



## BOARD LEVEL COOLING - Channel 7025

Channel 7025 is a series of channel board level heat sinks designed to cool TO-220 and TO-220-single gauge devices. Representative image only.



## ORDERING INFORMATION

Part Number	Device Type
7025BG	TO-220, TO-220-single gauge
7025B-MTG	TO-220, TO-220-single gauge

## HEAT SINK DETAILS

Property	Details
Material	Aluminum
Finish	Black Anodize
Device Attachment Options	Requires Mounting Kit
Thermal Interface Material	-

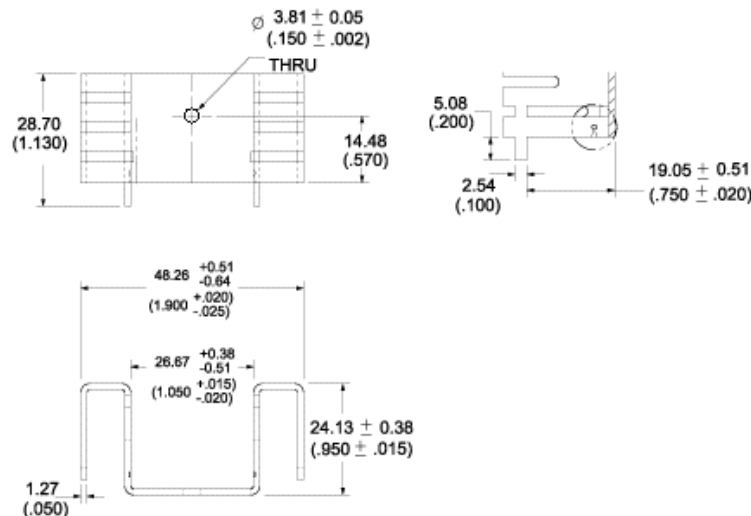
Property	Details
Heat Sink Width (mm)	48.26
Heat Sink Length (mm)	24.13
Heat Sink Height (mm)	23.62
Heat Sink Mounting Direction	Vertical

## MECHANICAL & PERFORMANCE

Drawing dimensions are shown in mm, (in)

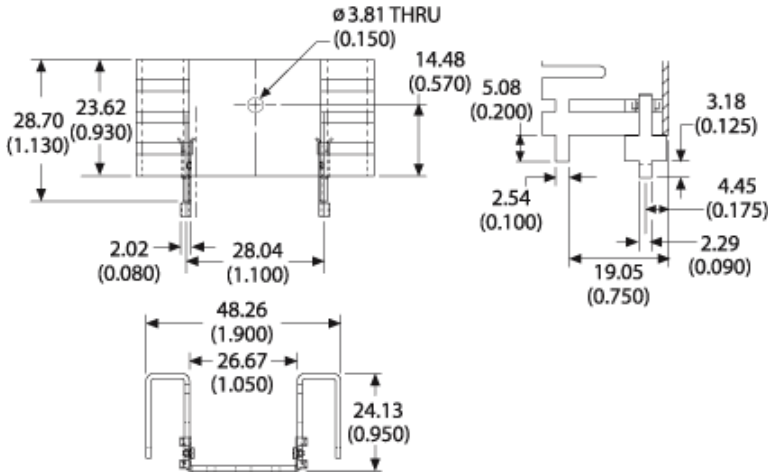
Part Number	"X" Dim	"Y" Dim	"Z" Dim
7025BG	-	-	-
7025B-MTG	13.97 (0.550)	3.18 (0.125)	3.10 (0.122)

Part Number: 7025BG

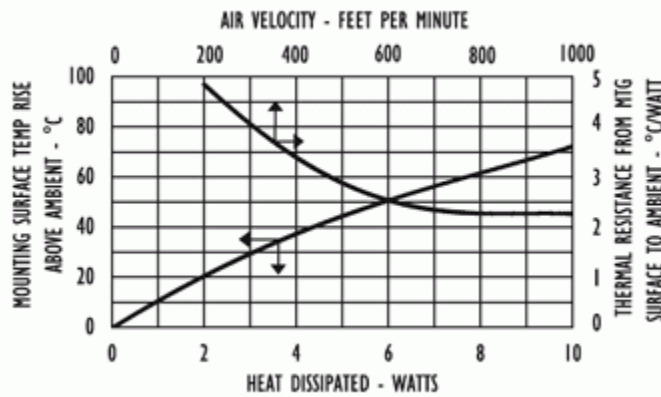
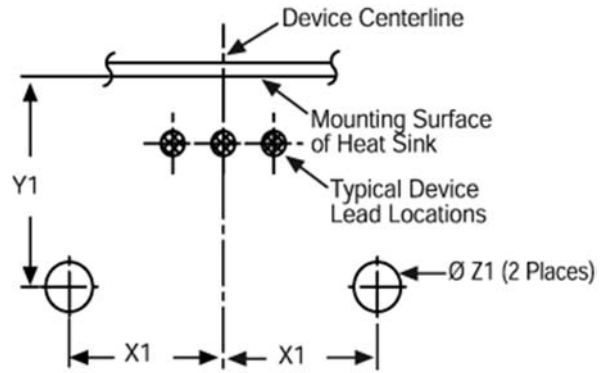


# Board Level Cooling – Channel 7025

Part Number: 7025B-MTG



*Mounting Details:*



# Mouser Electronics

Authorized Distributor

Click to View Pricing, Inventory, Delivery & Lifecycle Information:

[Aavid Thermalloy:](#)

[7025B-MTG](#) [7025BG](#)