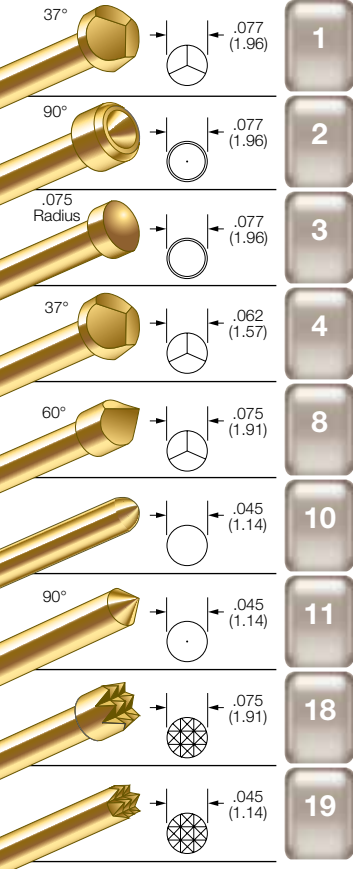


# SERIES SS & GSS .100 CENTERS

## BeCu PLUNGER TIPS



## PROBE SPECIFICATIONS

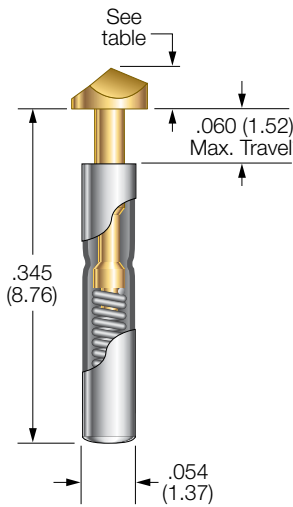
**Minimum Centers:** .100 (2.54)  
**Current Rating:** 3 amps continuous  
**Spring Force:** 3.8 or 7.0 oz. @ .050 (1.27) travel  
**Typical Resistance:**  
 SS: < 65 mΩ  
 GSS: < 30 mΩ  
**Maximum Travel:** .060 (1.52)  
 \*for SS-8 .050 (1.27)  
**Working Travel:** .050 (1.27)

Rated Force oz (g)	Preload oz (g)	Material
3.8 (108)	1.6 (45)	SS
7.0 (198)	1.3 (37)	MW

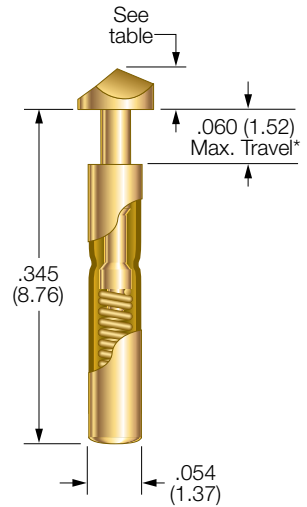
## MATERIALS

**Barrel:**  
 SS: Nickel/silver  
 GSS: Nickel/silver, gold plated  
**Spring:** SS: Stainless steel or music wire  
 GSS: Stainless steel or music wire, gold plated  
**Plunger:** Beryllium copper, gold plated over nickel  
**Receptacle:** Nickel/silver

## SS-100 PROBE



## GSS-100 PROBE



## HEAD LENGTH BY TIP STYLE - SS & GSS PROBE

TIP	HEAD LENGTH	TIP	HEAD LENGTH
1	.040 (1.02)	10	.028 (0.71)
2	.028 (0.71)	11	.040 (1.02)
3	.028 (0.71)	18	.060 (1.52)
4	.040 (1.02)	19	.055 (1.40)
8	.080 (2.03)		

## RECEPTACLE OPTIONS

Part Number	Style	Receptacle Length	Probe/Receptacle Combined Length	Comments
RSS-100-CR	Crimp	0.475 (12.07)	0.550 (13.97)*	—
RSS-100-NT	No Tail	0.402 (10.21)	0.462 (11.73)*	—
RSS-100-RP	Round Post	0.625 (15.88)	0.685 (17.40)*	.220 post length - .028 dia.
RSS-100-WW	Wire Wrap	0.822 (20.88)	0.882 (22.40)*	.420 post length - .025 sq.

\* Plus head length per tip style from chart

## HOW TO ORDER: SPRING CONTACT PROBE

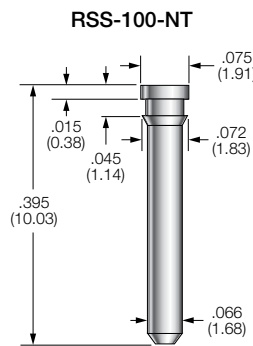
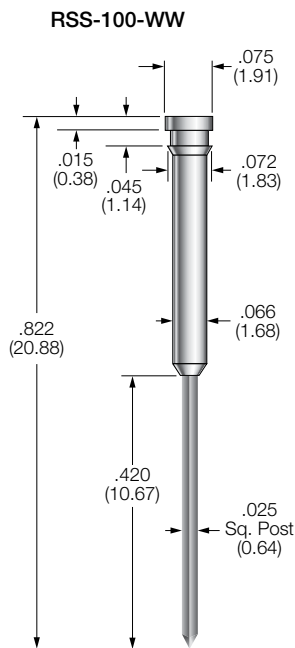
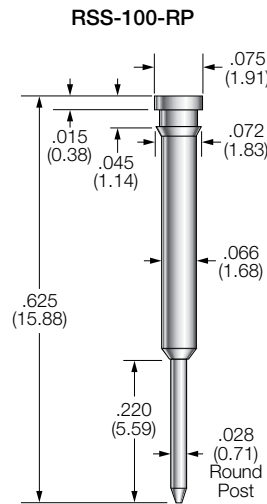
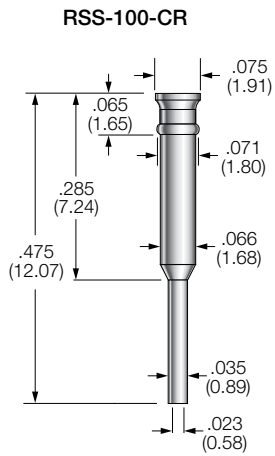
## RECEPTACLE

<b>SS</b> SERIES	<b>1</b> TIP STYLE	<b>3.8</b> SPRING FORCE	<b>G</b> PLATING OPTIONS	<b>RSS</b> SERIES	<b>100</b> SIZE	<b>WW</b> TERMINATION
<b>SERIES:</b> SS: NICKEL/SILVER BARREL GSS: GOLD PLATED BARREL			<b>SPRING FORCE:</b> 3.8 oz. @ .050 (1.27) TRAVEL 7.0 oz. @ .050 (1.27) TRAVEL			<b>TERMINATIONS:</b> CR: CRIMP RP: ROUND POST NT: NO TAIL WW: WIRE WRAP
CRIMPING PLIERS: CPSS100			INSERTION TOOL: RTSS100			

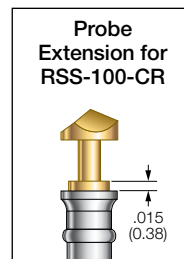
VIEW UPDATES OF THIS INFORMATION AT [WWW.IDINET.COM](http://WWW.IDINET.COM)

Specifications subject to change without notice. Dimensions in inches (millimeters)

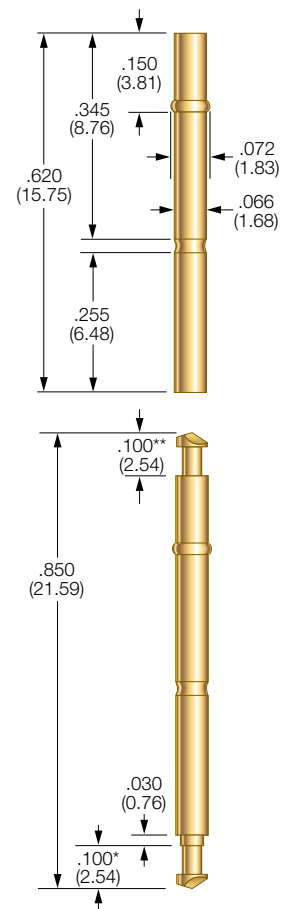
## RSS-100 RECEPTACLES



**Drill Size: #50**  
**Mounting Hole Size: .068/.070 (1.73/1.78)**  
**Recommended Wire: 28-30 gage**



## R-SS/SS RECEPTACLE



\* For plunger with .040 (1.02) tip length  
 \*\* Headed plunger only this end

### RECEPTACLE OPTIONS

**Minimum Centers: .100 (2.54)**  
**Drill Size: #50**  
**Mounting Hole Size: .068/.070 (1.73/1.78)**

### MATERIALS

**Standard Series:**  
 Nickel/silver

**High Performance Series:**  
 Nickel/silver, gold plated

This receptacle houses an SS100 or GSS100 on each end.

### HOW TO ORDER

**STANDARD SERIES:**  
 RS-SS/SS  
**HIGH PERFORMANCE:**  
 R-SS/SS

Specifications subject to change without notice. Dimensions in inches (millimeters)

# Mouser Electronics

Authorized Distributor

Click to View Pricing, Inventory, Delivery & Lifecycle Information:

[Smiths Interconnect:](#)

[GSS-19-3.8-G S/C W/HOLE SS SPGS .400 OAL](#) [GSS-3-7-G S/C W/HOLE .373 OAL](#) [GSS-4-3.8-G S/C W/HOLE .385 OAL](#) [GSS-10-3.8-G S/C OAL](#) [GSS-10-7-G S/C W/HOLE .373 OAL](#) [GSS-11-3.8-G S/C OAL](#) [GSS-11-7-G S/C OAL](#) [GSS-1-3.8-G S/C W/HOLE .385 OAL](#) [GSS-1-7-G S/C W/HOLE .385 OAL](#) [GSS-18-3.8-G S/C W/HOLE .405 OAL](#) [GSS-18-7-G S/C OAL](#) [GSS-19-7-G S/C OAL](#) [GSS-2-3.8-G S/C OAL](#) [GSS-2-7-G S/C W/HOLE .373 OAL](#) [GSS-4-7-G](#) [GSS-8-3.8-G S/C W/HOLE .415 OAL](#) [GSS-8-7-G S/C W/HOLE .415 OAL](#) [GSS-9-3.8-G S/C W/HOLE .395 OAL](#) [GSS-9-7-G S/C W/HOLE .395 OAL](#) [100165-047-952](#) [100165-038-952](#) [100165-031-952](#) [100165-033-952](#) [100165-045-952](#) [GSS-10-7-G](#) [GSS-2-7-G](#) [GSS-1-3.8-G](#) [GSS-1-7-G](#) [GSS-4-3.8-G](#) [GSS-8-3.8-G](#) [GSS-8-7-G](#)