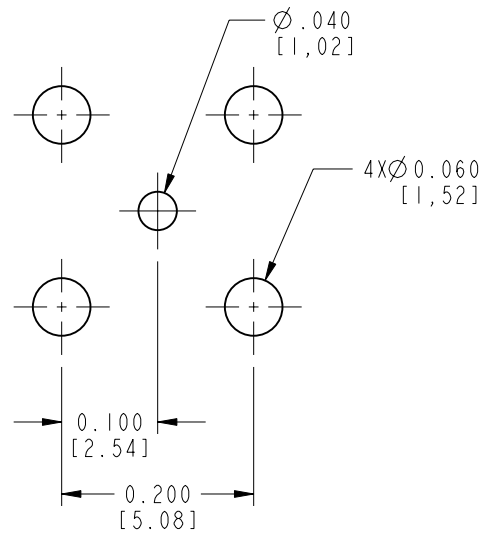


NOTES:

1. MATERIALS AND FINISHES:
 BODY - BRASS, GOLD PLATING
 CONTACT - BRASS, GOLD PLATING
 INSULATOR - PTFE
2. ELECTRICAL:
 A. IMPEDANCE: 50 OHM
 B. FREQUENCY RANGE: DC 2-4 GHz
3. MECHANICAL:
 A. DURABILITY: 500 CYCLES MIN.
 B. TEMPERATURE RANGE: -65° C TO +165° C
4. PACKAGING:
 A. QUANTITY: SINGLE PACK
 B. MARKING: BAG TO BE MARKED
 "AMPHENOL, 903-415J-51P, AND DATE CODE"

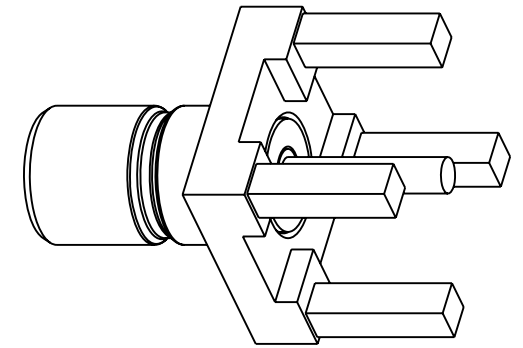


RECOMMENDED PCB MOUNTING DIMENSIONS

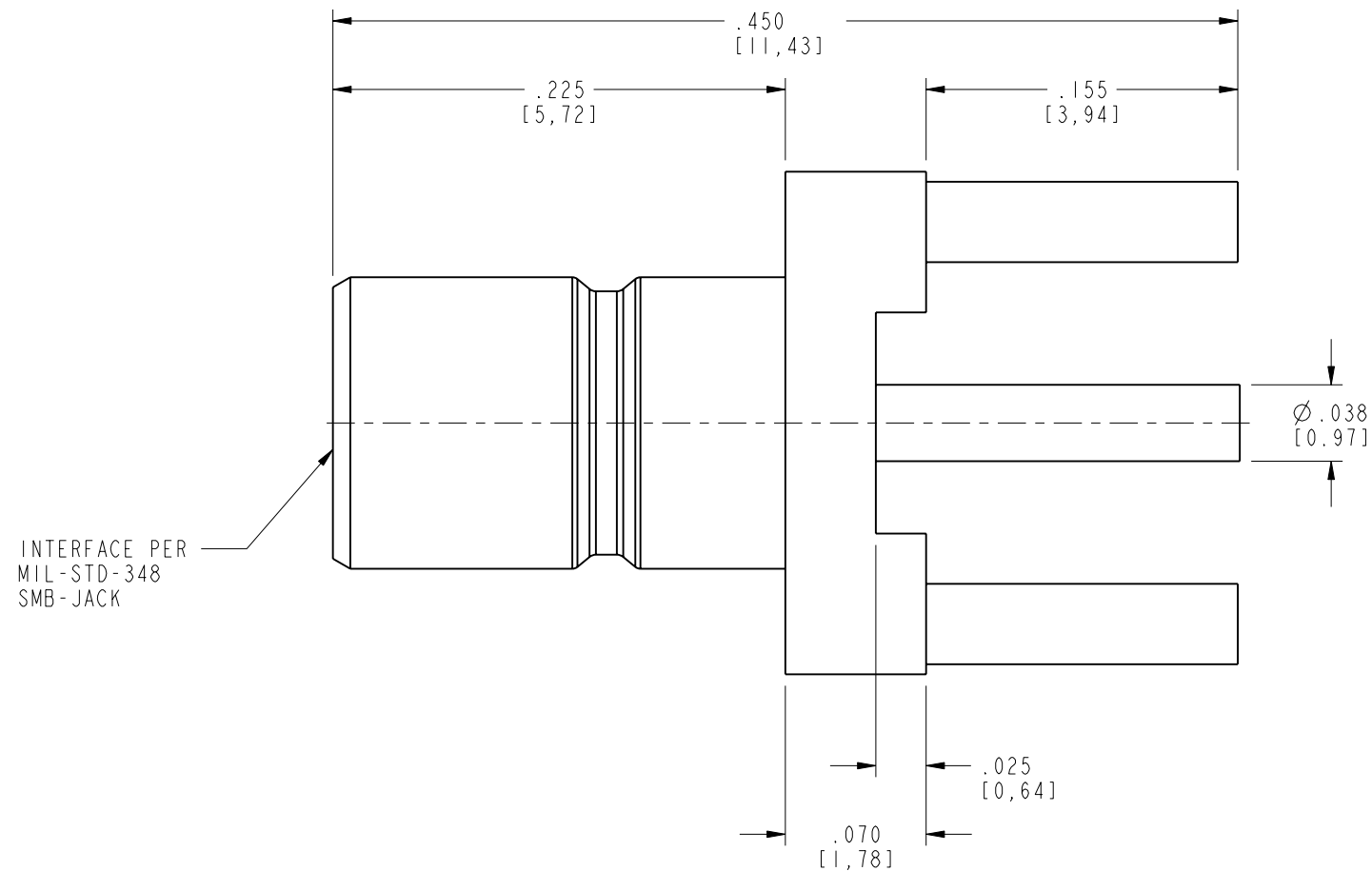
THIRD ANGLE PROJ.

REVISIONS

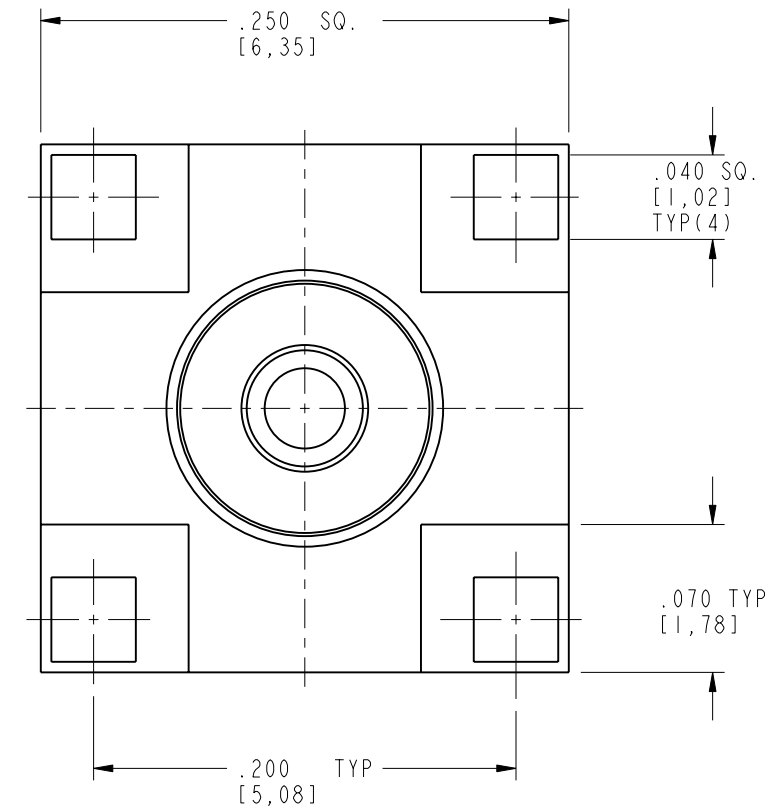
REV	DESCRIPTION	DATE	ECO	APPR
A	RELEASE TO MFG	--	--	--
E	SEE SHEET 1	12/14/10	47746	KR
F	UPDATED FORMAT AND ADDED DUAL DIMENSIONS	29-Sep-11	48800	SH
G	ADD ASSEMBLE STANDARD	29-Oct-12	49272	SH



SCALE 5.000



INTERFACE PER MIL-STD-348 SMB-JACK



CUSTOMER OUTLINE DRAWING
 ALL OTHER SHEETS ARE FOR INTERNAL USE ONLY

UNLESS OTHERWISE SPECIFIED, DIMENSIONS ARE IN METRIC AND TOLERANCES ARE: <0.5mm ±0.05mm 0.5 - 6mm ±0.1mm 6 - 30mm ±0.2mm 30 - 120mm ±0.3mm ANGLES ±1°	MATERIAL	DRAWN F. WANG	DATE 27-Sep-11	TITLE SMB JACK PCB MOUNT	Amphenol RF Danbury CT USA, Tainan, Taiwan, Shenzhen, China www.amphenolrf.com
	NOTICE - These drawings, specifications, or other data (1) are, and remain the property of Amphenol corp. (2) must be returned upon request; and (3) are confidential and not to be disclosed to any person other than those to whom they are given by Amphenol Corp. the finishing of these drawings, specifications, or other data by Amphenol Corp., or to any other person to anyone for any purpose is not to be regarded by implication or otherwise in any manner licensing, granting rights to permitting such holder or any other person to manufacture, use or sell any product, process or design, patented or otherwise, that may in any way be related to or disclosed by said drawings, specifications, or other data.	REFERENCE EAR 961399 3 615X-976-100	ENGINEER F. S. HULL		
FINISH		APPROVED S. HSIEH	DATE 27-Sep-11	ITEM NO. 903-415J-51P	
Root Folder/SMB/903-415J-51P		CAD FILE	SCALE: 11.0:1.0	SHEET 2 OF 2	PART NO. 903-415J-51P
		DWG SIZE B	REV G		

Mouser Electronics

Authorized Distributor

Click to View Pricing, Inventory, Delivery & Lifecycle Information:

[Amphenol:](#)

[903-415J-51P](#)