

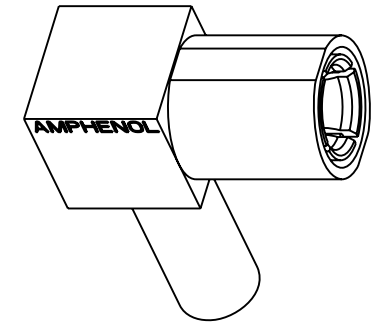
NOTES:

1. MATERIALS AND FINISHES:
 BODY- ZAMAK 3, GOLD PLATING
 OUTER CONTACT- BRASS, GOLD PLATING
 CONTACT - BERYLLIUM COPPER, GOLD PLATING
 INSULATOR - PTFE, NATURAL
2. ELECTRICAL:
 A. IMPEDANCE: 50 OHM
 B. FREQUENCY RANGE: DC 0-4 GHz
 C. VSWR(RETURN LOSS): 1.5, MAX.
 D. DIELECTRIC WITHSTANDING VOLTAGE: 1000 VRMS, MIN.
3. MECHANICAL:
 A. DURABILITY: 500 CYCLES MIN.
 B. TEMPERATURE RANGE: -65° C TO +165° C
4. CRIMPED FERRULE
 HEX CRIMP SIZE .128"
5. CONTACT PIN TO SOLDER

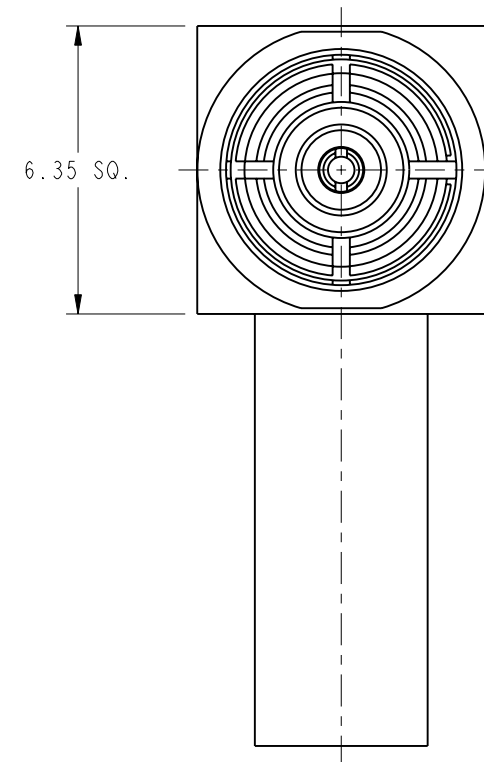
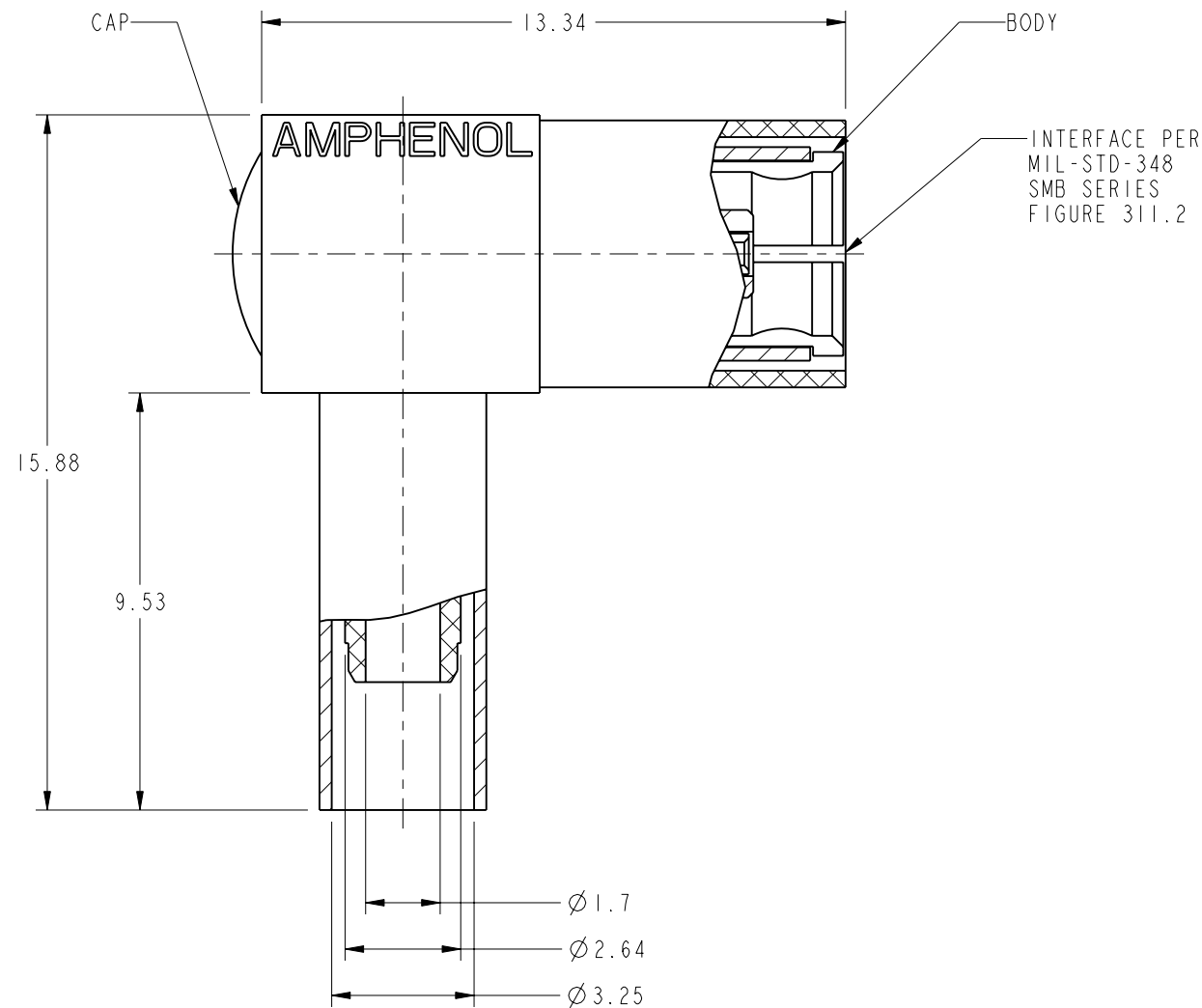
THIRD ANGLE PROJ.

REVISIONS

REV	DESCRIPTION	DATE	ECO	APPR
A	RELEASE TO MFG.	13-Jun-94	39999	PB/RAV
C	CAP AND BODY WERE CHANGED\RD-DM11030101I	15-Mar-11	48113	SH



SCALE 3.000



CUSTOMER OUTLINE DRAWING

ALL OTHER SHEETS ARE FOR INTERNAL USE ONLY

UNLESS OTHERWISE SPECIFIED, DIMENSIONS ARE IN METRIC AND TOLERANCES ARE:
 <0.5mm ±0.05mm 0.5 - 6mm ±0.1mm 6 - 30mm ±0.2mm 30 - 120mm ±0.3mm ANGLES ±1°

NOTICE - These drawings, specifications, or other data (1) are, and remain the property of Amphenol corp. (2) must be returned upon request; and (3) are confidential and not to be disclosed to any person other than those to whom they are given by Amphenol Corp. the finishing of these drawings, specifications, or other data by Amphenol Corp., or to any other person to anyone for any purpose is not to be regarded by implication or otherwise in any manner licensing, granting rights to permitting such holder or any other person to manufacture, use or sell any product, process or design, patented or otherwise, that may in any way be related to or disclosed by said drawings, specifications, or other data.

MATERIAL	-
REFERENCE AND CONFIGURATION LEVEL:	
FINISH	

DRAWN	T.DENG	DATE	10-Mar-11
ENGINEER	R.VACCARO	DATE	11-Jun-94
APPROVED	S.HSIEH	DATE	15-Mar-11
CAD FILE			

TITLE	
SMB 50 OHM ANGLE PLUG FOR RG-316/U	
SCALE: 6.0:1.0	SHEET 2 OF 2
DWG SIZE	REV
B	C

Amphenol RF	
www.amphenolrf.com	
DRAWING NO. 903-289P-51A2	
ITEM NO. 903-289P-51A2	
PART NO. 903-289P-51A2	

Mouser Electronics

Authorized Distributor

Click to View Pricing, Inventory, Delivery & Lifecycle Information:

[Amphenol:](#)

[903-289P-51A2](#)