

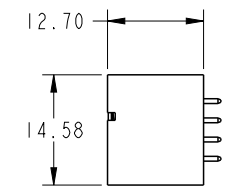
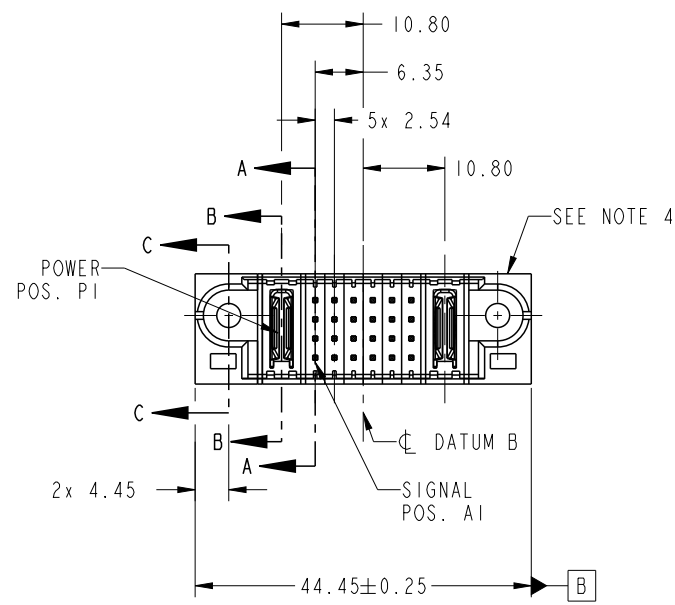
1

2

3

4

PRODUCT NO. 51710-059P -- NOTE ③	ROWS DCBA	POWER		SIGNAL						POWER	
		E1	P1	1	2	3	4	5	6	P2	E2



CODE	DIM "M" MATING LENGTH	CONTACT TYPE
PD	[N/A]	POWER
M	[6.86]	SIGNAL
N	[5.59]	SIGNAL



Copyright FCI.

spec ref	See Notes			dr	Ruan MT	2013/06/13	projection 	MM ←→	size	A4	scale	1:1
tolerance std	TOLERANCES UNLESS OTHERWISE SPECIFIED			eng	Ruan MT	2015/06/17			ecn no	ELX-DG-21183-1		
See Notes				chr	Fancy Zhang	2015/06/18				product family	PwrBlade	
surface ✓	linear	0.X	±0.50	www.fci.com	title	IP + 24S + IP VERTICAL SOLDER HEADER		dwg no	51710-059P		rev	B
		0.XX	±0.25									
angular	0°	±2°										
				cat. no.	&model_name	Product - Customer Drw			sheet 1 of 4			

ProE File - REV C - 2009-06-09

1

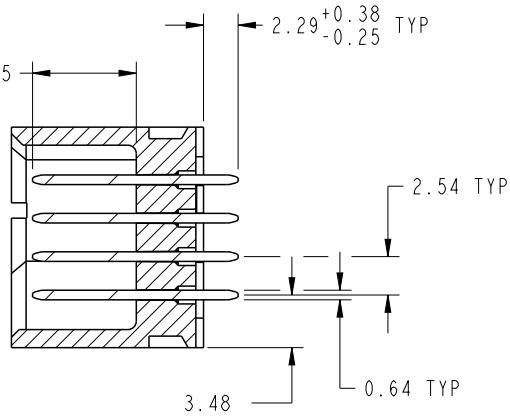
2

3

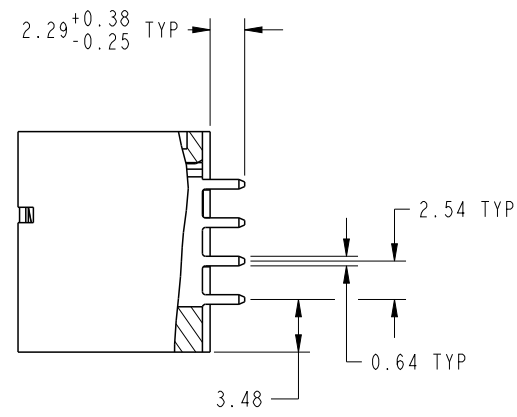
4

PRODUCT NUMBER  
51710-059P--  
NOTE 3

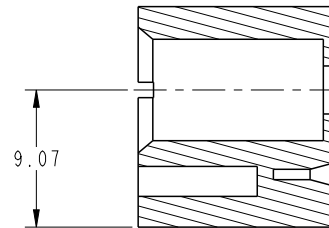
DIM "M" ±0.25



SECTION A-A  
SCALE 2:1



SECTION B-B  
SCALE 2:1

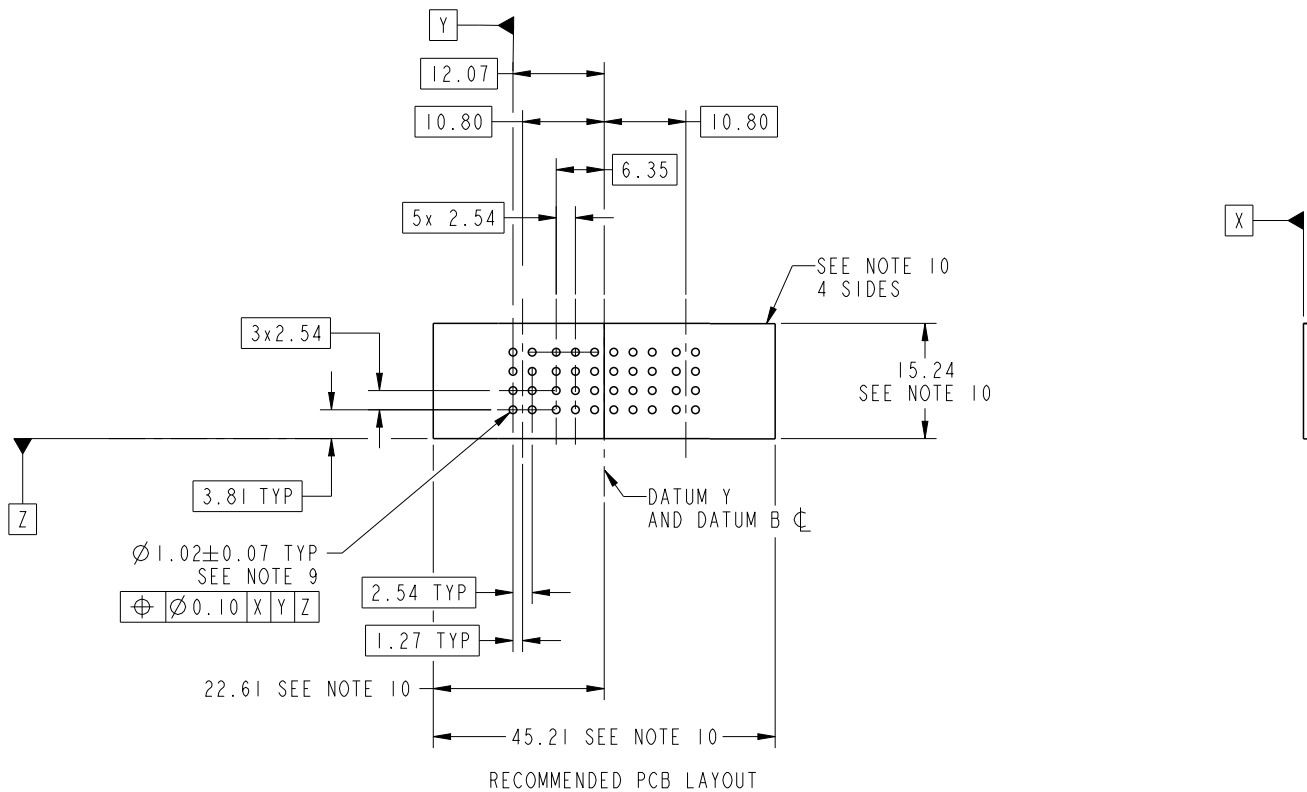


SECTION C-C  
SCALE 2:1

dr	Ruan MT	2013/06/13	projection 	MM 	size	A4	scale	1:1	
eng	Ruan MT	2015/06/17			ecn no	ELX-DG-21183-1			
chr	Fancy Zhang	2015/06/18			rel level	Released			
appr	Pei-Ming Zheng	2015/06/18	product family	PwrBlade					
		title	IP + 24S + IP VERTICAL SOLDER HEADER		dwg no	51710-059P		rev	B
www.fci.com	cat. no.	&model_name	Product - Customer Drw			sheet 2 of 4			

PRODUCT NUMBER

51710-059P--  
NOTE 3



dr	Ruan MT	2013/06/13	projection 	MM 	size	A4	scale	1:1			
eng	Ruan MT	2015/06/17			ecn no	ELX-DG-21183-1					
chr	Fancy Zhang	2015/06/18			product family	PwrBlade	rel level	Released			
appr	Pei-Ming Zheng	2015/06/18	www.fci.com		title	IP + 24S + IP VERTICAL SOLDER HEADER		dwg no	51710-059P	rev	B
			cat. no.	&model_name	Product - Customer Drw			sheet 3 of 4			



Copyright FCI.

PRODUCT NUMBER

51710-059P--  
NOTE 3

NOTES:

1. DIMENSIONS AND TOLERANCES ARE IN ACCORDANCE WITH ASME Y14.5M, 1994 UNLESS OTHERWISE SPECIFIED.

CONNECTOR NOTES:

② HOUSING MATERIAL: UL 94 V-0 GLASS FILLED HIGH-TEMP THERMOPLASTIC WHICH CAN WITHSTAND EXPOSURE TO 260°C PEAK TEMPERATURE FOR 10 SECONDS IN A CONVECTION INFRA-RAD OR VAPOR PHASE REFLOW OVEN.  
POWER CONTACT MATERIAL: COPPER ALLOY  
SIGNAL PIN MATERIAL: COPPER ALLOY

3. SEE ITEM 1 & 2 IN PRINT 10064183 FOR PLATING SPEC OF 51710-059P AND 51710-059PLF RESPECTIVELY EXCEPT SOLDERING INFORMATION, SOLDERING INFORMATION REFER TO ABOVE NOTE 2.

④ MANUFACTURER'S NAME, DATE CODE AND OPTIONAL P/N TO APPEAR ON THIS SURFACE. THE MARK CAN BE OMITTED IF THERE IS NOT ENOUGH SPACE ON THIS SURFACE.

5. PRODUCT SPECIFICATION GS-12-149.  
APPLICATION SPECIFICATION BUS-20-067 EXCEPT SOLDERING INFORMATION, SOLDERING INFORMATION REFER TO ABOVE NOTE 2.

6. PACKAGED IN TRAYS.

PCB NOTES:

7. ALL HOLE DIAMETERS ARE FINISHED HOLE SIZE.

8. MOUNTING HOLES, WHERE APPLICABLE, ARE UNPLATED.

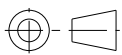
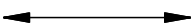

⑨  $\varnothing 1.151 \pm 0.025$  DRILLED HOLES PLATED WITH 0.008 MIN SnPb OR Sn OVER .001 [0.03] TO 0.08 Cu PLATING TO ACHIEVE  $\varnothing 1.02 \pm 0.07$  HOLE.

⑩ CONNECTOR KEEP-OUT ZONE.

11.  SYMBOL WILL BE NEXT TO ANY DIMENSION, VIEW, OR NOTE WHICH HAS BEEN MODIFIED WITH THE CURRENT DRAWING REVISION.



Copyright FCI.

dr	Ruan MT	2013/06/13	projection 	MM 	size	A4	scale	1:1
eng	Ruan MT	2015/06/17			ecn no	ELX-DG-21183-1		
chr	Fancy Zhang	2015/06/18			product family	PwrBlade	rel level	Released
appr	Pei-Ming Zheng	2015/06/18			rev	51710-059P		B
		title IP + 24S + IP VERTICAL SOLDER HEADER			dwg no 51710-059P			
www.fci.com	cat. no.	&model_name	Product - Customer Drw			sheet 4 of 4		

# Mouser Electronics

Authorized Distributor

Click to View Pricing, Inventory, Delivery & Lifecycle Information:

[FCI / Amphenol:](#)

[51710-059PLF](#)