

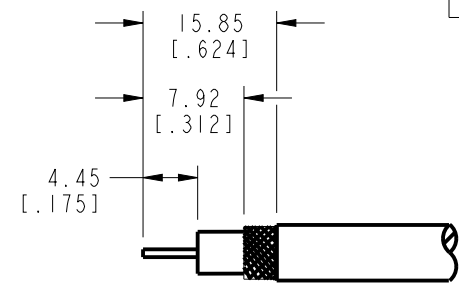
NOTES:

1. MATERIALS AND FINISHES:  
 BODY - BRASS, NICKEL PLATING  
 CONTACT PIN - BRASS, GOLD PLATING  
 INSULATOR - PTFE, NATURAL
2. ELECTRICAL:  
 A. IMPEDANCE: 75 OHM  
 B. FREQUENCY RANGE: DC - 12 GHz  
 C. RETURN LOSS: 30 dB MIN @ DC - 6 GHz  
                   15 dB MIN @ 6 - 12 GHz  
 D. DIELECTRIC WITHSTANDING VOLTAGE: 1500 VRMS, MIN.
3. MECHANICAL:  
 A. DURABILITY: 500 CYCLES MIN.  
 B. TEMPERATURE RANGE: -30° C TO + 75° C
4. CRIMPED FERRULE  
 HEX. CRIMP SIZE .178'
5. CRIMPED CONTACT PIN  
 HEX. CRIMP SIZE .042'

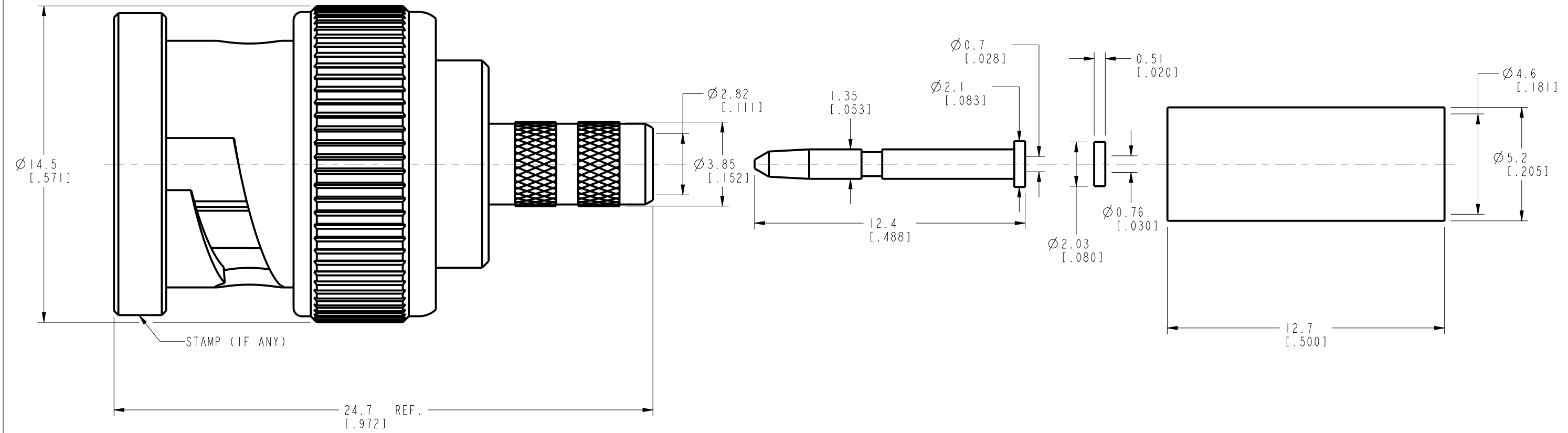
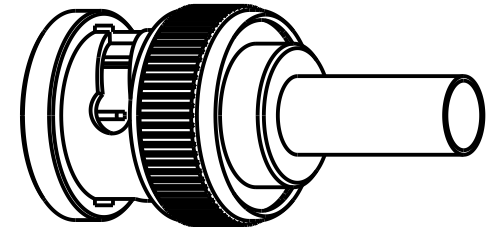
THIRD ANGLE PROJ.

REVISIONS

REV	DESCRIPTION	DATE	ECO	APPR
A	RELEASE TO MFG.	30-Mar-17	03362	KCE



RECOMMENDED CABLE AND STRIPPING LENGTH  
 NOT TO SCALE



**CUSTOMER OUTLINE DRAWING**  
 ALL OTHER SHEETS ARE FOR INTERNAL USE ONLY

UNLESS OTHERWISE SPECIFIED, DIMENSIONS ARE IN METRIC AND TOLERANCES ARE:  
 <0.5mm ±0.05mm    0.5 - 6mm ±0.1mm    6 - 30mm ±0.2mm    30 - 120mm ±0.3mm    ANGLES ±1°

NOTICE - These drawings, specifications, or other data (1) are, and remain the property of Amphenol corp. (2) must be returned upon request; and (3) are confidential and not to be disclosed to any person other than those to whom they are given by Amphenol Corp. the furnishing of these drawings, specifications, or other data by Amphenol Corp., or to any other person to anyone for any purpose is not to be regarded by implication or otherwise in any manner licensing, granting rights to permitting such holder or any other person to manufacture, use or sell any product, process or design, patented or otherwise, that may in any way be related to or disclosed by said drawings, specifications, or other data.

MATERIAL	---	DRAWN	K. ELMES	DATE	13-Mar-17	TITLE	BNC CRIMP PLUG-75 OHM (BELDEN 1855A/4855R CABLE)	Amphenol RF www.amphenolrf.com	
REFERENCE	EAR# ---- AND EXP#	ENGINEER	K. ELMES	DATE	13-Mar-17				DRAWING NO.
CONFIGURATION LEVEL:	In Work	APPROVED	K. CAPOZZI	DATE	30-Mar-17	SCALE:	2.0:1.0	SHEET	2 OF 2
FINISH		CAD FILE				DWG SIZE	B	REV	A
								ITEM NO.	31-70537-12G
								PART NO.	31-70537-12G

# Mouser Electronics

Authorized Distributor

Click to View Pricing, Inventory, Delivery & Lifecycle Information:

[Amphenol:](#)

[031-70537-12G](#)