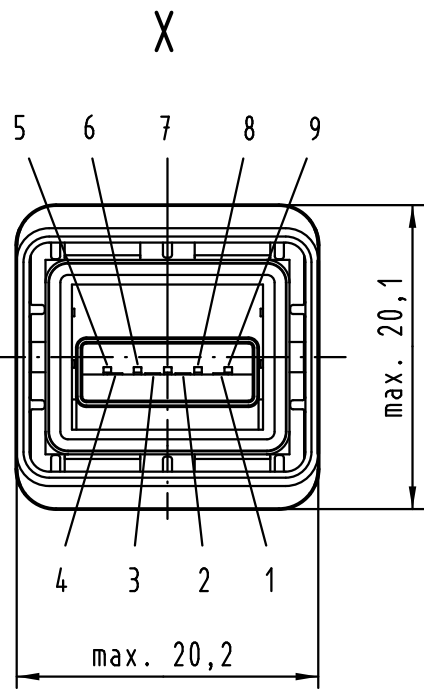
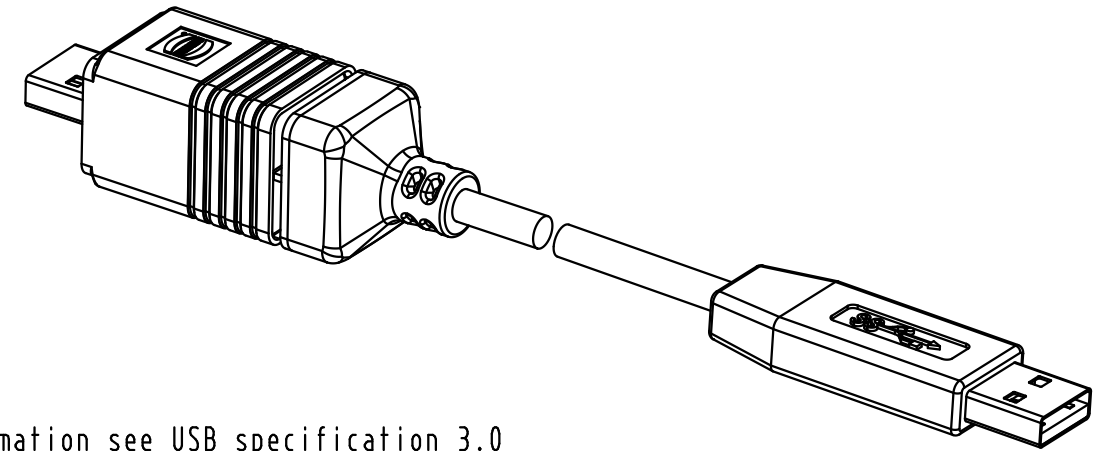
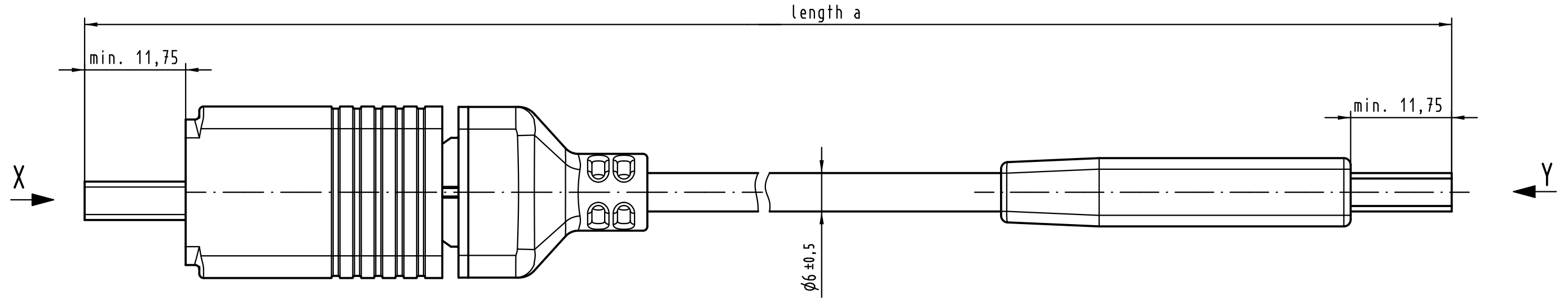
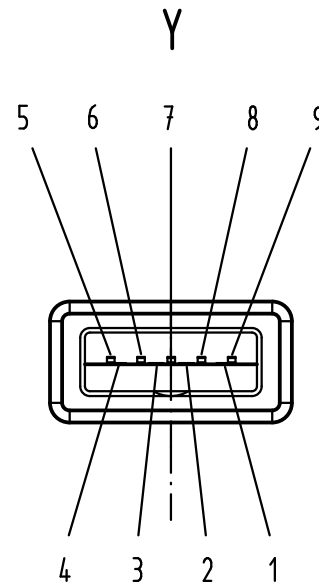


Alle Rechte vorbehalten/ All rights reserved



loading-plan

- V Bus 1 — 1
- D- 2 — 2
- D+ 3 — 3
- GND 4 — 4
- StdA_SSRX- 5 — 5
- StdA_SSRX+ 6 — 6
- GND_DRAIN 7 — 7
- StdA_SSTX- 8 — 8
- StdA_SSTX+ 9 — 9



further information see USB specification 3.0
www.usb.org

no.	part-no.	description	length a [meter]
6	09 45 145 2915	USB 3.0, Type A, PushPull - IP20	5,0 m
5	09 45 145 2914	USB 3.0, Type A, PushPull - IP20	3,0 m
4	09 45 145 2913	USB 3.0, Type A, PushPull - IP20	2,0 m
3	09 45 145 2912	USB 3.0, Type A, PushPull - IP20	1,5 m
2	09 45 145 2911	USB 3.0, Type A, PushPull - IP20	1,0 m
1	09 45 145 2910	USB 3.0, Type A, PushPull - IP20	0,5 m

	All Dimensions in mm Original Size DIN A 3			Techn. Character.			Nicht tolerierte Maß/Free size tolerances				
							2:1	HARTING PushPull V4 USB 3.0 Type A PushPull - IP20			
36366 Mod.			HARTING Electronics GmbH & Co. KG D-32339 ESPELKAMP						TB 09 45 145 291x		Blatt/ page Sub.

Mouser Electronics

Authorized Distributor

Click to View Pricing, Inventory, Delivery & Lifecycle Information:

[HARTING:](#)

[09451452912](#)