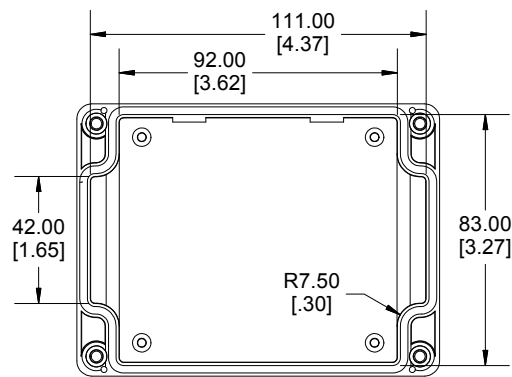
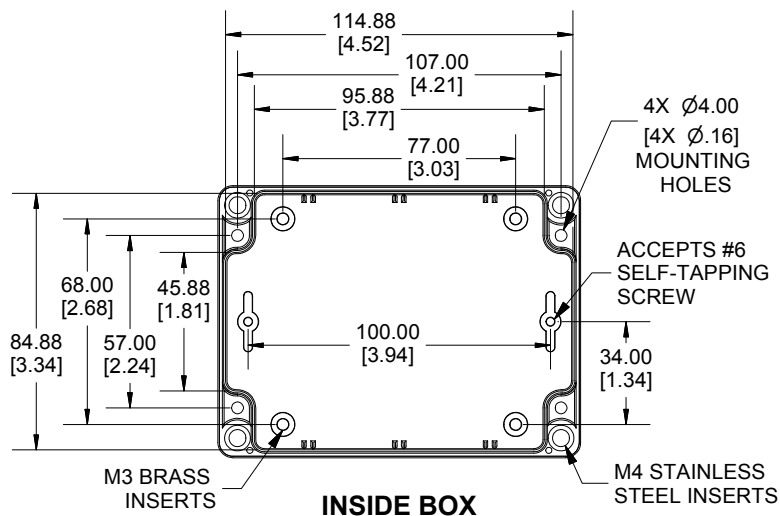


Enclosures can be Factory Modified (Milling, Drilling, Printing etc.)
 Contact Factory mjm@hammondmg.com for quotes
 Solid models of this enclosure available in STEP or IGES.
 (Part number and text placement/orientation on our products are subject to change.
 We do not recommend using them as a locating reference for modification purposes)

NOTE	
Purchased assembly includes box, styled lid, 4 cover screws, and preformed silicone gasket.	
General Purpose ABS version is not UL approved. (Matl UL94 - HB)	
Polycarbonate version is UL 508 approved. (Matl UL94 - 5VA @ 3mm)	
Recommended Cover screw torque -- 2.5 lbf-in (30 cN-m)	



Dimensions:
mm
[inches]

1555F	
1555F Regular Enclosure	
General Purpose ABS RAL-7035	1555FGY
Polycarbonate RAL-7035	1555F2GY
ACCESSORIES	
Steel Inner Panels	1554FPL
Steel Panel / P.C. Board Machine Screw [M3 x 8mm Plated]	1591MM100
Steel Panel / P.C. Board Self Tapping Screw [#6 X 1/4" (6.4mm) Plated]	1598ATS100
Cover Screws (Pkg 4) [M4 X 20mm Stainless Steel]	SC1554
Silicone Pre-formed Gasket Black	1554FGASKET

1555F
www.hammondmg.com

Mouser Electronics

Authorized Distributor

Click to View Pricing, Inventory, Delivery & Lifecycle Information:

[Hammond:](#)

[1555FGY](#) [1555F2GY](#) [1555FFPL](#)