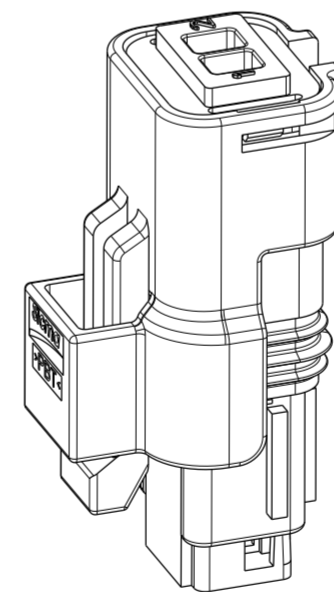


CONNECTEUR CONFORME A LA SPECIFICATION PRODUIT FE PS 04 032 REV 01  
 CONDITIONNEMENT SUIVANT NORME E 73.03.150.G  
 MASSE DU PRODUIT LIVRABLE=5g (ISOLANT + GRILLE + GROMMET + JOINT)  
 DIAMETRE DE FILS: MINI 1.40  
 MAXI 2.80  
 CONNECTOR IN ACCORDANCE WITH THE PRODUCT SPECIFICATION FE PS 04 032 REV 01  
 PACKAGING FOLLOWING STANDARD 73.03.150.G  
 MASS OF AVAILABLE PRODUCT = 5g (HOUSING + TPA +MATE SEAL + INTERFACIAL SEAL)  
 DIAMETER OF WIRES : MINI 1.40  
 MAXI 2.80

- △ - CHARNIERE DE PLAQUETTE ARRIERE ABSENTE OU CASSE ADMISE
- PARTICULES DE SILICONE DANS LE GROMMET, BOUCHANT PARTIELLEMENT UN ORIFICE, ADMISE
- HINGE REAR PLATE ABSENT OR BROKEN ACCEPTED
- SILICONE PARTICLES IN THE GROMMET, PARTIALLY PLUGGING A HOLE, ADMITTED



**NOTE 1: WITH GREEN GROMMET AND BLUE SEAL**  
**NOTA 2 : PRECONISATION D'UTILISATION PU001**  
**NOTE 2 : USER'S MANUAL PU001**

BOUCHON	210 A 01 5 019	PBT NON CHANGE	VERT
PORTE-CLIPS	211 I 1 036	PBT NON CHANGE	MARRON
	211 I 2 036		ROUGE
	211 I 3 036		ORANGE
	211 I 5 036		VERT
	211 I 4 036		JAUNE
	211 I 8 036		GRIS
	211 I 6 036		BLEU
	211 I 9 036		BLANC
211 I 0 036	NOIR		
GRILLE	211 M 4 020	PBT 15% FV	JAUNE
GROMMET	211 M 108	SILICON AUTOLUBRIFIE	VERT
JOINT INTERFACIAL	211 M 075	SILICON 4% D' HUILE	BLEU
DESIGNATION	REF. MVL	MATIERE	COULEUR

										VUE F ±0.05
3.85	2.50	1.15	0.25	1.55	2.95	0.90PM 11.00PM	0.90PM 11.00PM			
NOIR	BLEU	GRIS	JAUNE	VERT	MARRON	BLANC	ROUGE	ORANGE	COULEUR	
211 PC 02 2 S 0 049	211 PC 02 2 S 6 049	211 PC 02 2 S 8 049	211 PC 02 2 S 4 049	211 PC 02 2 S 5 049	211 PC 02 2 S 1 049	211 PC 02 2 S 9 049	211 PC 02 2 S 2 049	211 PC 02 2 S 3 049	PART NO.	
D	D	D	D	D	D	D	D	D	PART REV.	
10768566	10768705	10768564	10787552	10779506	10768565	10787349	10787260	10787350	PART NO.	
03 (G)	03 (G)	03 (G)	03 (G)	03 (G)	03 (G)	03 (G)	03 (G)	03 (G)	PART REV.	DELPHI MVL

CONNECTIQUE SICMA

ECN-NO. NUMERO ECN		POSITION POSITION	CHANGE DESCRIPTION MODIFICATION	
PRODUCT SPEC. SPECIF. PRODUIT		PACKAGING SPEC. SPECIF. EMBALLAGE	APPLICATION SPEC. SPECIF. APPLICATION	COPYRIGHT DELPHI CORPORATION AND/OR ITS AFFILIATES. ALL RIGHTS RESERVED. REVISED THIS DRAWING IS THE PROPERTY OF DELPHI CORPORATION AND CONTAINS DELPHI CONFIDENTIAL INFORMATION. THE REPRODUCTION, DISTRIBUTION AND UTILIZATION OF THIS DOCUMENT OR ITS RELATED CAD DATA, AS WELL AS COMMUNICATION OF ANY CONTENT TO OTHERS, WITHOUT EXPRESS AUTHORIZATION, IS PROHIBITED.
TOLERANCES TOLERANCES		MATERIAL : MATIERE :	SEE TABLE	SURFACE FINISH ETAT DE SURFACE
COUNTERPART No. CONTRE-PARTIE N°		COLOUR : COULEUR :	SEE TABLE	DELPHI DELPHI PACKARD ELECTRICAL/ELECTRONIC ARCHITECTURE EPERNON, FRANCE
DO NOT MEASURE DRAWING NE PAS PRENDRE DE COTES		TOOL NO. OUTIL N°	ECO Loc. Code CODE B.E.	FE
CREATED BY CREE PAR	DATE DATE	NAME NOM	TITLE DESIGNATION	DRAWING NUMBER REF. PLAN
2002-07-18		CM	SEE NOTE	211FT0443
MODIFIED BY MODIF. PAR	DATE DATE	NAME NOM	PROJECT PROJET	REV. IND.
2013/04/19		F FAURIE	2 WAYS FEMALE CONNECTOR	G
CHECKED BY VERIF. PAR	DATE DATE	NAME NOM	ESR NO. NUMERO ESR	APPROVAL LEVEL NIV. D'APPROBATION
2013/04/22		S LACOTE	DOCUMENT UNDER PDS CONTROL DOCUMENT GERE SOUS P.D.S. NO MODIFICATION ALLOWED OUTSIDE (PAS DE MODIFICATION EN DEHORS)	1
APPROVED BY APPR. PAR	DATE DATE	NAME NOM	CAT. NO. NUMERO CAT.	2
2013/04/22		Pascal MENARD	See Table	3
FILE NAME NOM DE FICHIER	211FT0443			4

# Mouser Electronics

Authorized Distributor

Click to View Pricing, Inventory, Delivery & Lifecycle Information:

[Aptiv:](#)

[211PC022S0049](#) [211PC022S0049-B](#) [211PC022S1049](#) [211PC022S1049-B](#) [211PC022S3049](#) [211PC022S3049-B](#)  
[211PC022S4049](#) [211PC022S4049-B](#) [211PC022S5049](#) [211PC022S6049](#) [211PC022S8049](#) [211PC022S8049-B](#)  
[211PC022S9049-B](#) [211PC022S5049-B](#) [211PC022S2049](#) [211PC022S6049-B](#) [211PC022S2049-B](#) [211PC022S9049](#)