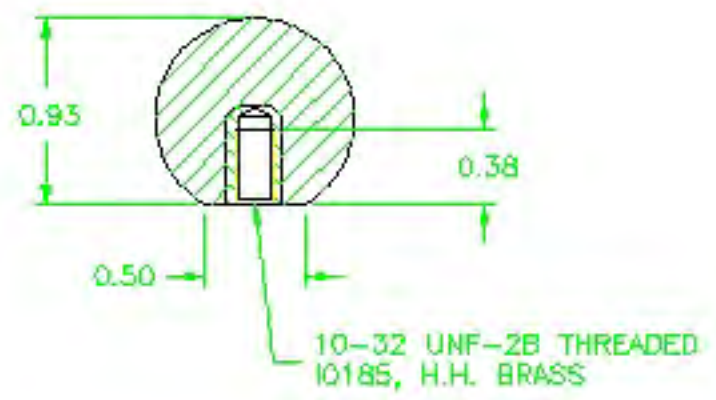


PART NAME: BALL KNOB SCALE: 1:1 DATE: 5/17/88 DR. BY: MS

DAVIES MOLDING COMPANY
CAROL STREAM, ILLINOIS 60188

P/N	0030-C
MNO.	30
PIN	3003-5
SHIMS	1/4+1/4(30-J)
INSERT	10185

THIS DRAWING IS THE PROPERTY OF DAVIES MOLDING COMPANY, IS SUBMITTED ONLY AS A DESIGN OR ENGINEERING PROJECT. WE ACCEPT NO RESPONSIBILITY WHATSOEVER FOR THE PRACTICAL APPLICATION OF THE PIECES MADE TO THIS DESIGN.



MATERIAL: #2311 PLENCO PHENOLIC
COLOR: BLACK

TOLERANCES: UNLESS OTHERWISE SPECIFIED	DO NOT SCALE DRAWING			
DECIMALS: X.XXX ± .005 X.XX ± .015	MM: X.XX ± 0.15MM X.X ± 0.4MM	-	RE-DID REDRAW	TL 10/4/88
FRACTIONS ± 1/64	ANG. ± 1'	-	CAD REDRAW	HD 7/28/82
CHANGES				

Mouser Electronics

Authorized Distributor

Click to View Pricing, Inventory, Delivery & Lifecycle Information:

[Davies Molding:](#)

[30-C](#)