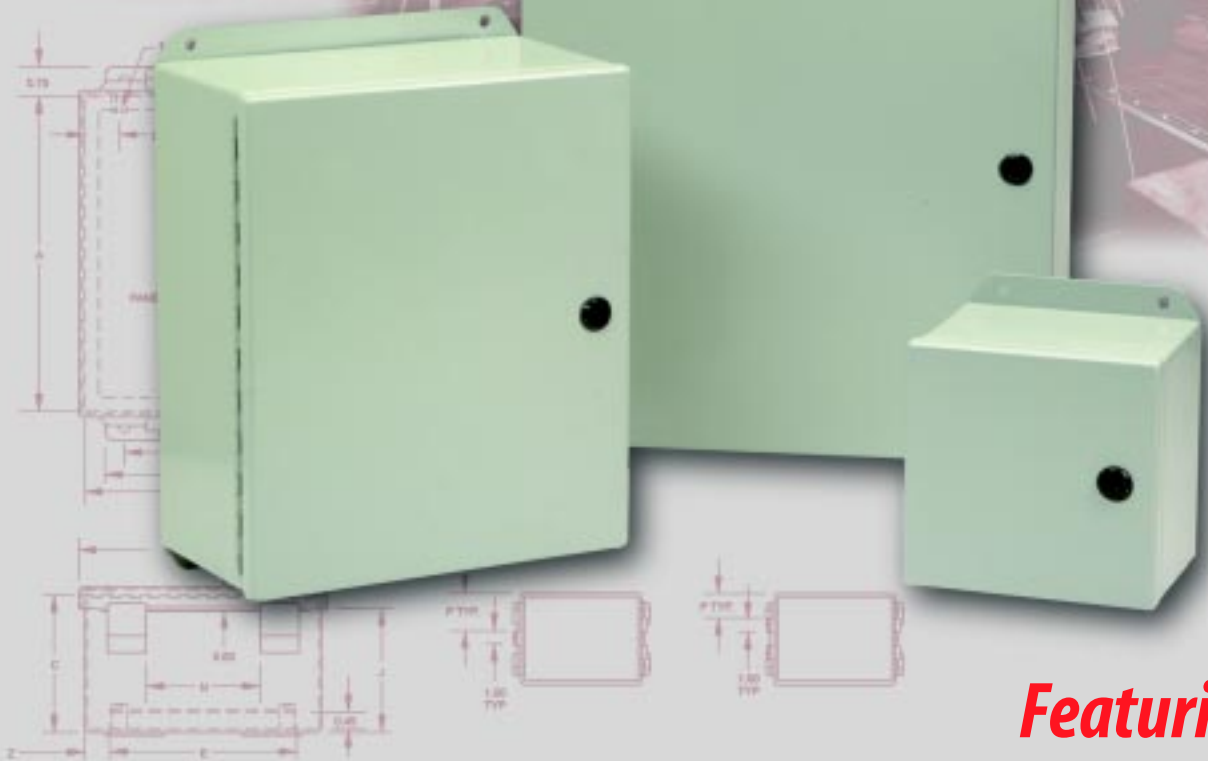




**HAMMOND
MANUFACTURING™**



ENCLOSURES



Eclipse Junior

***Modern Style Junction Boxes
EJ-01***

Featuring:

Integral Mounting Feet

FTC Lip

Quarter Turn Lock

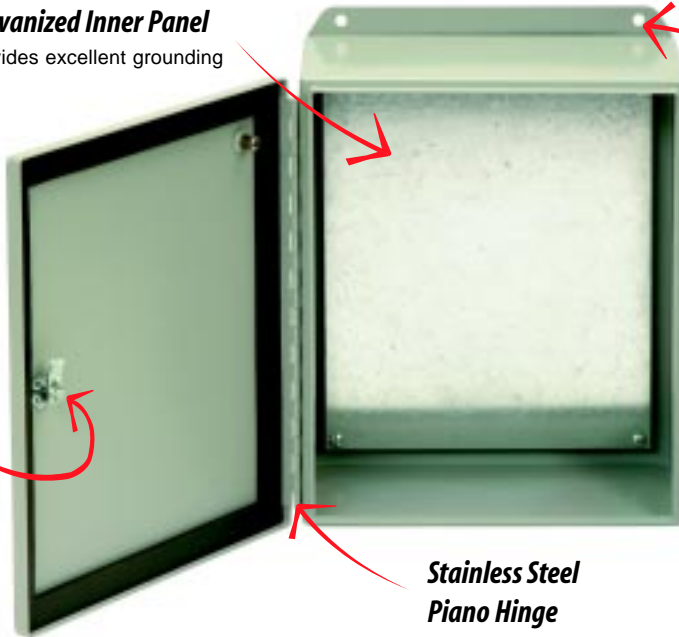
Galvanized Inner Panel

180° Door Opening

Eclipse Junior Series - NEMA 12, 13, 4 Single Door Enclosures

Industrial Enclosures
Wallmount Enclosures

Galvanized Inner Panel
provides excellent grounding



**Integral
Mounting Feet**
top and bottom

**Inner
Panel
Included**

NEMA

UL

SP

IEC

**Single
Quarter Turn
Lock**
easy to open and
close

FTC Lip
channels fluid away
from the gasket

**Stainless Steel
Piano Hinge**
provides 180° opening

Application

- Designed to enclose electrical and/or electronic equipment and protect against harsh, industrial environments.
- For use as instrument enclosures, electric, hydraulic or pneumatic control housings, electrical junction boxes or terminal wiring enclosures.
- Impressive styling features make the Eclipse Junior a suitable addition to any high-tech equipment installation.

Standards

- UL 508 Type 3R, 4, 12 and 13
- CSA Type 3R, 4, 12 and 13
- **Complies with**
 - NEMA Type 3R, 4, 12 and 13
 - IEC 529, IP66

Construction

- Body and cover are formed from 16 gauge steel.
- Smooth, continuously welded seams without knockouts, cutouts, or holes.
- Formed lip on enclosure to exclude flowing liquids and contaminants.
- 14 gauge welded brackets provide for enclosure mounting.
- Continuously hinged cover has 304 stainless steel hinges and provides 180° opening
- Door latches feature the added safety of quarter turn slot requiring use of tool for opening.
- Quarter turn latches formed from black zinc diecast.
- Oil resistant gaskets are permanently secured.
- Models larger than 4"x4" include a removable 14 gauge galvanized inner panel.
- Internal threaded weld studs are provided for mounting inner panels.
- A bonding stud is provided on the door and a grounding stud is provided on the enclosure.
- Includes grounding kit and a hardware kit with panel mounting screws.

Finish

- Cover and enclosure are finished in recoatable smooth ANSI/ASA 61 gray powder coating.
- Inner panels are unpainted galvanized steel.

Accessories

- Breather kits...see E-3 page **371**
- Filter fans...see E-3 page **358-365**
- Louvered ventilating plates
...see E-3 page **392**
- Padlocking provision
...see EJ-01 page **4**
- Terminal kit assemblies
...see E-3 page **382**
- Thermostats...see E-3 page **371**
- Window kits...see E-3 page **387**
- Wing knob lock...see EJ-01 page **4**

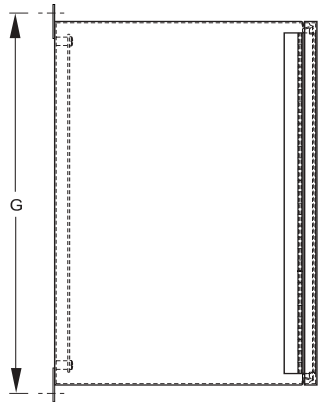
Modifications

- Consult the factory for the following modification possibilities:
 - paint color
 - size change
 - cutouts
 - and more....

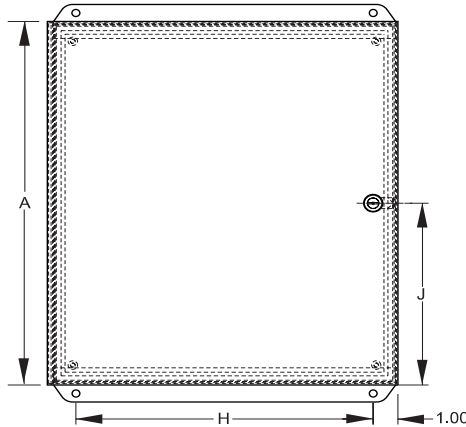
Eclipse Junior Series - NEMA 12, 13, 4

Single Door Enclosures

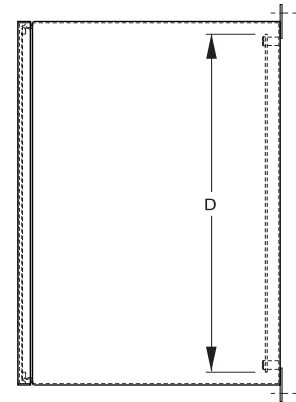
Industrial Enclosures



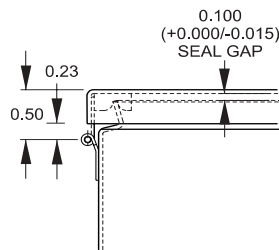
Hinge Side View



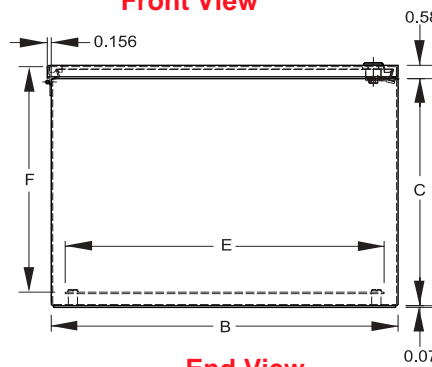
Front View



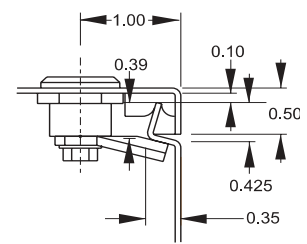
Latch Side View



Hinge Side



End View



Quarter Turn Latch

Part No.	Overall Dimensions			Panel Size				J	F	Ship Wt. lbs.
	A	B	C	H	G	D	E			
EJ443	4.00	4.00	3.00	2.00	4.75	—	—	2.00	—	2
EJ643	6.00	4.00	3.00	2.00	6.75	4.88	2.88	3.00	2.92	2
EJ683	6.00	8.00	3.50	6.00	6.75	4.88	6.75	3.00	3.42	5
EJ863	8.00	6.00	3.50	4.00	8.75	6.75	4.88	4.00	3.42	5
EJ444	4.00	4.00	4.00	2.00	4.75	—	—	2.00	—	3
EJ644	6.00	4.00	4.00	2.00	6.75	4.88	2.88	3.00	3.92	3
EJ664	6.00	6.00	4.00	4.00	6.75	4.88	4.88	3.00	3.92	4
EJ884	8.00	8.00	4.00	6.00	8.75	6.75	6.88	4.00	3.92	7
EJ8104	8.00	10.00	4.00	8.00	8.75	6.88	8.75	4.00	3.92	8
EJ1084	10.00	8.00	4.00	6.00	10.75	8.75	6.88	5.00	3.92	8
EJ1264	12.00	6.00	4.00	4.00	12.75	10.75	4.88	6.00	3.92	8
EJ10125	10.00	12.00	5.00	10.00	10.75	8.88	10.75	5.00	4.92	10
EJ12105	12.00	10.00	5.00	8.00	12.75	10.75	8.88	6.00	4.92	12
EJ866	8.00	6.00	6.00	4.00	8.75	6.75	4.88	4.00	5.92	7
EJ1086	10.00	8.00	6.00	6.00	10.75	8.75	6.88	5.00	5.92	10
EJ10106	10.00	10.00	6.00	8.00	10.75	8.75	8.88	5.00	5.92	12
EJ12126	12.00	12.00	6.00	10.00	12.75	10.75	10.88	6.00	5.92	15
EJ12146	12.00	14.00	6.00	12.00	12.75	10.88	12.75	6.00	5.92	17
EJ1486	14.00	8.00	6.00	6.00	14.75	12.75	6.88	7.00	5.92	10
EJ14126	14.00	12.00	6.00	10.00	14.75	12.75	10.88	7.00	5.92	17
EJ14166	14.00	16.00	6.00	14.00	14.75	12.88	14.75	7.00	5.92	21
EJ16106	16.00	10.00	6.00	8.00	16.75	14.75	8.88	8.00	5.92	15
EJ16146	16.00	14.00	6.00	12.00	16.75	14.75	12.88	8.00	5.92	21
EJ12108	12.00	10.00	8.00	8.00	12.75	10.75	8.88	6.00	7.92	15
EJ12128	14.00	12.00	8.00	10.00	14.75	12.75	10.88	7.00	7.92	18
EJ16148	16.00	14.00	8.00	12.00	16.75	14.75	12.88	8.00	7.92	22
EJ161410	16.00	14.00	10.00	12.00	16.75	14.75	12.88	8.00	9.92	23

Technical references and DXF downloads available at www.hammondenclosures.com

All dimensions in inches unless specified otherwise

Quality Enclosures. Service Excellence.

Eclipse Junior Series - NEMA 12, 13, 4 Accessories



Galvanized Inner Panel

- Standard JIC panel sizes.
- 14 gauge unpainted galvanized steel.
- Standard Eclipse Junior enclosures include one panel.

Part No.	Panel Size	
	F	G
14G0503	4.88	2.88
14G0505	4.88	4.88
14G0705	6.75	4.88
14G0707	6.75	6.88
14G0907	8.75	6.88
14G1105	10.75	4.88
14G1109	10.75	8.88
14G1111	10.75	10.88
14G1307	12.75	6.88
14G1311	12.75	10.88
14G1509	14.75	8.88



Padlock not included

Padlock Adaptor

- Padlock adapter fits directly over the slotted quarter turn preventing access.
- 2mm thick 10 gauge stainless steel.
- Stainless steel mounting hardware provided.
- Once installed, the bolts cannot be removed without the door open.
- Easy installed in the field.
- Padlock not included.
- Maintains UL/CSA Type 4 rating.

Part No.	EJPA
----------	------



Wing Knob

- Installs in place of the standard quarter turn lock.
- Internal "O" ring provides dust and water tight construction.
- Maintains UL/CSA Type 4 rating.

Part No.	EJWKL
----------	-------

*Hammond Manufacturing
Company Inc.
256 Sonwil Dr.,
Cheektowaga, NY 14225
Tel: (716) 631-8281
Fax: (716) 565-0375*

*Hammond Manufacturing
Company Limited
394 Edinburgh Road North,
Guelph, ON N1H 1E5
Tel: (519) 822-2960
or (905) 456-3770
Fax: (519) 822-0715*

*Les Fabrications Hammond
(Quebec) Inc.
4240, Seré
St. Laurent, Quebec H4T 1A6
Tel: (514) 343-9010
Fax: (514) 343-9941*

*Hammond Electronics Limited
1 Onslow Close
Kingsland Business Park
Basingstoke, Hampshire RG24 8QL
Tel: 01256 812812
Fax: 01256 332249*

*www.hammondenclosures.com
e-mail: marketing@hammfg.com*

Technical references and DXF downloads available at www.hammondenclosures.com
All dimensions in inches unless specified otherwise