



Wireless Charging

# Rx (Receiving) Modules

---

WRM483245-15F5-5V-G

---

# Wireless Charging

## Overview of Rx Modules

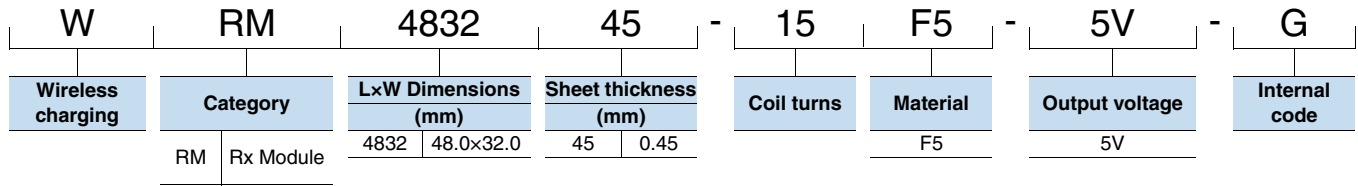
### FEATURES

- Rx turnkey solution including receiving coil unit and module for wireless charging.
- Pre cracked ferrite is available for durable construction.
- Very thinner total module product. Maximum thickness is 1.0mm.
- Flexible sheet type is available.
- Custom design is available based on each design requirements.

### APPLICATION

Smartphones, cellular phones, handheld mobile terminals, and DSCs

### PART NUMBER CONSTRUCTION



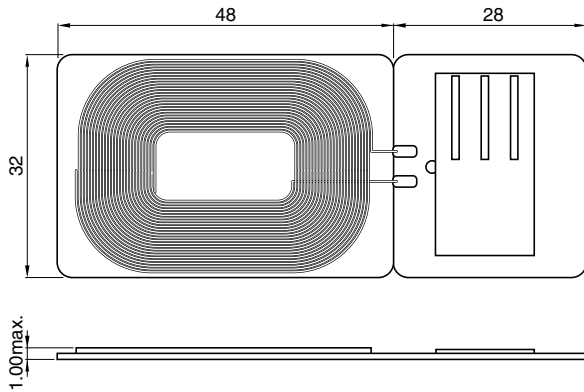
○ Halogen-free: Indicates that Cl content is less than 900ppm, Br content is less than 900ppm, and that the total Cl and Br content is less than 1500ppm.

• All specifications are subject to change without notice.

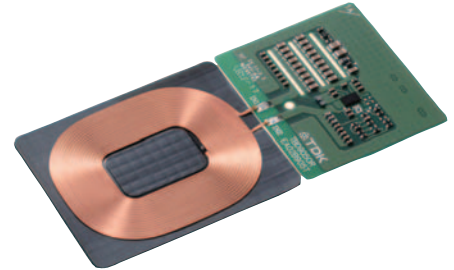
## Rx Modules

## WRM483245-15F5-5V-G

## SHAPE &amp; DIMENSIONS



Dimensions in mm



## ELECTRICAL CHARACTERISTICS

## CHARACTERISTICS SPECIFICATION TABLE

## Rx coil unit

| Inductance<br>( $\mu\text{H}$ )<br>[100kHz, 1Vrms] | DC resistance<br>( $\Omega$ )max.<br>[25°C] |
|--|---|
| 13   | 0.27  |

## Rx module

| Output voltage<br>(V)      | Output current<br>(A) | Efficiency*<br>(%)ref. | IC Information                        |
|----------------------------|-----------------------|------------------------|---------------------------------------|
| 4.95 to 5.05<br>(BQ51013B) | 0.5 to 0.7            | 72                     | BQ51013B<br>(TI wireless charging IC) |

\* Contact us for more information.