

Surface Mount Transformers/Inductors, Gapped and Ungapped Custom Configurations Available


ELECTRICAL SPECIFICATIONS

 Inductance Range: 10 μH to 47 000 μH , measured at 0.10 V RMS at 10 kHz without DC current, using an HP 4263A or HP 4284A impedance analyzer

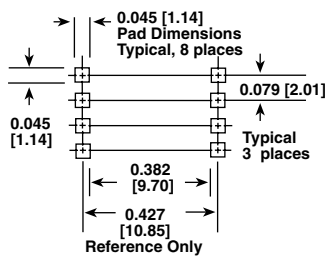
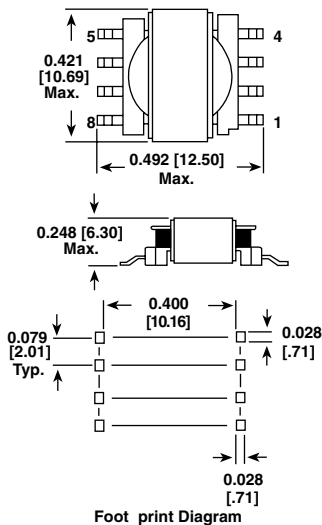
 DC Resistance Range: 0.03 Ω to 19.1 Ω , measured at +25 °C \pm 5 °C

Rated Current Range: 2.00 amps to 0.09 amps

Dielectric Withstanding Voltage: 500 V RMS, 60 Hz, 5 seconds


RoHS
COMPLIANT

DIMENSIONS in inches [millimeters]

Pad Layout

Dimensional Outline


NOTE: Pad layout guidelines per MIL-STD-275E (printed wiring for electronic equipment). Tolerances: xx \pm 0.01" [\pm 0.25 mm]; xxx \pm 0.005" [\pm 0.12 mm]

The underside of these components contains metal and thus should not come in contact with active circuit traces.

STANDARD ELECTRICAL SPECIFICATIONS

MODEL	IND. (μH)	IND. TOL.	SCHEMATIC LETTER	DCR MAX. (Ohms)	MAX. RATED* DC CURRENT (Amps)	SATURATING CURRENT** (Amps)
Ungapped Models						
LPE-4841-101NA	100	\pm 30 %	A	0.17	0.88	N/A
LPE-4841-151NA	150	\pm 30 %	A	0.21	0.79	N/A
LPE-4841-221NA	220	\pm 30 %	A	0.25	0.721	N/A
LPE-4841-331NA	330	\pm 30 %	A	0.30	0.65	N/A
LPE-4841-471NA	470	\pm 30 %	A	0.36	0.60	N/A
LPE-4841-681NA	680	\pm 30 %	A	0.44	0.54	N/A
LPE-4841-102NA	1000	\pm 30 %	A	0.53	0.49	N/A
LPE-4841-152NA	1500	\pm 30 %	A	0.65	0.45	N/A
LPE-4841-222NA	2200	\pm 30 %	A	0.79	0.40	N/A
LPE-4841-332NA	3300	\pm 30 %	A	1.55	0.29	N/A
LPE-4841-472NA	4700	\pm 30 %	A	1.85	0.26	N/A
LPE-4841-682NA	6800	\pm 30 %	A	4.36	0.17	N/A
LPE-4841-103NA	10 000	\pm 30 %	A	5.29	0.16	N/A
LPE-4841-153NA	15 000	\pm 30 %	A	6.48	0.14	N/A
LPE-4841-223NA	22 000	\pm 30 %	A	13.1	0.10	N/A
LPE-4841-333NA	33 000	\pm 30 %	A	16.0	0.09	N/A
LPE-4841-473NA	47 000	\pm 30 %	A	19.1	0.08	N/A
Gapped Models						
LPE-4841-100MB	10	\pm 20 %	B	0.03	2.03	2.320
LPE-4841-150MB	15	\pm 20 %	B	0.04	1.84	1.925
LPE-4841-220MB	22	\pm 20 %	C	0.07	1.32	1.610
LPE-4841-330MB	33	\pm 20 %	C	0.09	1.20	1.330
LPE-4841-470MB	47	\pm 20 %	D	0.13	0.98	1.125
LPE-4841-680MB	68	\pm 20 %	D	0.21	0.79	0.941
LPE-4841-101MB	100	\pm 20 %	E	0.35	0.58	0.781
LPE-4841-151MB	150	\pm 20 %	E	0.48	0.52	0.641
LPE-4841-221MB	220	\pm 20 %	E	0.73	0.42	0.532
LPE-4841-331MB	330	\pm 20 %	E	1.14	0.34	0.436
LPE-4841-471MB	470	\pm 20 %	E	1.36	0.31	0.366
LPE-4841-681MB	680	\pm 20 %	E	2.07	0.25	0.305
LPE-4841-102MB	1000	\pm 20 %	E	3.15	0.20	0.252
LPE-4841-152MB	1500	\pm 20 %	E	4.76	0.16	0.206
LPE-4841-222MB	2200	\pm 20 %	E	7.29	0.13	0.170
LPE-4841-332MB	3300	\pm 20 %	E	11.7	0.11	0.139
LPE-4841-472MB	4700	\pm 20 %	E	17.7	0.09	0.117

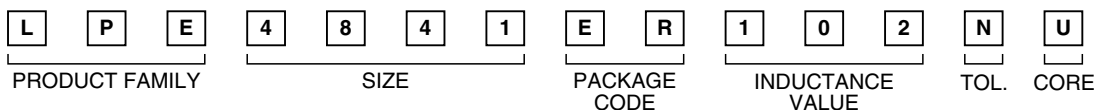
* DC current that will create a maximum temperature rise of 30 °C when applied at +25 °C ambient. ** DC current that will typically reduce the initial inductance by 20 %.

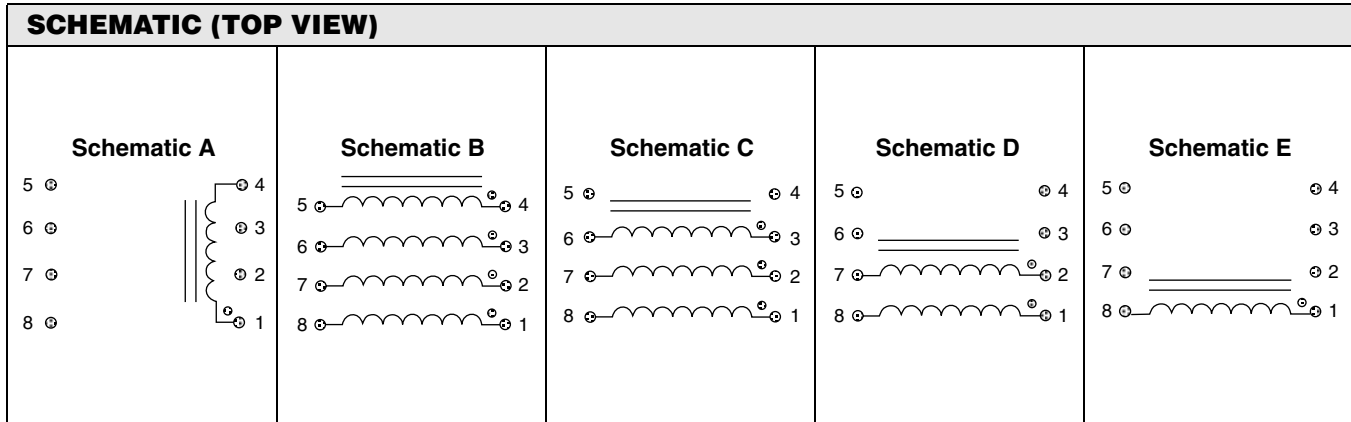
UNGAPPED MODELS: Highest possible inductance with the lowest DCR and highest Q capability. Beneficial in filter, impedance matching and line coupling devices.

GAPPED MODELS: Capable of handling large amounts of DC current, tighter inductance tolerance with better temperature stability than ungapped models. Beneficial in DC to DC converters or other circuits carrying DC currents or requiring inductance stability over a temperature range.

DESCRIPTION

LPE 4841 1000 μH \pm 30 % A ER e2
 MODEL SIZE INDUCTANCE VALUE INDUCTANCE TOLERANCE CORE PACKAGE CODE JEDEC LEAD (Pb)-FREE STANDARD

GLOBAL PART NUMBER




NOTE: Schematic A is for Ungapped LPE Series

ENVIRONMENTAL PERFORMANCE	
TEST	CONDITIONS
Thermal Cycling	Withstands - 55 °C to + 125 °C
Operating Temperature	- 55 °C to + 125 °C*
High Humidity	85 %
Soldering Heat	Tested to + 230 °C
Mechanical Shock	Per MIL-STD-202, Method 213 (100G)
Vibration	Per MIL-STD-202, Method 204 (20G)
Solderability	Per industry standards

* Must be checked in end use application

PART MARKING
<ul style="list-style-type: none"> - Vishay Dale - Date code - Marking code (Suffix of model #) - Pin 1 indicator

PACKAGING									
<p>TAPE SPECIFICATIONS: Carrier Tape Type: Conductive Cover Tape Type: Anti-static Cover Tape Adhesion to Carrier: 40 ± 30 grams</p> <p>REEL SPECIFICATIONS: Diameter (flange): 13" [330.2 mm] Maximum Width (over flanges): 1.197" [30.4 mm]</p>	<p>STANDARDS: All embossed carrier tape packaging will be accomplished in compliance with latest revision of EIA-481 Taping of Surface Mount Components for Automatic Placement".</p> <table border="1"> <thead> <tr> <th>MODEL</th> <th>TAPE WIDTH</th> <th>COMPONENT PITCH</th> <th>UNITS PER 13 INCH REEL</th> </tr> </thead> <tbody> <tr> <td>LPE-4841</td> <td>24 mm</td> <td>16 mm</td> <td>600</td> </tr> </tbody> </table>	MODEL	TAPE WIDTH	COMPONENT PITCH	UNITS PER 13 INCH REEL	LPE-4841	24 mm	16 mm	600
MODEL	TAPE WIDTH	COMPONENT PITCH	UNITS PER 13 INCH REEL						
LPE-4841	24 mm	16 mm	600						
<p>Tape and Reel Orientation</p> <div style="display: flex; justify-content: space-around;"> <div style="text-align: center;"> <p>Pin 1 Indicator</p> <p>USER DIRECTION OF FEED</p> </div> <div style="text-align: center;"> <p>Label Area</p> <p>Cover Tape</p> <p>Carrier Tape</p> <p>Embossed Cavity</p> </div> </div>									

NOTE: Top view shown with cover tape removed



Notice

Specifications of the products displayed herein are subject to change without notice. Vishay Intertechnology, Inc., or anyone on its behalf, assumes no responsibility or liability for any errors or inaccuracies.

Information contained herein is intended to provide a product description only. No license, express or implied, by estoppel or otherwise, to any intellectual property rights is granted by this document. Except as provided in Vishay's terms and conditions of sale for such products, Vishay assumes no liability whatsoever, and disclaims any express or implied warranty, relating to sale and/or use of Vishay products including liability or warranties relating to fitness for a particular purpose, merchantability, or infringement of any patent, copyright, or other intellectual property right.

The products shown herein are not designed for use in medical, life-saving, or life-sustaining applications. Customers using or selling these products for use in such applications do so at their own risk and agree to fully indemnify Vishay for any damages resulting from such improper use or sale.