



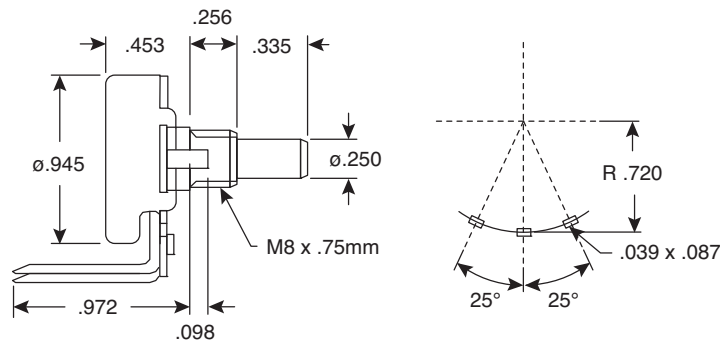
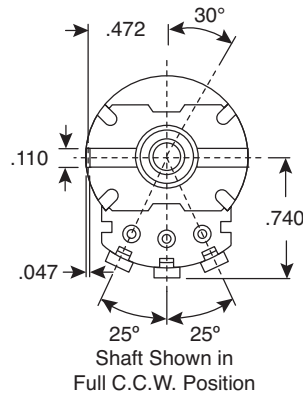
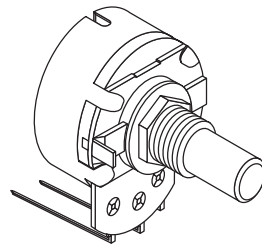
Potentiometers

31VQ205-F, 31VQ301-F, 31VQ305-F, 31VQ401-F,
31VQ403-F, 31VQ405-F, 31VQ501-F, 31VQ503-F,
31VQ505-F, 31VQ601-F

Dimensions: in.
(except where noted)



RoHS Compliant



Specifications:

- Type: linear taper with PCB terminals
- Total rotation angle: $300^\circ \pm 5^\circ$
- Rotation torque: 20~200 gf.cm
- Shaft Stop Strength: >6Kgf.cm min.
- Rated voltage: 500V
- Power rating: 0.5W
- Dielectric: 500VAC for 1 minute
- Insulation resistance: >100M Ω @ 500VDC
- Rotational life: 15,000 cycles
- RoHS Compliant

Mouser Stock No.	Value (Ω)
31VQ205-F	500
31VQ301-F	1K
31VQ305-F	5K
31VQ401-F	10K
31VQ403-F	25K
31VQ405-F	50K
31VQ501-F	100K
31VQ503-F	250K
31VQ505-F	500K
31VQ601-F	1 Meg