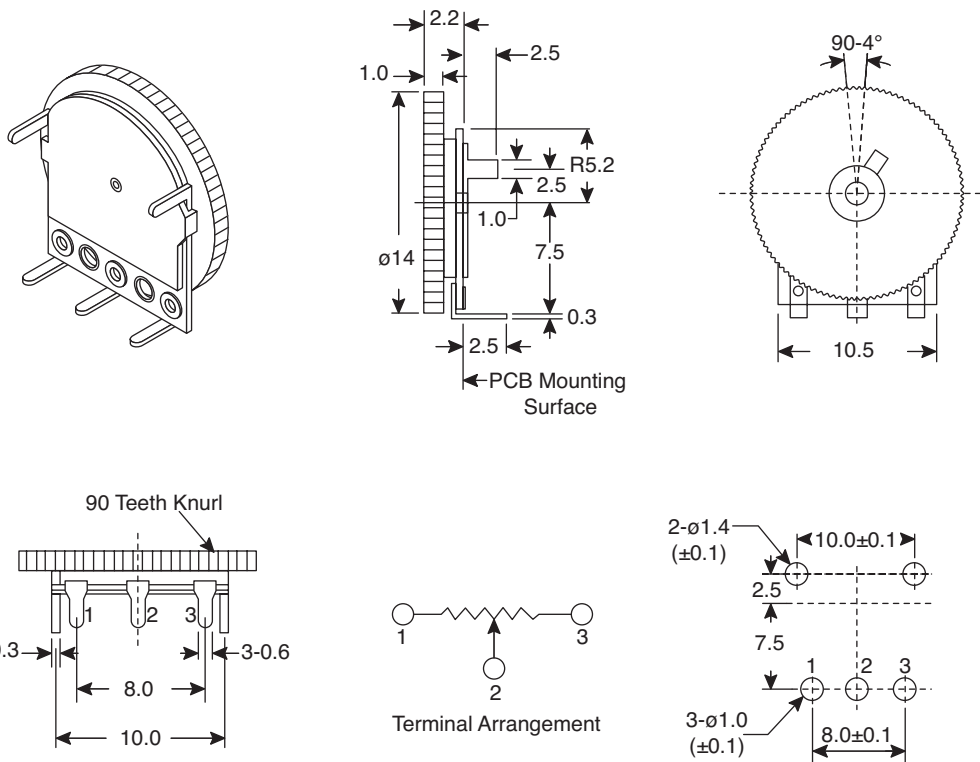




10mm Thumbwheels

312-1001F-1K, 312-1001F-5K, 312-1001F-10K,
312-1001F-50K, 312-1001F-100K, 312-1001F-500K,
312-1001F-1M



Dimensions mm

Specifications:

- Power rating: 0.03W
- Rotation angle: $270^\circ \pm 5^\circ$
- Rotation torque: 10-100gf-cm
- Rotation life: 10,000 cycles
- Resistance tolerance: <1M: $\pm 20\%$, $\geq 1M$: $\pm 30\%$
- Insulation resistance: 100VDC, 100M Ω min.
- Dielectric: 100VAC for 1 minute
- Noise: 100mV max.
- Linear taper
- Stock values: 1K, 5K, 10K, 50K, 100K, 500K, 1M
- Complete with knob
- RoHS Compliant