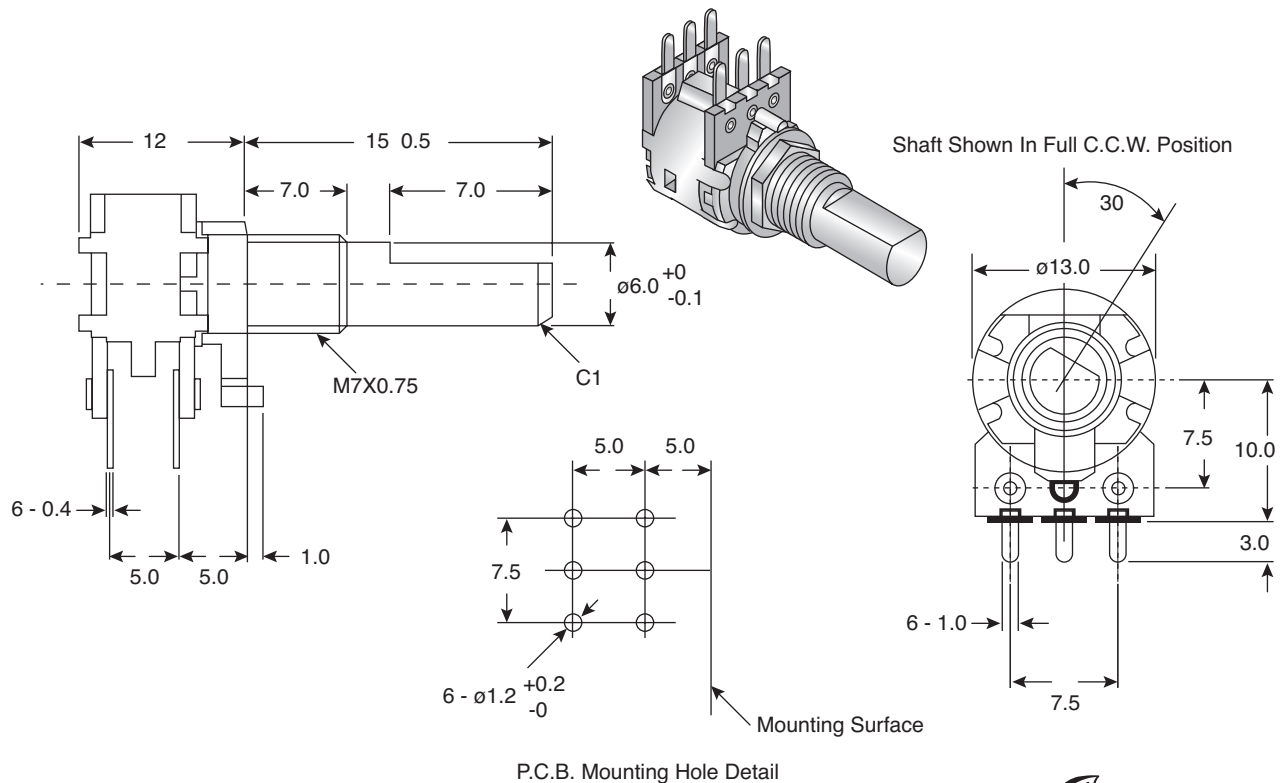




12mm Potentiometers RV122F-20-15F Series



P.C.B. Mounting Hole Detail



RoHS Compliant

Dimensions: mm

Specifications:

- Total Rotation Angle: degree $300 \pm 5^\circ$
- Rotations life: 15,000 cycles
- Termination: solder lugs
- Flat "D" Shaft: 60mm diameter
- Rated Wattage: Linear-0.08W
Audio-0.04W
- Max. Working Voltage: Linear-150V
Audio-100V

Tol. Unless Otherwise Stated		
Less Than	10	± 0.3
Above	10-30	± 0.5
Above	30~100	± 1.0
Above	- - -	$\pm 5^\circ$

Alpha Part Number	Value	Taper
RV122F-20-15F-A1K	1K	Audio
RV122F-20-15F-A5K	5K	Audio
RV122F-20-15F-A10K	10K	Audio
RV122F-20-15F-A50K	50K	Audio
RV122F-20-15F-A100K	100K	Audio
RV122F-20-15F-A500K	500K	Audio
RV122F-20-15F-A1M	1M	Audio
RV122F-20-15F-B1K	1K	Linear
RV122F-20-15F-B5K	5K	Linear
RV122F-20-15F-B10K	10K	Linear
RV122F-20-15F-B50K	50K	Linear
RV122F-20-15F-B100K	100K	Linear
RV122F-20-15F-B500K	500K	Linear
RV122F-20-15F-B1M	1M	Linear