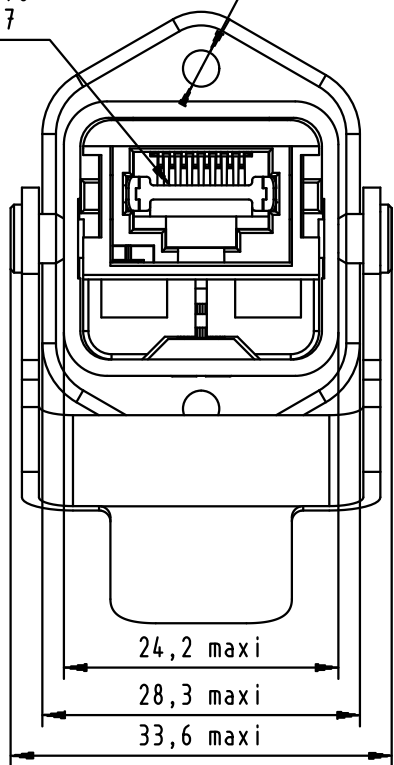
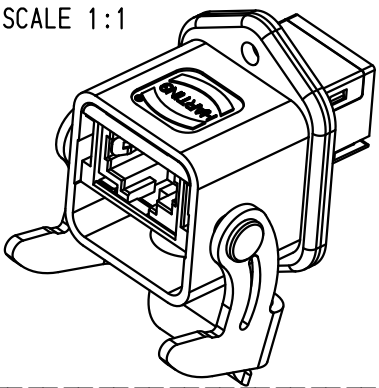


Mating face according to IEC 60603-7

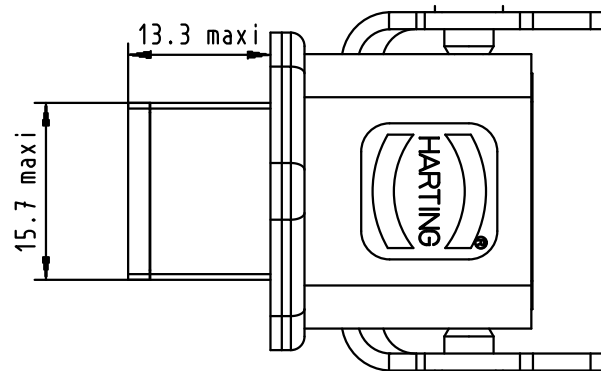
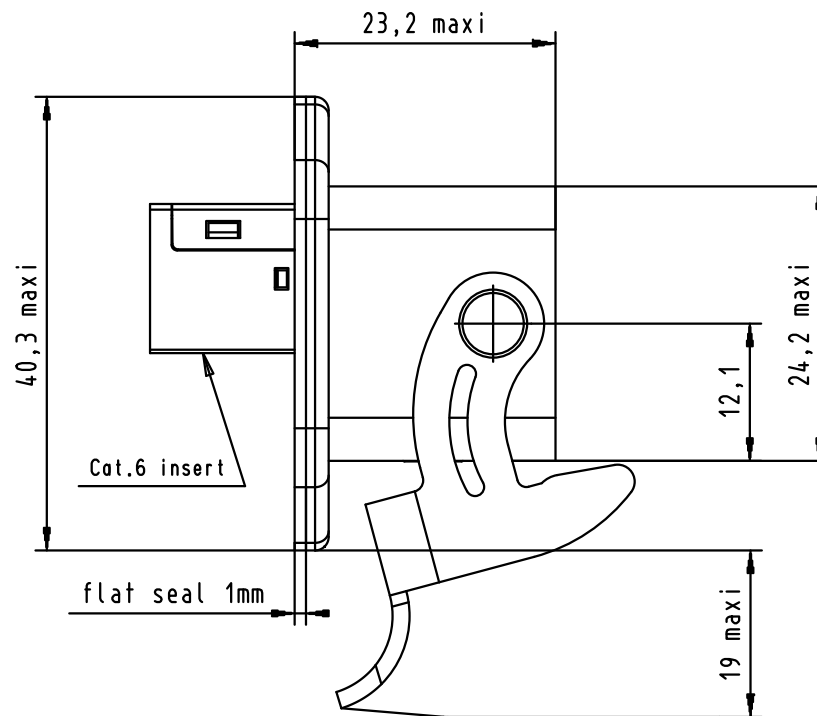
Ø3,4 maxi



SCALE 1:1

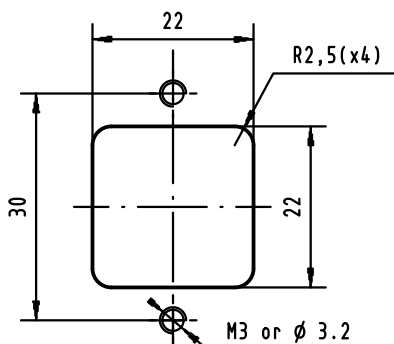


Matable with IEC 60076-3-106 variant 5
 Connector pitches on panel:
 axis X = 36mm
 axis Y = 55mm



recommended panel cutout

scale 1:1



			Dot.	Name	<p>All Dim. in mm Orig. Size DIN A 4</p>	Han 3A RJ45 panel feed through Cat.6 Metal M Version	Maßstab/ Scale
		Detail.	10/11/10	AB			1,5:1
		Insp.					
		Stand.					
	10/11/10	AB	HARTING EURL F-95972 Paris			TB 09 45 215 1561	Blatt/ Page
Mod.	Dot.	Name				Sub.	1/1