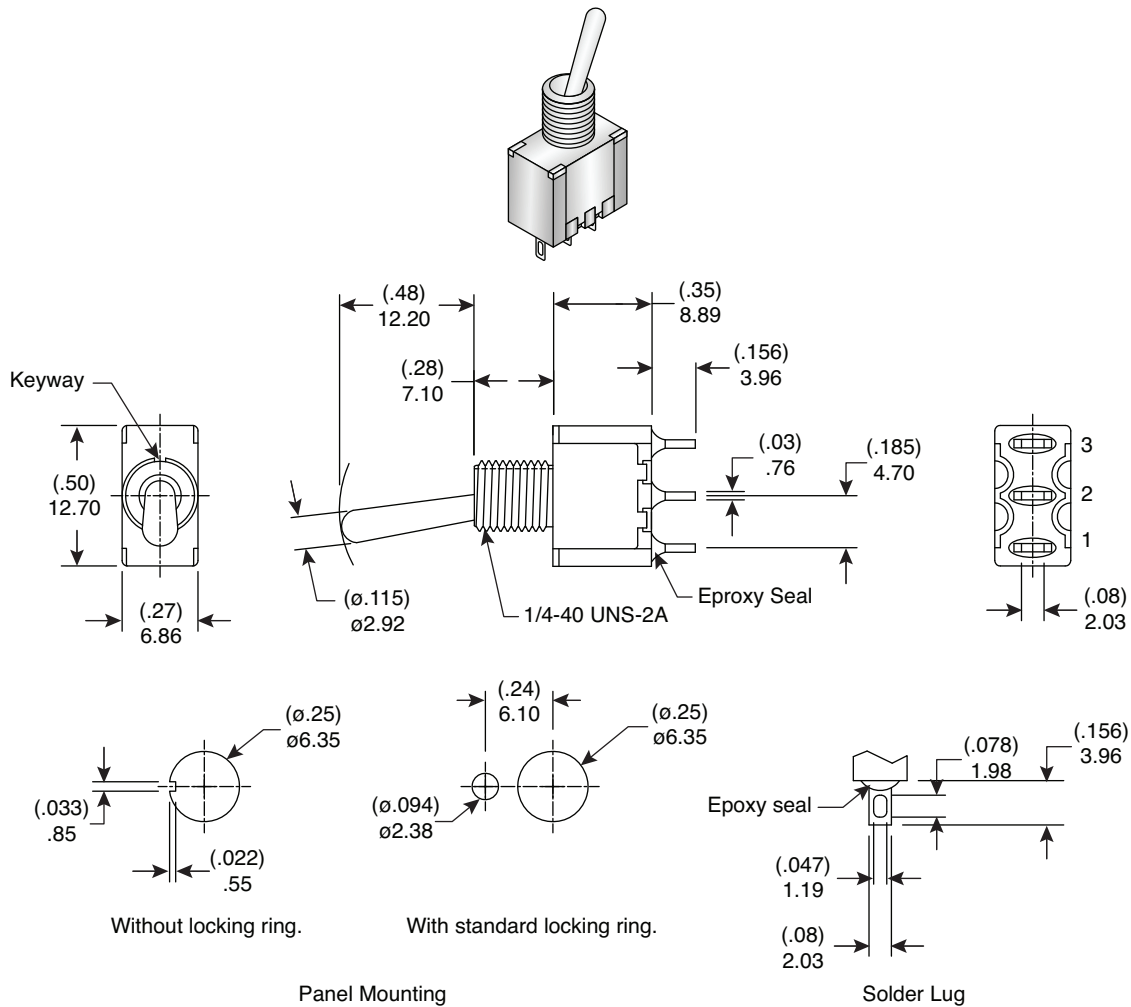


Dimensions: mm (in.)



Electrical Specifications:

- Rating: 2A/250VAC, 5A/120VAC or 28VDC
- Contact Resistance: 10mΩ max. initial @ 2-4VDC 100mA
- Insulation Resistance: 1,000MΩ min.
- Dielectric Strength: 1,000 V RMS @ sea level

Mechanical Specifications:

- Mechanical Life: 40,000 make-and-break cycles
- Operating Temperature: -30°C to 85°C
- Type: SPDT
- Circuit: On-On

Materials:

- Case: Diallyl phthalate (DAP)(UL94V-0)
- Actuator: Brass, chrome plated
- Bushing: Brass, nickel plated
- Housing: Stainless Steel
- Terminal/Contact: Silver or gold plated

Note:

- RoHS Compliant by Exemption

Miniature Toggle Switch
108-0009-EVX

