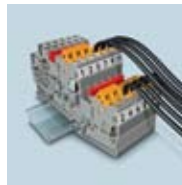


Phoenix Contact offers a full family of modular components covering virtually all of your electrical and electronic needs as well as a broad range of value-added services.

**CLIPLINE**

- DIN rail-mount terminal blocks
- Marking materials and printers
- Tools
- Ferrules



**TRABTECH**

- Surge voltage protection



**INTERFACE**

- Analog signal converters
- Power supplies
- Relays
- PLC cabling
- Rail-mount breakout modules
- Intrinsic safety modules



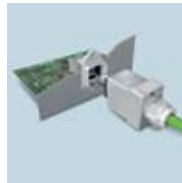
**COMBICON**

- PCB terminal blocks
- Electronic component housings



**PLUSCON**

- Industrial plug connectors
- Sensor cabling and sensor boxes



**AUTOMATION**

- Solutions, products and services for DeviceNet, Profibus, Ethernet and Interbus
- Controllers and software
- Fieldbus I/O
- Ethernet infrastructure components



**PLUSCON**  
Economy equals quality

**USA**  
PHOENIX CONTACT  
P.O. Box 4100  
Harrisburg, PA 17111-0100  
Phone: 800-888-7388  
717-944-1300  
Technical Service: 800-322-3225  
Fax: 717-944-1625  
E-mail: info@phoenixcon.com  
Website: www.phoenixcontact.com

# PLUSCON - SAC

High-performance M12 cordsets at a low price

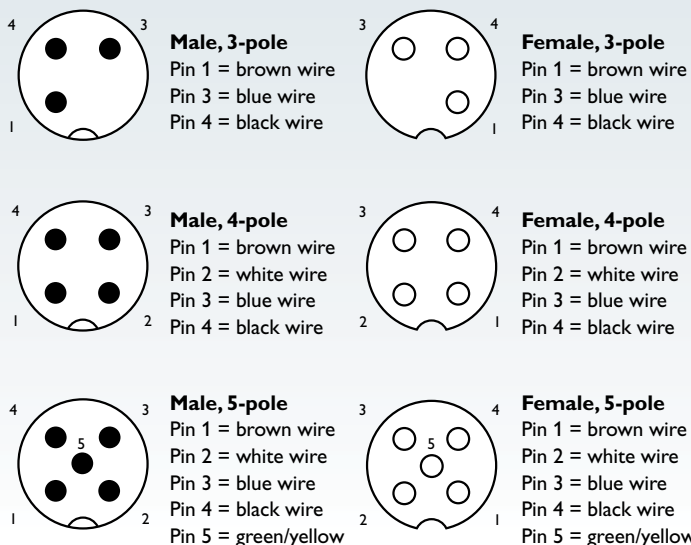
A new line of value priced PVC sensor/actuator cordsets are now available for factory automation applications. The cordsets can be used to connect field devices such as sensors and actuators. The PVC cable gives good resistance to chemicals and performs well under normal mechanical stresses. PVC is perfectly suited for typical factory environments.

## Cordset Features:

- Industry standard M12 connectors in 3, 4, or 5 poles
- Smooth PVC cable material which is easy to strip
- Gold plated contacts for hundreds of mating cycles
- Vibration proof design for secure connection
- Waterproof to IP67 and IP68



## M12 pin assignment:



## Cordset Specifications:

Electrical data	
Nominal current I <sub>N</sub>	4 A
Rated voltage (acc. to UL)	3-pole 300 V; 4-pole 300 V; 5-pole 125 V
Volume resistance	≤ 5 m
Insulation resistance	≥ 100 m

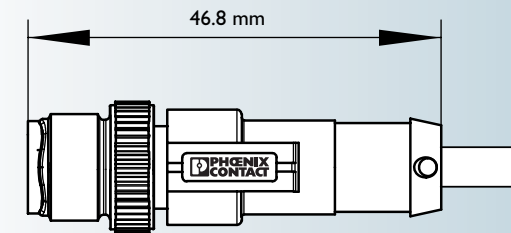
  

General data	
Coding	A – standard
Inflammability class acc. to UL 94	HB
Surge voltage category	II
Pollution degree	3
Degree of protection	IP65/ IP67/ IP68
Contact material / plating	CuSn / Ni/Au
Contact carrier material	TPU GF
Material of grip body	TPU, hardly inflammable, self-extinguishing
Material, knurls	Zinc die-cast, (nickel-plated)
Sealing material	NBR
Ambient temperature	-25 °C ... 90 °C (plug/socket) -25 °C ... 80 °C (cable, fixed installation) -5 °C ... 80 °C (cable, flexible installation)

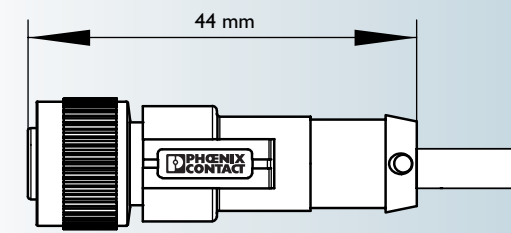
Cable data	
Outer jacket material, color	PVC, black RAL 9005
Conductor cross section	0.34 mm <sup>2</sup> / #22AWG
Conductor structure	42x 0.10 mm
Conductor material	Bare Cu litz wires
Conductor insulation material	PVC
External cable diameter	3 & 4 pole 5.20 mm 5-pole 5.90 mm
Insulation resistance	≥ 100 M *km
Conductor resistance	Max. 58 /km
Nominal voltage, conductor	300 V
Test voltage, conductor	2500 V
Bend radius	10 x outer diameter
Certification	cUL Listed, File #E221474

Part number	Product Type	Description
1431461	SAC-3P-M12MS/2,0-PVC B-L	3 pole Male str. 2 m
1431474	SAC-3P-M12MS/5,0-PVC B-L	3 pole Male str. 5 m
1431487	SAC-3P-M12MS/10,0-PVC B-L	3 pole Male str. 10 m
1431490	SAC-4P-M12MS/2,0-PVC B-L	4 pole Male str. 2 m
1431500	SAC-4P-M12MS/5,0-PVC B-L	4 pole Male str. 5 m
1431513	SAC-4P-M12MS/10,0-PVC B-L	4 pole Male str. 10 m
1431526	SAC-5P-M12MS/2,0-PVC B-L	5 pole Male str. 2 m
1431539	SAC-5P-M12MS/5,0-PVC B-L	5 pole Male str. 5 m
1431542	SAC-5P-M12MS/10,0-PVC B-L	5 pole Male str. 10 m
1431555	SAC-3P-M12MR/2,0-PVC B-L	3 pole Male 90° 2 m
1431568	SAC-3P-M12MR/5,0-PVC B-L	3 pole Male 90° 5 m
1431571	SAC-3P-M12MR/10,0-PVC B-L	3 pole Male 90° 10 m
1431584	SAC-4P-M12MR/2,0-PVC B-L	4 pole Male 90° 2 m
1431597	SAC-4P-M12MR/5,0-PVC B-L	4 pole Male 90° 5 m
1431607	SAC-4P-M12MR/10,0-PVC B-L	4 pole Male 90° 10 m
1431610	SAC-5P-M12MR/2,0-PVC B-L	5 pole Male 90° 2 m
1431623	SAC-5P-M12MR/5,0-PVC B-L	5 pole Male 90° 5 m
1431636	SAC-5P-M12MR/10,0-PVC B-L	5 pole Male 90° 10 m
1431649	SAC-3P-2,0-PVC/M12FS B-L	3 pole Female str. 2 m
1431652	SAC-3P-5,0-PVC/M12FS B-L	3 pole Female str. 5 m
1431665	SAC-3P-10,0-PVC/M12FS B-L	3 pole Female str. 10 m
1431678	SAC-4P-2,0-PVC/M12FS B-L	4 pole Female str. 2 m
1431681	SAC-4P-5,0-PVC/M12FS B-L	4 pole Female str. 5 m
1431694	SAC-4P-10,0-PVC/M12FS B-L	4 pole Female str. 10 m
1431704	SAC-5P-2,0-PVC/M12FS B-L	5 pole Female str. 2 m
1431717	SAC-5P-5,0-PVC/M12FS B-L	5 pole Female str. 5 m
1431720	SAC-5P-10,0-PVC/M12FS B-L	5 pole Female str. 10 m
1431733	SAC-3P-2,0-PVC/M12FR B-L	3 pole Female 90° 2 m
1431746	SAC-3P-5,0-PVC/M12FR B-L	3 pole Female 90° 5 m
1431759	SAC-3P-10,0-PVC/M12FR B-L	3 pole Female 90° 10 m
1431762	SAC-4P-2,0-PVC/M12FR B-L	4 pole Female 90° 2 m
1431775	SAC-4P-5,0-PVC/M12FR B-L	4 pole Female 90° 5 m
1431788	SAC-4P-10,0-PVC/M12FR B-L	4 pole Female 90° 10 m
1431791	SAC-5P-2,0-PVC/M12FR B-L	5 pole Female 90° 2 m
1431801	SAC-5P-5,0-PVC/M12FR B-L	5 pole Female 90° 5 m
1431814	SAC-5P-10,0-PVC/M12FR B-L	5 pole Female 90° 10 m
1431911	SAC-3P-M12MS/0,6-PVC/M12FS B-L	3 pole Male Str. - Female Str. 0.6 m
1431924	SAC-3P-M12MS/1,0-PVC/M12FS B-L	3 pole Male Str. - Female Str. 1 m
1431937	SAC-3P-M12MS/2,0-PVC/M12FS B-L	3 pole Male Str. - Female Str. 2 m
1431966	SAC-3P-M12MS/5,0-PVC/M12FS B-L	3 pole Male Str. - Female Str. 5 m
1431979	SAC-4P-M12MS/0,6-PVC/M12FS B-L	4 pole Male Str. - Female Str. 0.6 m
1431982	SAC-4P-M12MS/1,0-PVC/M12FS B-L	4 pole Male Str. - Female Str. 1 m
1431995	SAC-4P-M12MS/2,0-PVC/M12FS B-L	4 pole Male Str. - Female Str. 2 m
1432004	SAC-4P-M12MS/5,0-PVC/M12FS B-L	4 pole Male Str. - Female Str. 5 m
1432017	SAC-5P-M12MS/0,6-PVC/M12FS B-L	5 pole Male Str. - Female Str. 0.6 m
1432020	SAC-5P-M12MS/1,0-PVC/M12FS B-L	5 pole Male Str. - Female Str. 1 m
1432033	SAC-5P-M12MS/2,0-PVC/M12FS B-L	5 pole Male Str. - Female Str. 2 m
1432046	SAC-5P-M12MS/5,0-PVC/M12FS B-L	5 pole Male Str. - Female Str. 5 m

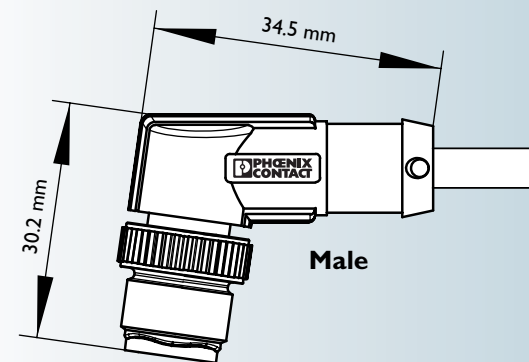
## Dimensional drawings



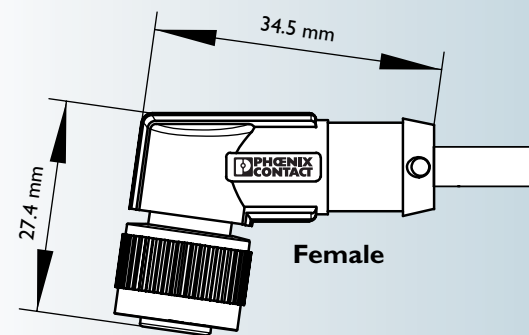
Male



Female



Male



Female