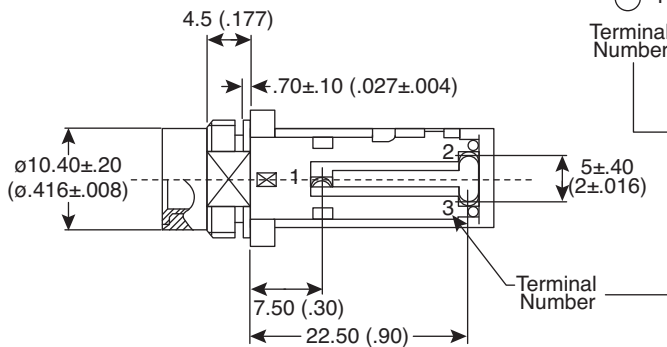
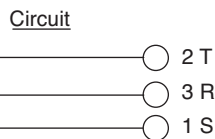
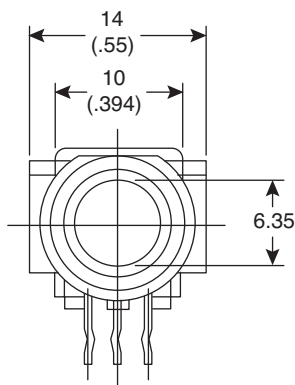
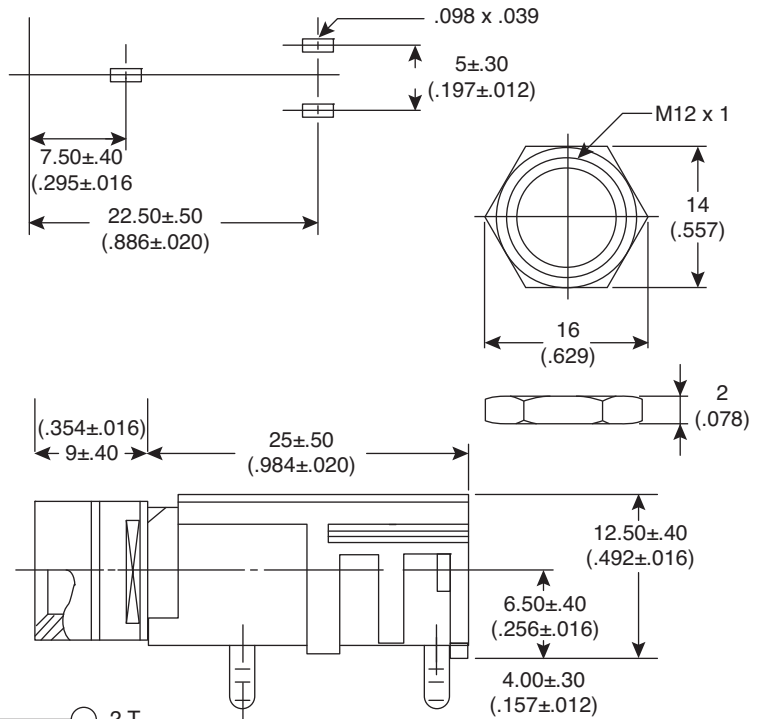
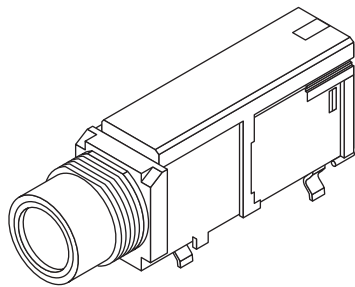


# Stereo Jack 6.35mm

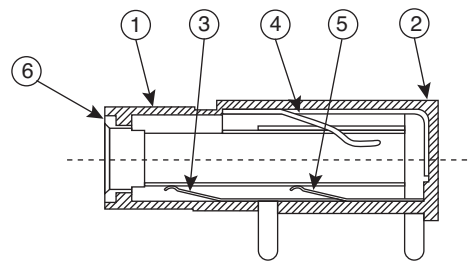
## 16PJ509

**KOBI**CONN

Stereo Jack 6.35mm



**DIMENSIONS: mm (in.)**



Inside Mechanism

### MECHANICAL SPECIFICATIONS

**Soldering heat test:** withstand 270°C for 5 seconds

### ELECTRICAL SPECIFICATIONS

**Contact resistance:** 30mΩ max.

**Insulation resistance:** 100MΩ(min.) @ 500VDC

**Insulation withstand:** 500VAC for 1 minute

No.	Part Name	Material	Finish
1	Housing	PPHOX	N/A
2	Cover	PPHOX	N/A
3	Earth Contact	Phosphor Bronze	Silver Plated
4	Tip Contact	Phosphor Bronze	Silver Plated
5	Ring Contact	Phosphor Bronze	Silver Plated
6	Sleeve	Brass	Nickel Plated

16PJ509

Date Last Revised: 05/27/10

Available from Mouser Electronics  
1-800-346-6873 / [www.mouser.com](http://www.mouser.com)

KC-300157

Specifications are subject to change without notice. No liability or warranty implied by this information. Environmental compliance based on producer documentation.