

# GP Batteries

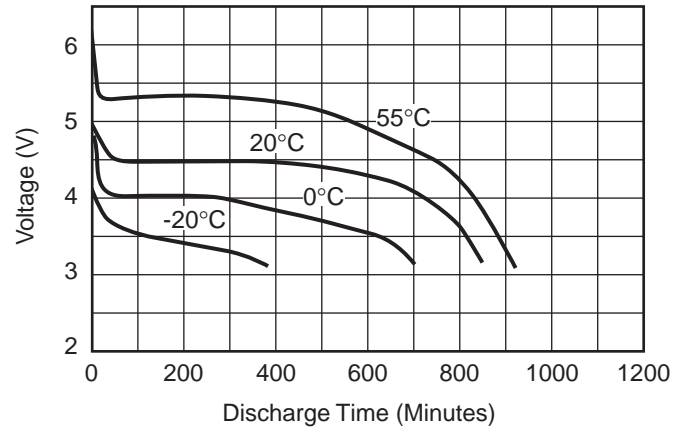
## Data Sheet

Model No.: 2CR5

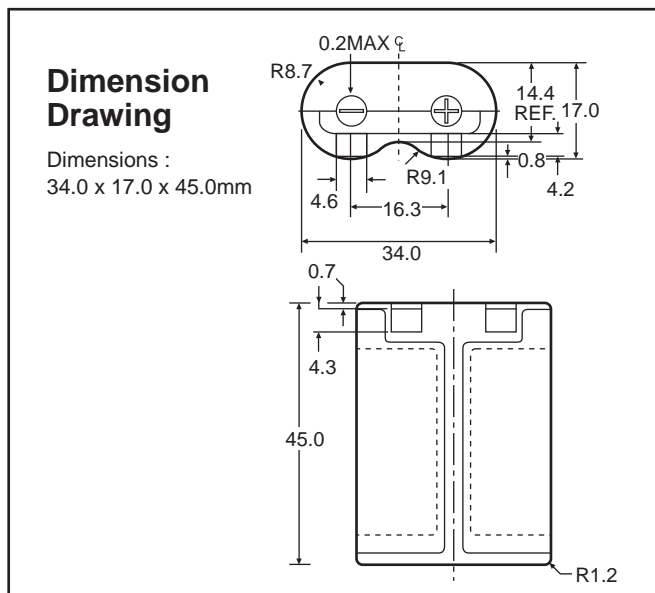
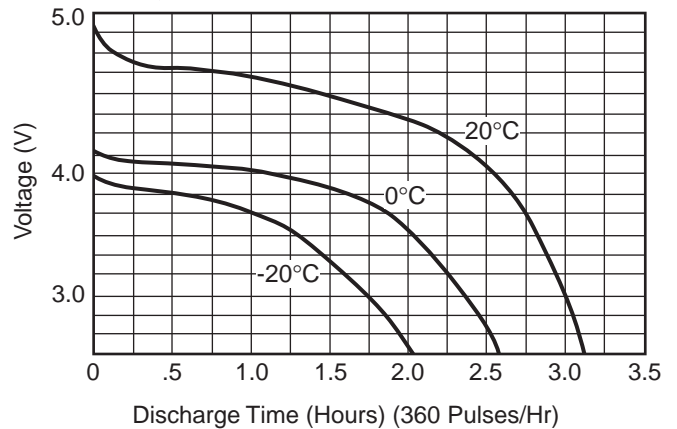
Description : Lithium Battery  
 Chemical system : Lithium Manganese Dioxide  
 Nominal voltage : 6 Volts  
 Nominal capacity : 1,300mAh  
 Dimensions : 34.0 x 17.0 x 45.0mm  
 Terminals : Flat  
 Jacket : Plastic Case  
 Shelf life : 5 years  
 Average weight : App. 39 grams  
 Application : Photo

### Discharge Characteristics

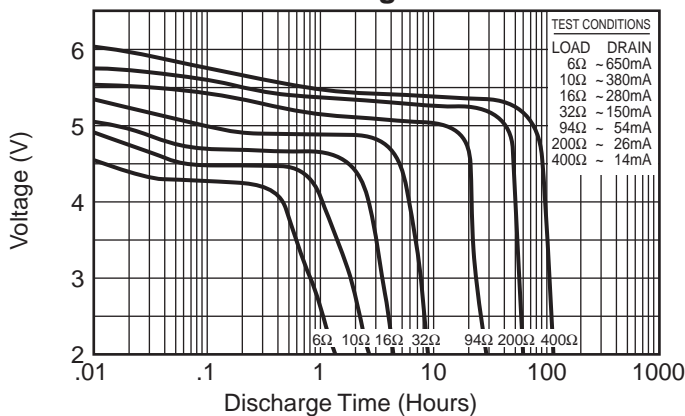
900mA, 3 seconds on / 27 seconds off



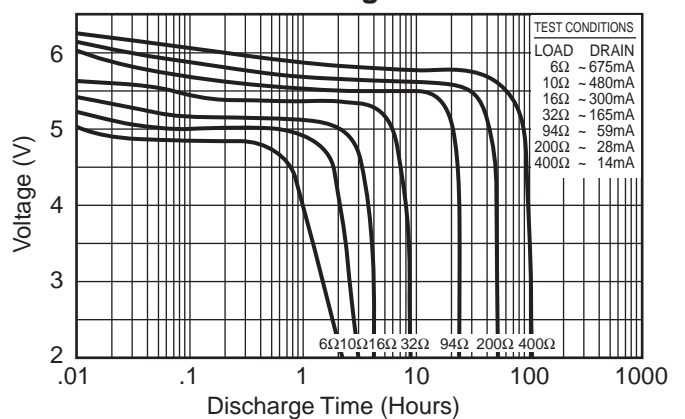
### 1.2A, 3 seconds on / 7 seconds off



### Continuous discharge at 0°C



### Continuous discharge at 20°C



### Cross Reference:

IEC	Eveready	Duracell
2CR5	EL2CR5BP	DL245

