



GM67X Series Cable Side IP67 Cable Mount

(Must Be Used with GM67X Series Box Side Part)

Features

- IP67
- Cable Mount
- Cable O.D. Options Available

Performance Specifications

Materials and Finish

Housing Material

Nylon 66, UL 94HB Rated, Black Color

Seal

EPDM, Red or Blue Color

Nut Material

PBT Thermoplastic, UL 94V-0 Rated, Black Color

Gasket Material

EPDM, Red Color

Notes:

- *Must be used with GM67X box side part
- *To be used when assembling Cat 5 cable
- *Kycon can offer custom cable assemblies (mins will apply)

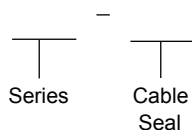
MODULAR JACKS AND PLUGS

GM67X Series

Documentation & Ordering Information

Kycon Part

Part Number Builder



Series

GM67X-CS - Cable Mount IP67 Cable Side Component

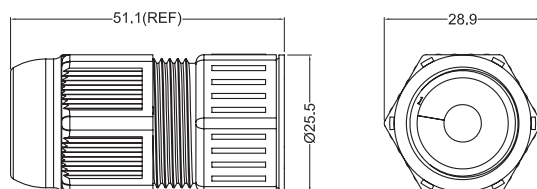
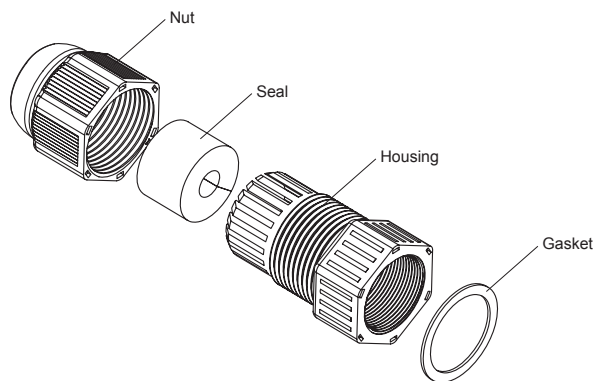
Cable Seal

R - Seal for Cable Outer Diameter of 5.5 mm - 7 mm

B - Seal for Cable Outer Diameter of 7 mm - 9.5 mm

GM67X-CS-R, GM67X-CS-B

Dimensions in mm



-R: Recommended Cable O.D.: 5.5 mm to 7 mm

-B: Recommended Cable O.D.: 7 mm to 9.5 mm

[Click here for assembly instructions](#)