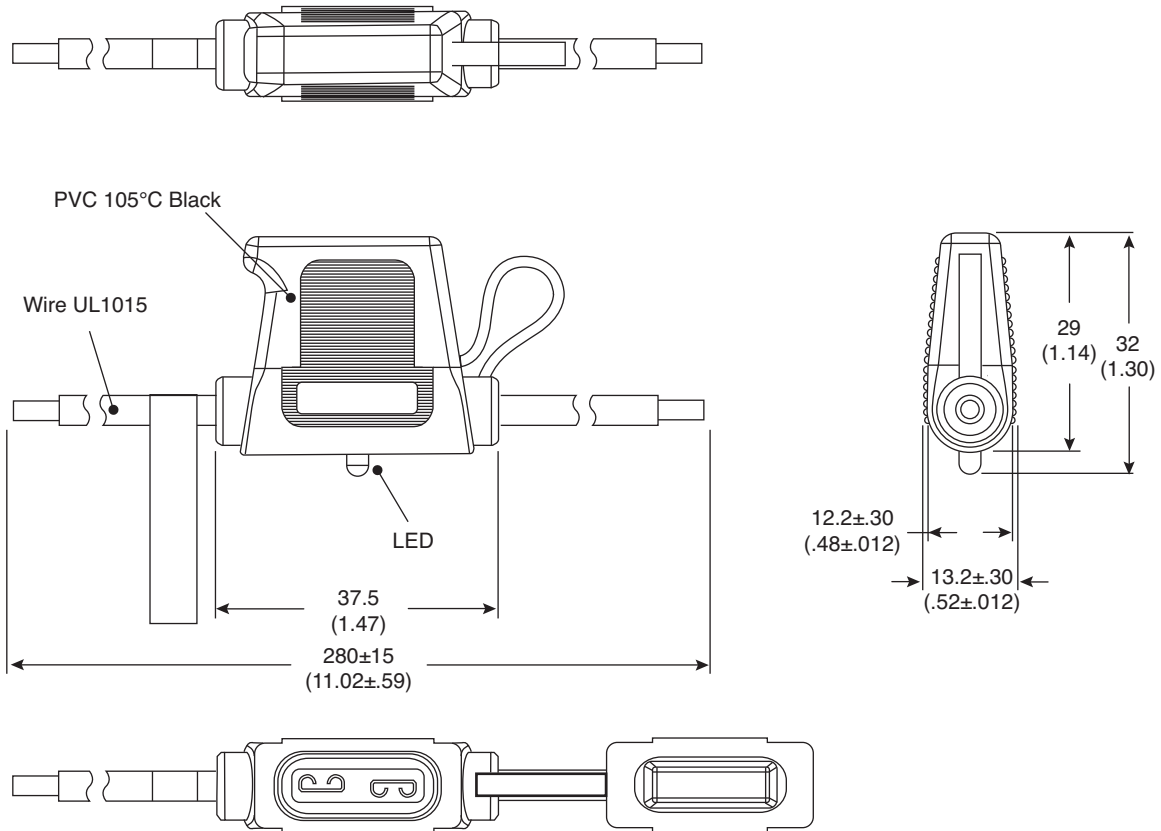


# In-Line Fuse Holders

441-R360A-GR, 441-R360B-GR,  
441-R360C-GR, 441-R360D-GR

Date Last Revised: 4-29-09



Dimensions: mm (in.)

## SPECIFICATIONS

- Insulation Resistance: 500VDC 100MΩ Min.
- Dielectric Strength: 1000VAC 1 Min.
- Operating Temperature: -20°C~+85°C
- RoHS Compliant

Mouser Stock No.	Rating	Wire Gauge	Wire Color
441-R360A-GR	30A/12-24VDC	12AWG	RED
441-R360B-GR	20A/12-24VDC	14AWG	RED
441-R360C-GR	15A/12-24VDC	16AWG	RED
441-R360D-GR	10A/12-24VDC	18AWG	RED

Available from Mouser Electronics  
1-800-346-6873 / [www.mouser.com](http://www.mouser.com)

EPD-200779