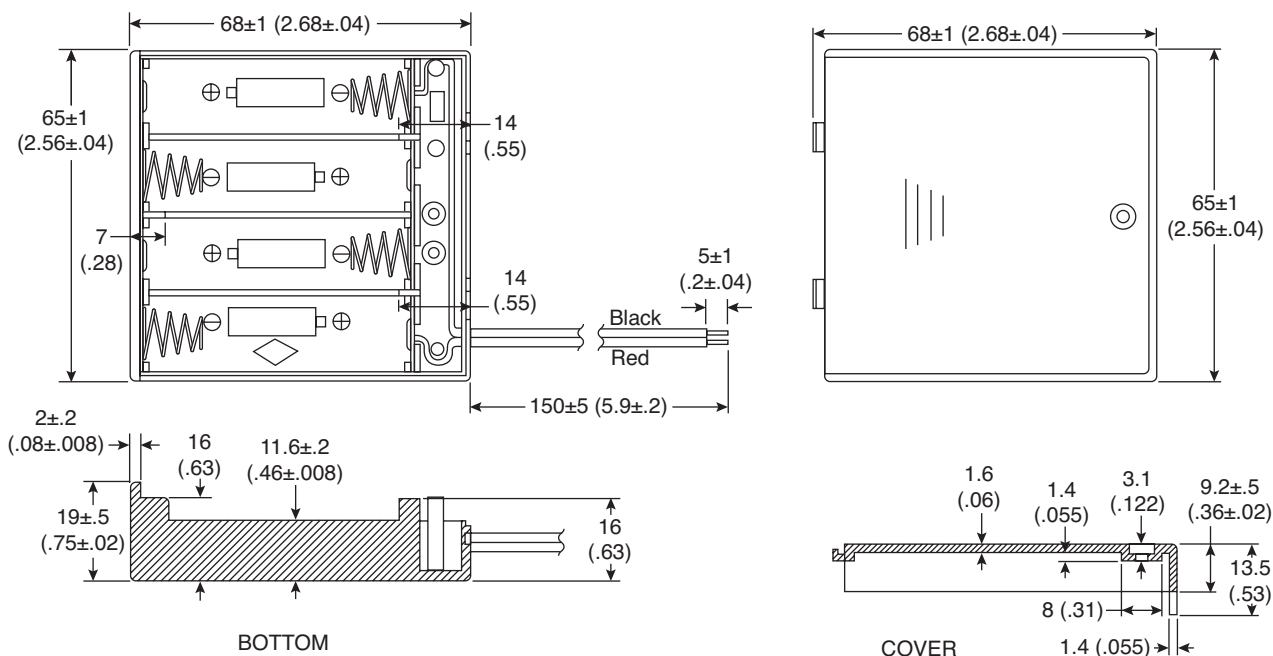


Date Last Revised: 6-15-06



Dimensions: mm (In.)

SPECIFICATIONS	
Wire:	UL1007 AWG26#; Black & Red 150mm+5mm (5.9±.2); Strip & Tin 5mm±1mm (.2±.04)
Material:	ABS Resin black color
Spring:	0.5mm 65C Spring Wire
RoHS Compliant	