



Bi-Sonic

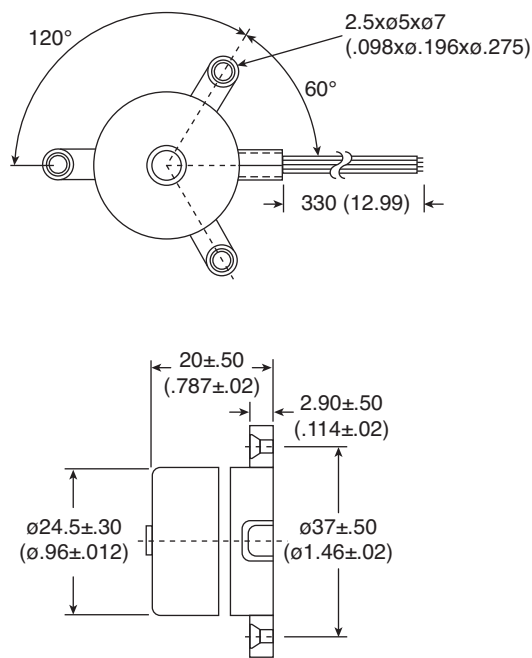
DC Brushless Motor

433-MS-6700

Date Last Revised: 09/01/09

BI-200044

Dimensions: mm (in.)



Electrical Specifications:

- Rated voltage: 4VDC
- Operation voltage: 4-6
- Input current: 0.035A max.
- Input power: 0.14W max.
- Rotation speed: 3600 RPM
- Insulation resistance: 500V DC 10M Ω min.
- Dielectric strength: 500V AC 60Hz. for minute

Mechanical Specifications:

- Operating temperature: -10°C to +70°C
- Storage temperature: -40 to +75°C
- Weight: 25 grams
- Bearing system: Ball

Materials:

- Lead Wire: 1095 AWG#28
 - + Positive: Red/Orange
 - Negative: Blue
 - Sensor output: Yellow (3rd wire)

Note:

- RoHS Compliant by Exemption

Available from Mouser Electronics

1-800-346-6873

www.mouser.com

Specifications are subject to change without notice. No liability or warranty implied by this information. Environmental compliance based on producer documentation.