



Bi-Sonic

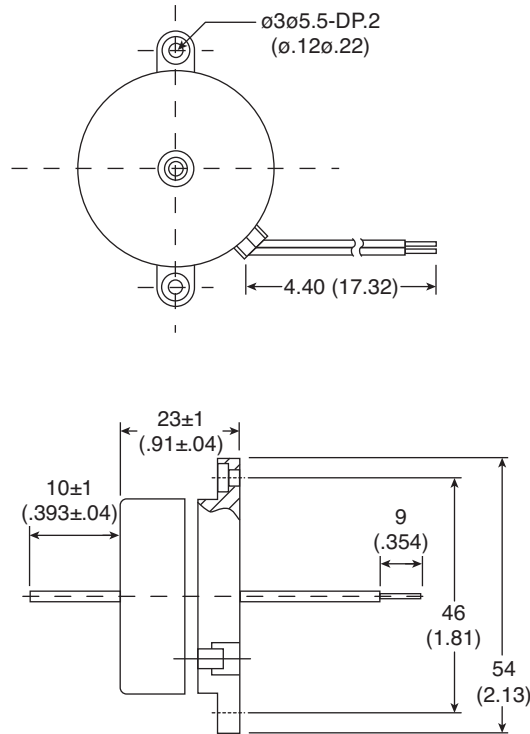
DC Brushless Motor

433-RMB0212B

Date Last Revised: 08/18/09

BI-200042

Dimensions: mm (in.)



Mouser Stock No.	Bearing	Rated Voltage (VDC)	Operating Voltage Range (V)	Rated Current (A)	Rated Input Power (W)	Speed (R.P.M.)
433-RMB0212B	Ball	12	10.2-13.8	0.08	0.96	4200

Electrical Specifications:

- Insulation resistance: 500VDC 10MΩ min.
- Dielectric strength: 500VAC 60Hz for 1 minute

Mechanical Specifications:

- Operating temperature: -10°C to +70°C
- Weight: 60 grams

Materials:

- Lead Wire: 1007 AWG#22
- +: Red
- -: Black/Blue

Note:

- RoHS Compliant by Exemption

Available from Mouser Electronics

1-800-346-6873

www.mouser.com

Specifications are subject to change without notice. No liability or warranty implied by this information. Environmental compliance based on producer documentation.