



Bi-Sonic

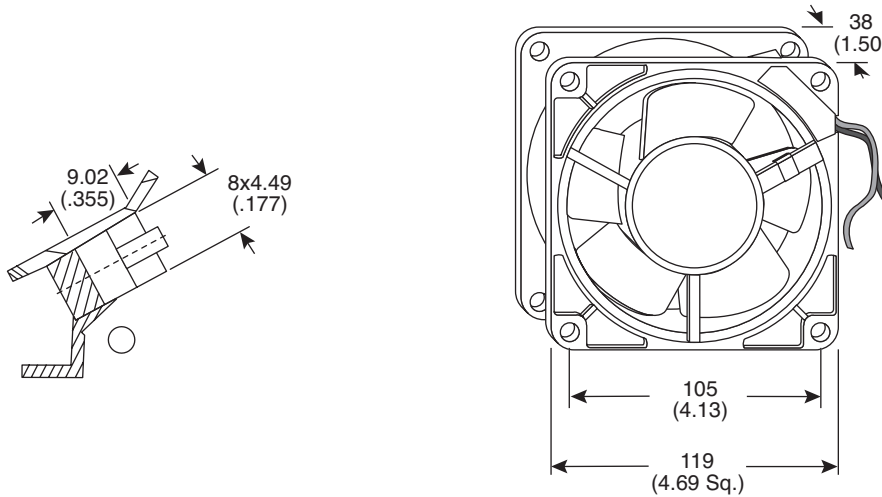
AC Tubeaxial Fans

433-4E-115B-17F, 433-4E-115B-21F, 433-4E-115B-L,
433-4E-115B-17, 433-4E-115B-25, 433-4E-115S-17, 433-4E-115S

Date Last Revised: 01-28-08

BI-200035

Dimensions: mm (in.)



12" Leads

* 15,000 hrs
** 35,000 hrs

Mouser Stock No.	Bearing	Current (mA) Running Lock		Power (W)	Noise dB(A)	Air Flow CFM	Speed PRM
* 433-4E-115B-L	Ball	250/240	260/250	24/22	45/50	94/105	2650/3000
* 433-4E-115B-17	Ball	210/200	220/210	21/19	32/35	50/55	1600/1700
* 433-4E-115B-25	Ball	240/230	250/240	23/21	38/42	70/78	2250/2500
* 433-4E-115S	Sleeve	250/240	260/250	24/22	45/50	94/105	2650/3000



Faston Terminals

* 433-4E-115B-17F	Ball	210/200	220/210	21/19	32/35	50/55	1600/1700
* 433-4E-115B-21F	Ball	230/220	240/230	22/20	36/38	60/65	1800/2100
* 433-4E-115S-17	Sleeve	210/200	220/210	21/19	32/35	50/55	1600/1700

Electrical Specifications:

- Voltage: 115VAC
- Frequency: 50/60Hz

Note:

- RoHS Compliant by Exemption

Mechanical Specifications:

- Operating Temperature: sleeve bearing, -10°C~60°C;
ball bearing, -30°C~75°C
- Weight: 600g
- Life expectancy: 40,000 hrs unless noted

Materials:

- Housing: all metal, die-cast aluminum
- Impeller: steel
- Motor: shaded pole
- Leads: [290mm (12") flying leads also available], impedance protected
- Bearing: sintered bronze sleeve bearing or ball bearings

Available from Mouser Electronics

1-800-346-6873

www.mouser.com