



Bi-Sonic

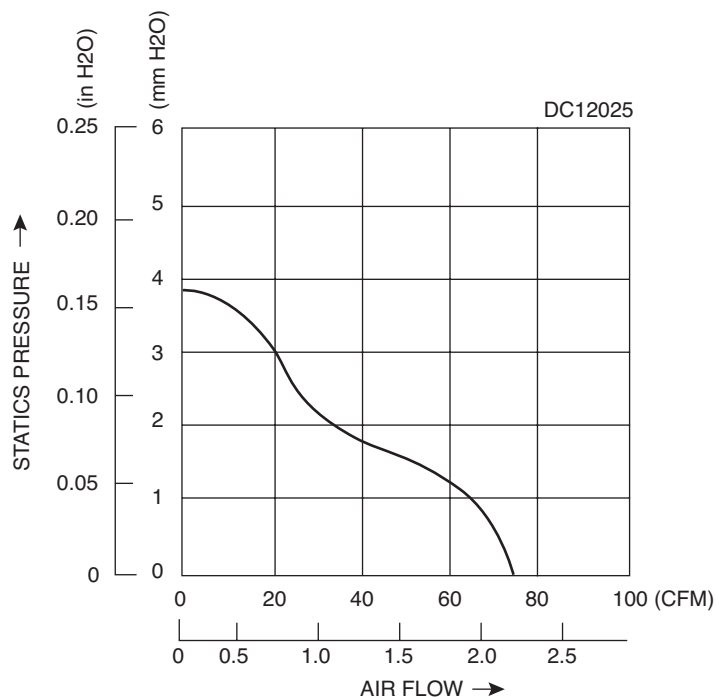
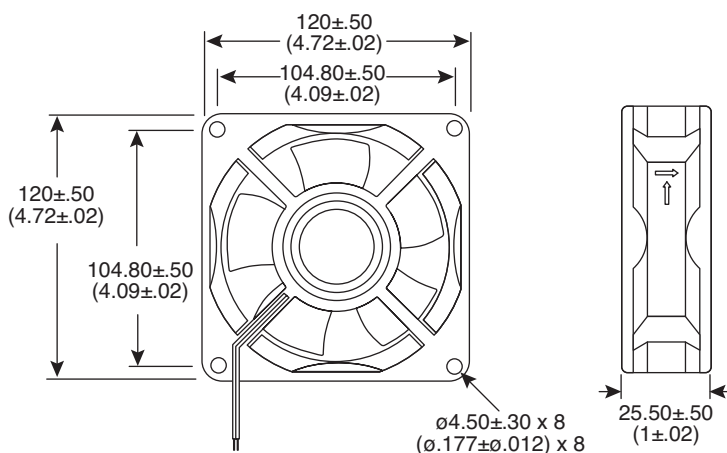
DC Brushless Fan

433-BP1202524M

Date Last Revised: 7-14-06

BI-200028

Dimensions: mm (In.)



Electrical Specifications:

- Operation temperature: Ball bearing, -30°C to +75°C
- Insulation resistance: 10MΩ min. at 500V DC
- Dielectric strength: 5mA max. at 500V AC 60Hz one min.
- Voltage: 24V DC
- Operating voltage range: 20.4V-27.6V
- Rated current: 0.18A
- Rated input power: 4.32W
- Speed: 2500 r.p.m.
- Max. air flow: 74.50 CFM
- Noise: 44 dB-A

Mechanical Specifications:

- Operating temperature: -30°C to +75°C

Note:

- RoHS Compliant by exemption

Materials:

- Housing: Glass fiber reinforced plastic
- Impeller: PBT are UL 94V-0 rating
- Bearing: Ball

Available from Mouser Electronics

1-800-346-6873

www.mouser.com