



Bi-Sonic

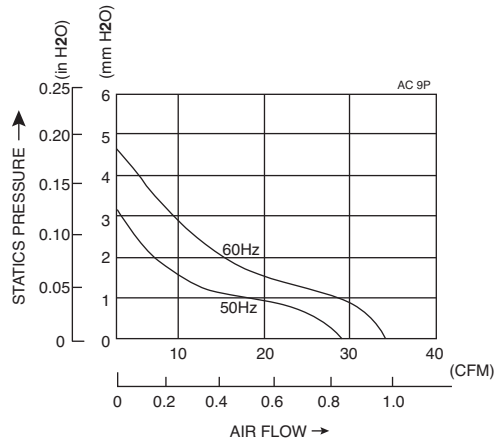
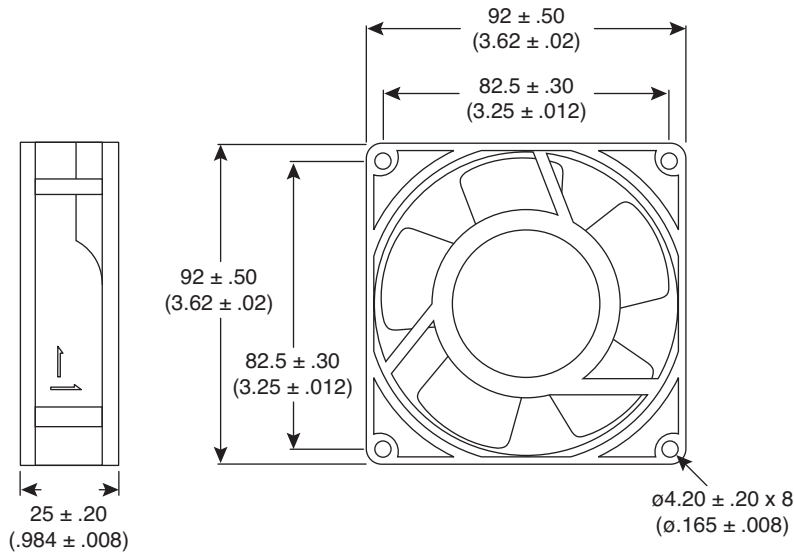
AC Tubeaxial Fan

433-9P-230HB

Date Last Revised: 7/9/10

BI-200003

Dimensions: mm (in.)



Electrical Specifications:

- Frequency: 60Hz
- Max. rated current: 70mA
- Max. input power: 14W
- Speed: 2900 r.p.m.
- Max. air flow: 34 CFM
- Max. air pressure: 4.21mm H₂O / 0.17 in H₂O
- Noise: 41 dB-A
- Rated voltage: 230VAC

Note:

- RoHS compliant by exemption



Mechanical Specifications:

- Operating temperature: -30°C to +70°C

Materials:

- Housing: die-cast aluminum
- Impeller: glass fiber reinforced plastic; UL 94V-0 rating
- Bearing: ball
- Weight: 280g

Available from Mouser Electronics

1-800-346-6873

www.mouser.com

Specifications are subject to change without notice. No liability or warranty implied by this information. Environmental compliance based on producer documentation.