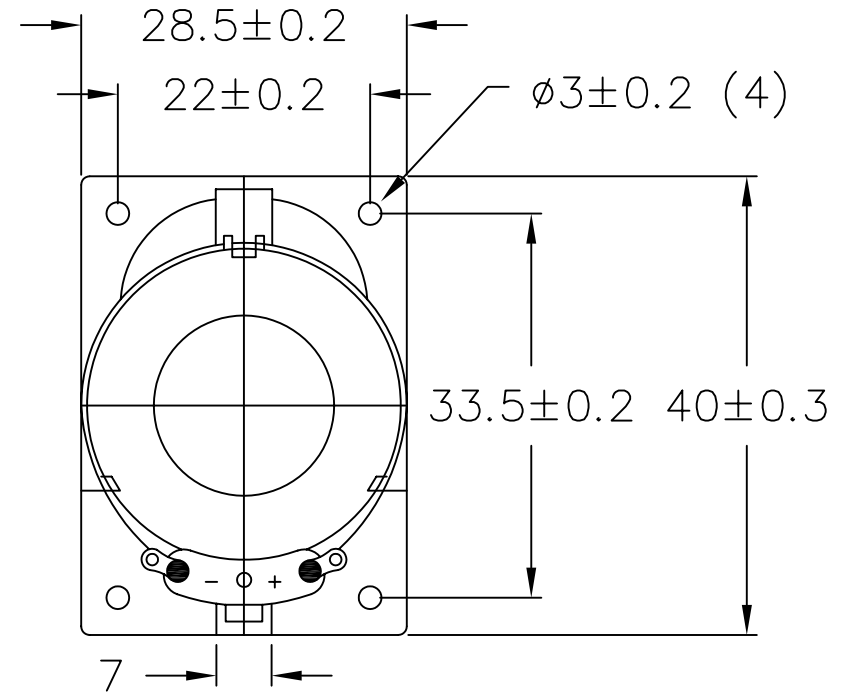
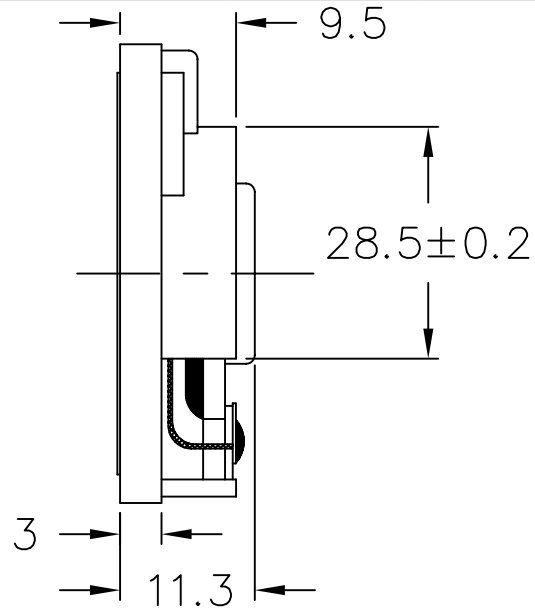


THIS DOCUMENT CONTAINS DATA PROPRIETARY TO PROJECTS UNLIMITED, INC. ANY USE OR REPRODUCTION, IN ANY FORM, WITHOUT PRIOR WRITTEN PERMISSION OF PROJECTS UNLIMITED, INC. IS PROHIBITED.  
© 2005, Projects Unlimited Inc.

### SPECIFICATIONS

PARAMETERS	VALUES	UNITS
RATED INPUT POWER	3	W
MAX INPUT POWER	4	W
IMPEDANCE	4±15%	OHM
OUTPUT SPL @ 1W/0.5M (AT 0.6, 0.8, 1.0, 1.2 kHz)	82±3	dB
DISTORTION (MAX.)	5%	-
RESONANT FREQUENCY	420±20%	Hz
FREQUENCY RANGE	200 ~ 20,000	Hz
HOUSING MATERIAL	ABS	-
CONE MATERIAL	PAPER	-
MAGNET MATERIAL	RARE EARTH	-
OPERATING TEMPERATURE	-10 ~ +55	°C
WEIGHT	11.9	grams

REVISIONS			
LTR	DESCRIPTION	DATE	APPROVED
-	RELEASED FROM ENGINEERING	12/7/05	




NOTES:

1. ALL DIMENSIONS ARE IN MILLIMETERS.
2. SPECIFICATION SUBJECT TO CHANGE OR WITHDRAWAL WITHOUT NOTICE.
3. THIS PART IS RoHS 2002/95/EC COMPLIANT.

FILE NAME  
AS04004PO-2-R.DWG

UNLESS OTHERWISE SPECIFIED:  
DIMENSIONS ARE IN MILLIMETERS, TOLERANCES ARE ±0.5 AND ANGLES ARE ±3°.

 **projects® unlimited** Dayton, Ohio

SPEAKER

APPROVALS	DATE
DRAWN <i>J.A.F.</i>	12/05
CHECKED <i>B.R.</i>	12/05
APPROVED <i>E.P.</i>	12/05

SIZE **A** DRAWING NO. AS04004PO-2-R

DO NOT SCALE DRAWING

SCALE: N.T.S.

SHEET 1 OF 1