

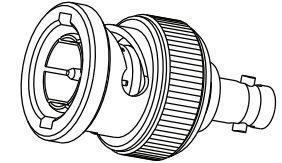
NOTES:

1. MATERIALS AND FINISHES:  
 BODY & BAYONET - BRASS, NICKEL PLATING  
 CONTACT - BERYLLIUM COPPER, GOLD PLATING  
 INSULATOR - PTFE  
 GASKET - RUBBER
2. ELECTRICAL:  
 A. IMPEDANCE: 75 OHM  
 B. FREQUENCY RANGE: DC - 3 GHz  
 C. RETURN LOSS: -30 dB
3. MECHANICAL:  
 A. DURABILITY: 500 CYCLES MIN.  
 B. TEMPERATURE RANGE: -65° C TO +165° C
4. PACKAGING:  
 A. QUANTITY: SINGLE PACK  
 B. MARKING: BAG TO BE MARKED  
 "AMPHENOLRF, APH-BNCP-HDBNCJ, AND DATE CODE"

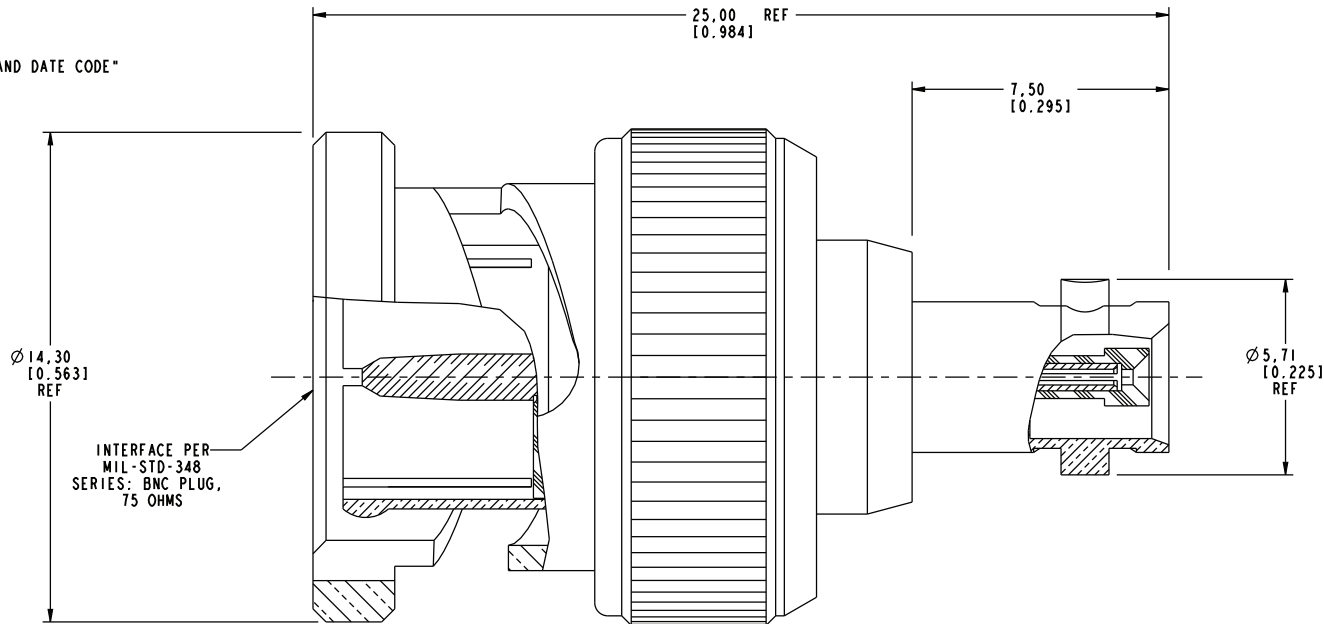
THIRD ANGLE PROJ.

REVISIONS

REV	DESCRIPTION	DATE	ECO	APPR
1	PROTOTYPE RELEASE.	21-May-10	--	CL
2	SEE SHEET 1	26-May-10	--	CL



SCALE 2.000



**CUSTOMER OUTLINE DRAWING**  
 ALL OTHER SHEETS ARE FOR INTERNAL USE ONLY

UNLESS OTHERWISE SPECIFIED, DIMENSIONS ARE IN METRIC AND TOLERANCES ARE:  
 <0.5mm ±0.05mm    0.5 - 6mm ±0.1mm    6 - 30mm ±0.2mm    30 - 120mm ±0.3mm    ANGLES ±1°

NOTICE - These drawings, specifications, or other data (1) are, and remain the property of Amphenol Corp. (2) must be returned upon request; and (3) are confidential and not to be disclosed to any person other than those to whom they are given by Amphenol Corp. The furnishing of these drawings, specifications, or other data by Amphenol Corp., or to any other person to anyone for any purpose is not to be regarded by implication or otherwise in any manner licensing, granting rights to permitting such holder or any other person to manufacture, use or sell any product, process or design, patented or otherwise, that may in any way be related to or disclosed by said drawings, specifications, or other data.

MATERIAL  
SEE NOTES

REFERENCE  
EAR #

CONFIGURATION LEVEL: Prototype

FINISH

DRAWN  
CLEMENT

ENGINEER  
CLEMENT

APPROVED

CAD FILE

Root Folder/BNC/APH-BNCP-HDBNCJ

DATE  
29-Mar-10

DATE  
29-Mar-10

DATE

TITLE  
BNC PLUG TO  
HD-BNC JACK, 75 OHM  
ADAPTER

SCALE: 4.0:1.0 SHEET 2 OF 2

DWG SIZE  
B

REV  
2

Amphenol RF

Danbury CT USA, Tainan, Taiwan, Shenzhen, China  
www.amphenolrf.com

DRAWING NO. APH-BNCP-HDBNCJ

ITEM NO. APH-BNCP-HDBNCJ

PART NO. APH-BNCP-HDBNCJ