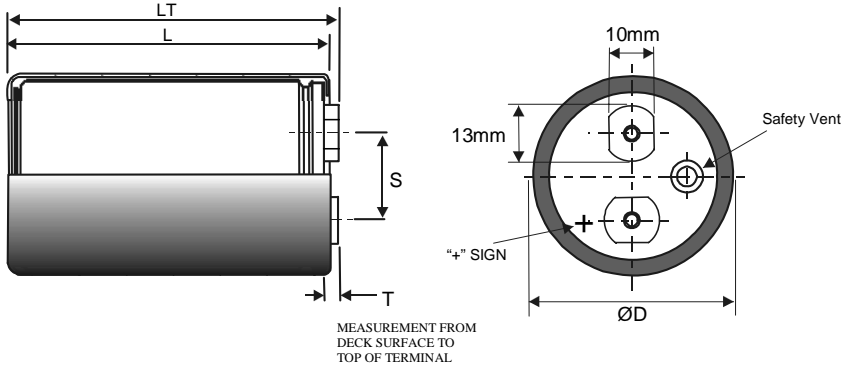


Part Number : ALS30A332LF400

Customer :

Customer p/n :



Diameter (mm)	63.5	+/-1
Length (L or L2) (mm)	105	+/-2
Terminals	M5	
Other Dimensions	S=28.5±0.5 T=5.5±0.5	

Capacitance:	3300	uF
Lower Cap Tolerance:	20	%
Upper Cap Tolerance: +	20	%
Working Voltage:	400	V DC
Surge Test Voltage:	440	V DC

ESR	54	m'Ohms MAX @ 100 HZ,20°C
IMPEDANCE	36	m'Ohms MAX @ 10 KHZ,20°C

DC LEAKAGE	2.4	mA max @ Test Volts
Test Voltage	400.0V	DC

Rated ripple current	11.81	A rms at	100	Hz and	85 °C
Temperature range	-40	°C to	85	°C	

Approved _____ Date _____

Form : FM003.DES Iss : 2 Date : 10/08/93