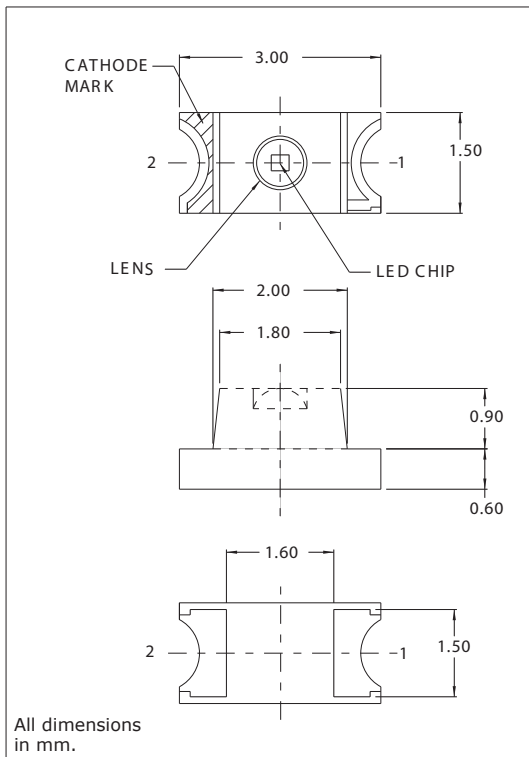


## 7010X Series SMT LEDs 1206 Package Size

### Description and Features



#### Surface Mount Technology

- Tape and reel packaged for high-speed autoinsertion.
- Convection and vapor-phase reflow compatible.
- Compact form enables high density placement.
- Packaged 2500 per reel.

#### Leading Edge LED Optoelectronic Performance

- Consistent high brightness.

#### Exceptional Reliability

- Stringent process controls assure quality.
  - Extensive qualification testing to meet strictest requirements.
  - Designed to permit easy post-reflow solder joint inspection.
- Refer to "Solder Pad Geometry 3.pdf"

## Electro-Optical Characteristics and Ratings

PART NUMBER	7010X1	7010X3	7010X5	7010X7	7010X11	7010X13	7010X15
Output Color	Red	Orange	Green	Yellow	Red	Yellow	Green
Diffusion	Non-Diffused	Non-Diffused	Non-Diffused	Non-Diffused	Non-Diffused	Non-Diffused	Non-Diffused
Package Color	Clear	Clear	Clear	Clear	Clear	Clear	Clear
Test Current (mA)	20	20	20	20	20	20	20
Forward Voltage Typ. (V)	2.0	2.2	2.1	2.1	1.7	2.2	2.1
Forward Voltage Max. (V)	2.5	2.5	2.5	2.5	2.0	2.5	2.5
Luminous Intensity Min. (mcd)	3.5	5.0	3.0	6.0	6.0	3.0	0.9
Luminous Intensity Typ. (mcd)	6.0	9.0	7.5	12.0	17.0	6.0	2.3
Luminous Intensity Max. (mcd)	-	-	-	-	-	-	-
Peak Wavelength (nm)	630	605	560	570	660	580	555
Viewing Angle 20 1/2 (degrees)	70	70	70	70	70	70	70
Power Dissipation (mW)	75	75	75	75	60	75	75
Operating Temperature (°C)	-30 to +85	-30 to +85	-30 to +85	-30 to +85	-30 to +85	-30 to +85	-30 to +85
Storage Temperature (°C)	-40 to +100	-40 to +100	-40 to +100	-40 to +100	-40 to +100	-40 to +100	-40 to +100
Peak Forward Current Max. (1µs @ 10% duty cycle) (mA)	70	70	70	70	70	70	70
Reverse Voltage (IR=100µA) (V)	4	4	4	4	4	4	4
Lead Solder Time @ 260°C	5	5	5	5	5	5	5