

1

2

3

4

5

6

A

B

C

D

E

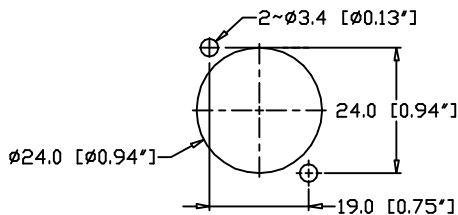
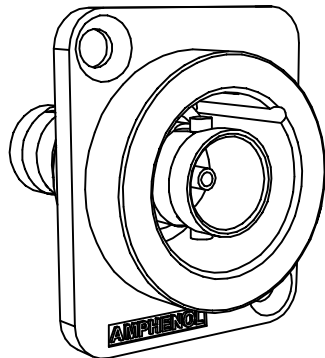
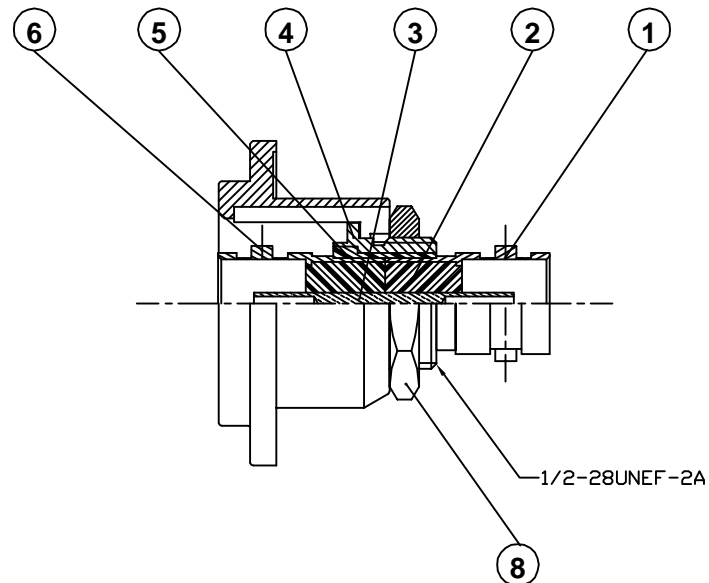
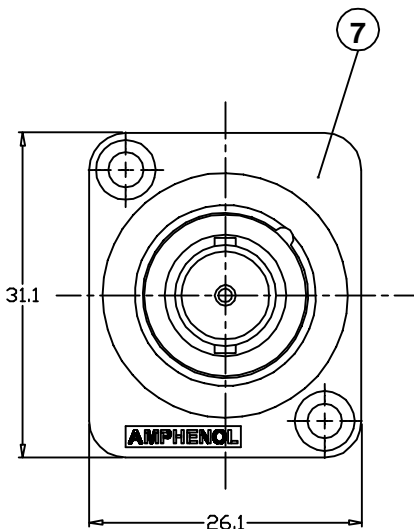
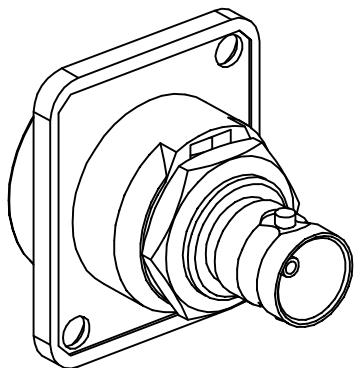
A

B

C

D

E



**MOUNTING DETAILS**

SCALE 1:1

(DIMENSIONS IN PARENTHESES ARE IN INCHES)



8	HN16-1/2-28X28	HN16-1/2-28X28	HEX NUT	01
7	5348001-*31	5348001-*31-1	D-SHELL	01
6	87925-5	87925-5	BODY	01
5	87925-4-A	87925-4-A	INSULATOR	01
4	87925-6-C	87925-6-C	HOUSING	01
3	87900-4	87900-4	CONTACT PIN	01
2	87996ZZ-3-57	87996ZZ-3-57	INSULATOR	02
1	87925-1-B	87925-1-B	BODY	01

UNLESS OTHERWISE SPECIFIED TOLERANCE TO BE		THIS DOCUMENT IS THE PROPERTY OF AMPHENOL AUSTRALIA PTY. LTD.. NO PART THEREOF MAY BE REPRODUCED AND USED WITHOUT THE PRIOR WRITTEN CONSENT OF THE OWNER		0	FIRST ISSUE	M.N.H.	29-09-2000	----
LINEAR	ANGULAR	CAD FILE: 55010008000110		REV.	CHANGE DETAILS	BY	DATE	CHG/No
X ± 1	X' ± 1'	DRN:	T.N.	DATE:	07-08-00	TITLE: AC SERIES BNC 75 Ohm JACK-JACK RECEPTACLE		
X.X ± 0.5	X'X' ± 30'	CKD:	M.N.H.	DATE:	29-09-00	Amphenol Australia Pty Ltd, 2 Fireways Blvd, Keaysborough, Vic 3173		
X.XX ± 0.10	X'X'X' ± 15'	APP'D:	P.M.	DATE:	29-09-00	DRAWING NO. SHEET		
DO NOT SCALE		FINISH: REFER TO COMPONENT		SCALE: 2:1 UOS		PART No: 55010008-000 SIZE: A3 55010008-000 1 of 1		

1

2

3

4

5

6

F

F