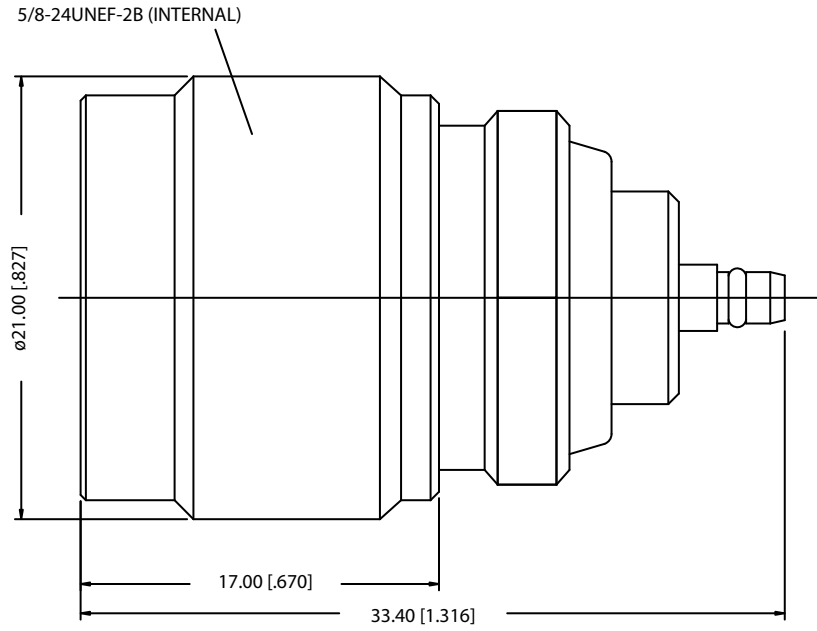


REV.	DATE	DESCRIPTION
NC	09/26/02	INITIAL RELEASE



8				UNLESS OTHERWISE SPECIFIED DIMENSIONS ARE IN MILLIMETERS	APPROVALS	DATE	<h2 style="text-align: center;">Amphenol - Connex</h2> <p style="text-align: center;">CONNECTOR CORPORATION</p>			
7					DRAWN	G.R.S.				09/26/02
6				DIMENSIONS IN [] ARE IN INCHES FOR CUSTOMER REFERENCE ONLY	CHECKED		TITLE N PLUG TO MMCX PLUG ADAPTOR			
5					ISSUED					
4	GASKET	SILICONE	RED	UNLESS OTHERWISE SPECIFIED TOLERANCES FOR INCHES ARE: .XXX = ± 0.005" .XX = ± 0.010" .X = ± 0.020"			SIZE	FSCM NO.	DWG. NO.	REV.
3	CONTACT PIN	BER. COPPER	GOLD				A	99001	242169.DWG	NC
2	INSULATOR	TEFLON	NATURAL				SCALE	PART NO.	SHEET	
1	BODY	BRASS	NICKEL	DO NOT SCALE DRAWING		NA	242169	1 OF 1		