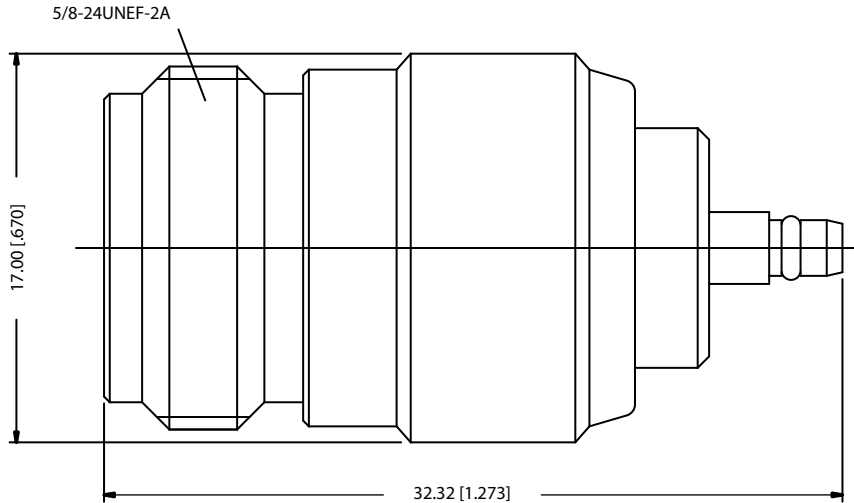


REV.	DATE	DESCRIPTION
NC	09/22/02	INITIAL RELEASE



8			
7			
6			
5			
4			
3	CONTACT PIN	PHOS. BRONZE	GOLD
2	INSULATOR	TEFLON	NATURAL
1	BODY	BRASS	NICKEL
	DESCRIPTION	MATERIAL	FINISH

UNLESS OTHERWISE SPECIFIED DIMENSIONS ARE IN MILLIMETERS	APPROVALS	DATE
	DRAWN G.R.S.	09/22/02
DIMENSIONS IN [ ] ARE IN INCHES FOR CUSTOMER REFERENCE ONLY	CHECKED	
	ISSUED	
UNLESS OTHERWISE SPECIFIED TOLERANCES FOR INCHES ARE: .XXX = ± 0.005" .XX = ± 0.010" .X = ± 0.020"		
DO NOT SCALE DRAWING		

<b>Amphenol - Connex</b> CONNECTOR CORPORATION			
TITLE N JACK TO MMCX PLUG ADAPTOR			
SIZE A	FSCM NO. 99001	DWG. NO. 242167.DWG	REV. NC
SCALE NA	PART NO. 242167	SHEET 1 OF 1	