




## Features

- Mini-compact size: 4 mm diameter, 4.2 mm length
- Surface mount device
- High voltage range
- High insulation resistance
- RoHS compliant\*
-  UL Recognized

## Applications

- Industrial equipment/electronics
- Telecommunications electronics
- Consumer electronics

# 2087 Series High Voltage Mini-2-Electrode Gas Discharge Tube

## Characteristics

Test Methods per ITU-T (CCITT) K.12 and IEC 61643-311.

Characteristic	Model No.					
	2087-80	2087-100	2087-120	2087-150	2087-180	2087-200
DC Sparkover $\pm 20\%$ @ 100 V/s	800 V	1000 V	1200 V	1500 V	1800 V	2000 V
Impulse Sparkover						
100 V/ $\mu$ s	< 1300 V	< 1500 V	< 1700 V	< 2000 V	< 2500 V	< 2700 V
1000 V/ $\mu$ s	< 1400 V	< 1600 V	< 1800 V	< 2100 V	< 2600 V	< 2800 V

Insulation Resistance (IR) <sup>1</sup> .....	250/500 Vdc .....	> 1 G $\Omega$
Glow Voltage .....	10 mA .....	~ 60 V
Arc Voltage .....	1 A .....	~ 15 V
Glow-Arc Transition Current .....		< 1 A
Capacitance .....	1 MHz .....	< 0.5 pF
Impulse Discharge Current .....	3,000 A, 8/20 $\mu$ s .....	1 operation
	2,000 A, 8/20 $\mu$ s .....	10 operations
Alternating Discharge Current	2 Arms, 50 Hz, 1 second .....	1 operation min.
	4 Arms, 50 Hz, 9 cycles .....	1 operation min.
Impulse Life .....	100 A, 10/1000 $\mu$ s .....	> 100 operations
Operating Temperature .....		-30 to +85 °C
Storage Temperature .....		-40 to +115 °C
Climatic Category (IEC 60068-1) .....		40 / 90 / 21

### Notes:

- 1 Insulation Resistance measured at 500 V for GDTs with >1000 V DCBD.
- UL Recognized component: UL File E135337.
  - At delivery AQL 0.65 Level II, DIN ISO 2859.

# **BOURNS®**

**Asia-Pacific:** Tel: +886-2 2562-4117 • Fax: +886-2 2562-4116

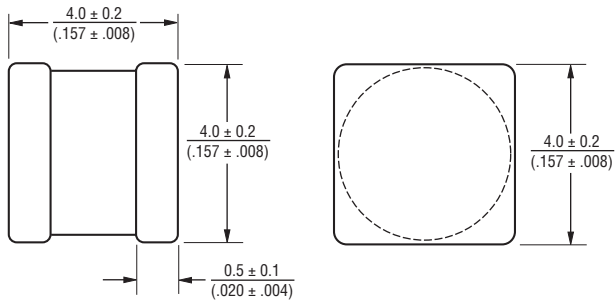
**Europe:** Tel: +41-41 768 5555 • Fax: +41-41 768 5510

**The Americas:** Tel: +1-951 781-5500 • Fax: +1-951 781-5700

**www.bourns.com**

# 2087 Series High Voltage Mini-2-Electrode Gas Discharge Tube Surge Protector **BOURNS®**

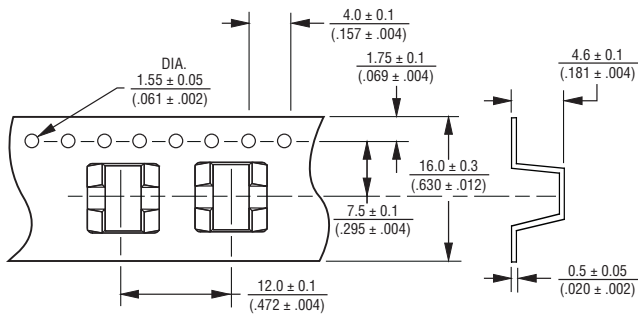
## Product Dimensions



DIMENSIONS:  $\frac{\text{MM}}{\text{(INCHES)}}$

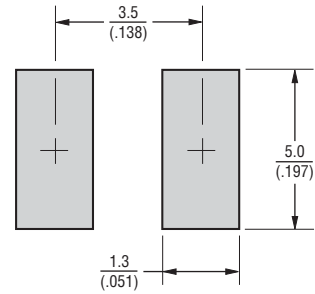
## Packaging Specifications

The Model 2087-xxx-SM ships standard reelpack (-RP), 900 pieces per reel, 2,700 pieces per box. Reel is 13 inches in diameter.



DIMENSIONS:  $\frac{\text{MM}}{\text{(INCHES)}}$

## Recommended Pad Layout



## How to Order

