

PHOENIX CONTACT High Current Terminal Blocks



RoHS Compliant This page of product is RoHS compliant.

PWO 4 AND 16 PANEL FEED THROUGH (PFT) TERMINAL BLOCKS WITH PUSH-IN CONNECTION

For quantities greater than listed, call for quote.

MOUSER STOCK NO.		Fig.	Phoenix Type	No. of Levels	No. of Connections	Nom. Cross Section: mm ²	AWG	Price Each				
Mfr.	Mfr. Part No.							1	10	50	100	
651	—3056912	A	PWO 4-POT-SCM	1	2	4	24-12	1.83	1.78	1.67	1.53	
651	—3059715	A	PWO 4-POT-SL	1	2	4	24-12	1.83	1.78	1.67	1.53	
651	—3059728	A	PWO 4-POT-SL/S	1	2	4	24-12	1.89	1.84	1.72	1.58	
651	—1705653	A	PWO 16-POT	1	2	16	14-4	7.37	7.16	6.70	6.16	
651	—1705654	A	PWO 16-POT/S	1	2	16	14-4	7.37	7.16	6.70	6.16	
Accessories		Description										
651	—1705655	-	DP-PWO 16-3 Spacer plate					-	1.02	.995	.93	.863
651	—1705657	-	DP-PWO 16-6 Spacer plate					-	1.10	1.07	1.00	.927
651	—1705658	-	DP-PWO 16-9 Spacer plate					-	1.21	1.17	1.10	1.02
651	—1705659	-	PWO 16-F Flange cover					-	.95	.931	.87	.807

PW 4 PANEL FEED THROUGH (PFT) TERMINAL BLOCKS WITH PUSH-IN AND SLIP-ON CONNECTION

For quantities greater than listed, call for quote.

MOUSER STOCK NO.		Fig.	Phoenix Type	No. of Levels	No. of Connections	Nom. Cross Section: mm ²	AWG	Price Each			
Mfr.	Mfr. Part No.							1	10	50	100
651	—3056941	A	PW4-POT-SCM/S	1	2	4	24-12	1.94	1.89	1.77	1.62
651	—3059731	A	PW4-POT-SL	1	2	4	24-12	1.84	1.79	1.68	1.54
651	—3059744	A	PW4-POT-SL/S	1	2	4	24-12	1.93	1.88	1.76	1.61

TW 50 PANEL FEED THROUGH (PFT) TERMINAL BLOCKS WITH T-LOX SPRING CONNECTION

For quantities greater than listed, call for quote.

MOUSER STOCK NO.		Fig.	Phoenix Type	No. of Levels	No. of Connections	Nom. Cross Section: mm ²	No. of Pos.	Price Each			
Mfr.	Mfr. Part No.							1	10	50	100
651	—1708744	B	TW 50/1-CL	1	2	50	1	17.19	15.69	14.78	14.56
651	—1708745	B	TW 50/2-CL	1	2	50	2	35.08	32.02	30.15	29.71
651	—1708746	B	TW 50/3-CL	1	2	50	3	52.55	47.96	45.16	44.50
651	—1708748	B	TW 50/4-CL	1	2	50	4	70.10	63.98	60.25	59.36
651	—1708749	B	TW 50/5-CL	1	2	50	5	87.64	79.99	75.33	74.22
651	—1708751	B	TW 50/6-CL	1	2	50	6	105.15	95.97	90.37	89.04

PLW 16 PANEL FEED THROUGH (PFT) TERMINAL BLOCKS WITH PUSH-LOCK CONNECTION

For quantities greater than listed, call for quote.

MOUSER STOCK NO.		Fig.	Phoenix Type	No. of Levels	No. of Connections	Nom. Cross Section: mm ²	AWG	Price Each			
Mfr.	Mfr. Part No.							1	10	50	100
651	—1821067	C	PLW 16-6/ 3-10	1	6	16	3	22.11	21.50	18.64	17.24
651	—1821070	C	PLW 16-6/ 4-10	1	8	16	4	27.63	26.87	23.29	21.55
651	—1821083	C	PLW 16-6/ 5-10	1	10	16	5	33.11	32.20	27.91	25.82

HIGH CURRENT PANEL FEED-THROUGH (PFT) TERMINAL BLOCKS

For quantities greater than listed, call for quote.

MOUSER STOCK NO.		Fig.	Phoenix Type	Description	Load Current	Price Each			
Mfr.	Mfr. Part No.					1	10	50	100
UW Connectors									
651	—3073306	D	UW 4	Universal screw PFT, 4mm ²	41A	5.94	5.77	5.40	4.96
651	—3073319	D	UW 4/S	Screw PFT, 4 mm ² w/alignment pins	41A	5.94	5.77	5.40	4.96
651	—3073348	D	UW 16	Screw PFT, 16mm ²	101A	11.81	11.49	10.74	9.88
651	—3073364	D	UW 25	Screw PFT, 25mm ²	125A	15.12	14.71	12.75	11.79
RW Connectors									
651	—3073584	E	RW 5	Ring/bolt connection PFT, M5 thread	76A	15.33	14.38	13.22	12.83
651	—3056145	E	RWO 8/S	Ring PFT open, M8 w/alignment pins	125A	15.79	14.80	13.61	13.21

HIGH CURRENT FEED-THRU TERMINAL BLOCKS FOR PANEL MOUNTING

For quantities greater than listed, call for quote.

MOUSER STOCK NO.		Fig.	Phoenix Type	AWG	Color	Conductor Connection	Current Rating	Price Each			
Mfr.	Mfr. Part No.							1	10	50	100
651	—0707086	F	HDFK 4	24-10	Gray	Horizontal	40A	6.51	6.26	5.87	5.69
651	—0707866	F	HDFK 4 GNYE	24-10	Green/Yellow	Horizontal	40A	6.79	6.52	6.01	5.69
651	—0709026	G	HDFK V 4	24-10	Gray	Vertical	40A	6.86	6.67	6.18	5.74

PLUGGABLE TERMINAL BLOCKS WITH SCREW FLANGES

3.81mm

• Max Current: 8A

For quantities greater than listed, call for quote.

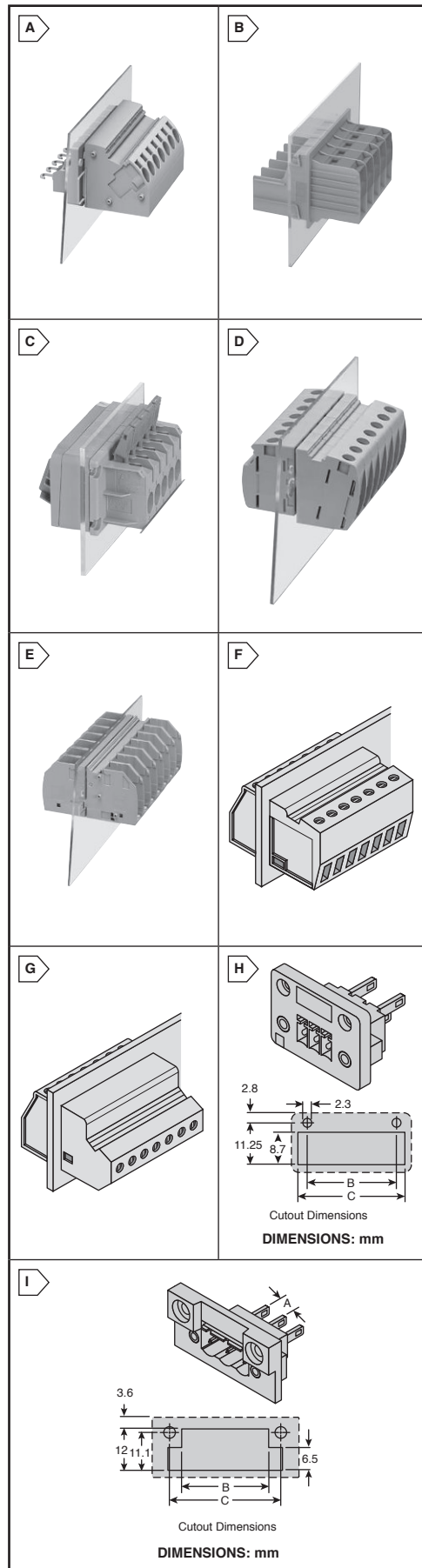
MOUSER STOCK NO.		Fig.	Phoenix Type	No. of Pos.	Dimensions: mm			Price Each			
Mfr.	Mfr. Part No.				A	B	C	1	10	50	100
Panel Feed-Through Headers with Threaded Flange											
651	—1829345	H	DFK-MC 1.5/2-GF-3.81	2	3.81	13.81	18.50	3.86	3.76	3.52	3.23
651	—1829358	H	DFK-MC 1.5/3-GF-3.81	3	3.81	17.62	22.30	4.73	4.60	4.30	3.95
651	—1829361	H	DFK-MC 1.5/4-GF-3.81	4	3.81	21.43	26.10	5.61	5.45	5.10	4.69
651	—1829374	H	DFK-MC 1.5/5-GF-3.81	5	3.81	25.24	29.90	6.53	6.35	5.94	5.46
651	—1829387	H	DFK-MC 1.5/6-GF-3.81	6	3.81	29.05	33.80	7.51	7.30	6.83	6.28
651	—1827596	H	DFK-MC 1.5/8-GF-3.81	8	3.81	36.67	41.40	9.31	9.06	8.47	7.79
651	—1829413	H	DFK-MC 1.5/10-GF-3.81	10	3.81	44.29	49.00	11.12	11.01	10.11	9.30
651	—1829439	H	DFK-MC 1.5/12-GF-3.81	12	3.81	51.91	56.60	12.98	12.62	11.80	10.85
Mounting Hardware for 3.81mm Panel Feed-Through Headers (Requires 2 Per Header for Mounting)											
651	—0710015	-	DFK-MC SS	1	ea of M 2x8 Screw, Washer & Nut			.28	.264	.256	.24

5.08mm

• Max Current: 10A

For quantities greater than listed, call for quote.

MOUSER STOCK NO.		Fig.	Phoenix Type	No. of Pos.	Dimensions: mm			Price Each			
Mfr.	Mfr. Part No.				A	B	C	1	10	50	100
Panel Feed-Through Headers with Threaded Flange											
651	—0710170	I	DFK-MSTB 2.5/2-GF-5.08	2	5.08	13.18	20.32	3.71	3.61	3.38	3.11
651	—0710183	I	DFK-MSTB 2.5/3-GF-5.08	3	5.08	18.26	25.40	4.61	4.49	4.20	3.86
651	—0710196	I	DFK-MSTB 2.5/4-GF-5.08	4	5.08	23.34	30.48	5.45	5.30	4.96	4.56
651	—0710206	I	DFK-MSTB 2.5/5-GF-5.08	5	5.08	28.42	35.56	6.38	6.20	5.80	5.33
651	—0710219	I	DFK-MSTB 2.5/6-GF-5.08	6	5.08	33.50	40.64	7.18	6.98	6.53	6.00
651	—0710235	I	DFK-MSTB 2.5/8-GF-5.08	8	5.08	43.66	50.80	8.83	8.59	8.03	7.38
651	—0710251	I	DFK-MSTB 2.5/10-GF-5.08	10	5.08	53.82	60.96	10.67	10.37	9.70	8.92
Mounting Hardware for 5.08mm Panel Feed-Through Headers (Requires 2 Per Header for Mounting)											
651	—0708263	-	DFK-MSTB-SS	1	ea. of M 3x10 Screw, Washer & Nut			.28	.269	.262	.244



Terminal Blocks Phoenix Contact