

PHOENIX CONTACT Pluggable Terminal Blocks



RoHS Compliant This page of product is RoHS compliant.

3.81MM PLUGGABLE TERMINAL BLOCKS WITH SCREW FLANGES

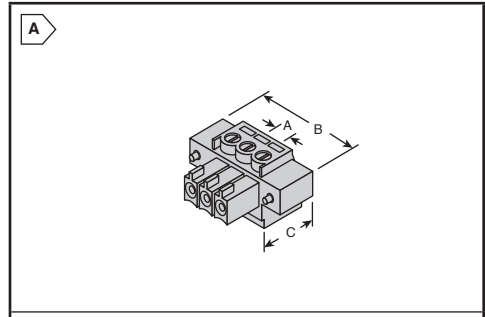
- RoHS Compliant per Phoenix documentation
- Color: Green
- Max. Voltage: 300V
- Captive Screws
- Max Current: 8A



Plugs with Screw Flange - Wire Size: 30-16AWG - Screw Clamp Wire Termination

For quantities greater than listed, call for quote.

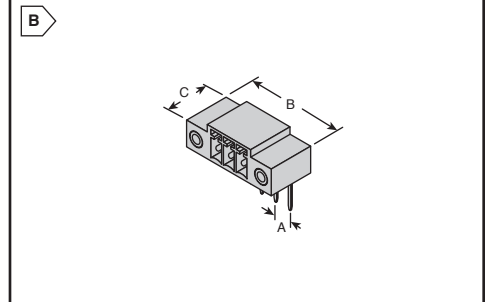
MOUSER STOCK NO.		Fig.	Phoenix Type	No. of Pos.	Dimensions: mm			Price Each			
Mfr.	Mfr. Part No.				A	B	C	1	10	50	100
651	1827703	A	MC 1.5/2-STF-3.81	2	3.81	8.41	9.50	2.17	2.17	2.00	1.92
651	1827716	A	MC 1.5/3-STF-3.81	3	3.81	12.22	9.50	3.30	3.30	3.05	2.93
651	1827729	A	MC 1.5/4-STF-3.81	4	3.81	16.03	9.50	4.38	4.20	4.03	3.87
651	1827732	A	MC 1.5/5-STF-3.81	5	3.81	19.84	9.50	5.50	5.27	5.07	4.87
651	1827745	A	MC 1.5/6-STF-3.81	6	3.81	23.65	9.50	6.55	6.37	5.96	5.48
651	1827761	A	MC 1.5/8-STF-3.81	8	3.81	27.46	9.50	8.77	8.55	7.99	7.35
651	1827787	A	MC 1.5/10-STF-3.81	10	3.81	31.27	9.50	10.96	10.66	9.97	9.17
651	1827800	A	MC 1.5/12-STF-3.81	12	3.81	35.08	9.50	13.17	12.81	11.98	11.02



Horizontal Headers with Threaded Flange

For quantities greater than listed, call for quote.

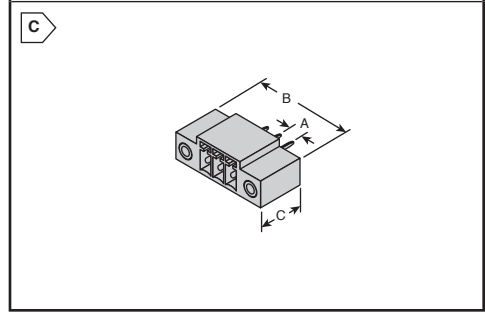
MOUSER STOCK NO.		Fig.	Phoenix Type	No. of Pos.	Dimensions: mm			Price Each			
Mfr.	Mfr. Part No.				A	B	C	1	10	50	100
651	1827868	B	MC 1.5/2-GF-3.81	2	3.81	18.01	7.25	2.44	2.34	2.24	2.17
651	1827871	B	MC 1.5/3-GF-3.81	3	3.81	21.82	7.25	2.87	2.74	2.62	2.55
651	1827884	B	MC 1.5/4-GF-3.81	4	3.81	25.63	7.25	3.21	3.07	2.94	2.86
651	1827897	B	MC 1.5/5-GF-3.81	5	3.81	29.44	7.25	3.59	3.43	3.28	3.19
651	1827907	B	MC 1.5/6-GF-3.81	6	3.81	33.25	7.25	3.79	3.67	3.57	3.34
651	1827923	B	MC 1.5/8-GF-3.81	8	3.81	37.06	7.25	4.46	4.32	4.20	3.93
651	1827949	B	MC 1.5/10-GF-3.81	10	3.81	40.87	7.25	5.20	5.03	4.90	4.58
651	1827965	B	MC 1.5/12-GF-3.81	12	3.81	44.68	7.25	5.68	5.53	5.17	4.75



Vertical Headers with Threaded Flange

For quantities greater than listed, call for quote.

MOUSER STOCK NO.		Fig.	Phoenix Type	No. of Pos.	Dimensions: mm			Price Each			
Mfr.	Mfr. Part No.				A	B	C	1	10	50	100
651	1830596	C	MCV 1.5/2-GF-3.81	2	3.81	18.01	9.20	2.45	2.34	2.24	2.17
651	1830606	C	MCV 1.5/3-GF-3.81	3	3.81	21.82	9.20	2.87	2.74	2.62	2.55
651	1830619	C	MCV 1.5/4-GF-3.81	4	3.81	25.63	9.20	3.21	3.07	2.94	2.86
651	1830622	C	MCV 1.5/5-GF-3.81	5	3.81	29.44	9.20	3.60	3.44	3.30	3.20
651	1830635	C	MCV 1.5/6-GF-3.81	6	3.81	33.25	9.20	3.80	3.68	3.58	3.35
651	1830651	C	MCV 1.5/8-GF-3.81	8	3.81	37.06	9.20	4.46	4.32	4.20	3.93
651	1830677	C	MCV 1.5/10-GF-3.81	10	3.81	40.87	9.20	5.20	5.03	4.90	4.58
651	1830693	C	MCV 1.5/12-GF-3.81	12	3.81	44.68	9.20	5.68	5.53	5.17	4.75



5.08MM PLUGGABLE TERMINAL BLOCKS WITH SCREW FLANGES

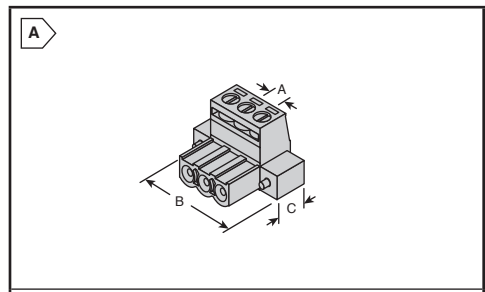
- RoHS Compliant per Phoenix documentation
- Color: Green
- Max. Voltage: 300V
- Captive Screws
- Max Current: 10A



Plugs with Screw Flange - Wire Size: 30-12AWG - Screw Clamp Wire Termination

For quantities greater than listed, call for quote.

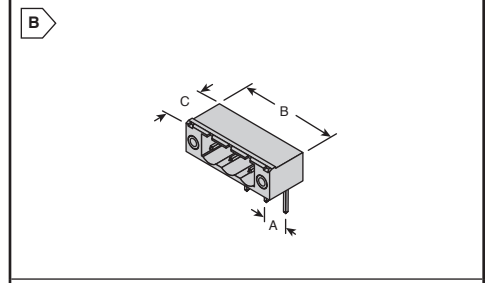
MOUSER STOCK NO.		Fig.	Phoenix Type	No. of Pos.	Dimensions: mm			Price Each			
Mfr.	Mfr. Part No.				A	B	C	1	10	50	100
651	1777989	A	MSTB 2.5/2-STF-5.08	2	5.08	20.32	9.90	2.16	2.15	1.99	1.92
651	1777992	A	MSTB 2.5/3-STF-5.08	3	5.08	25.40	9.90	3.19	3.19	3.10	2.90
651	1778001	A	MSTB 2.5/4-STF-5.08	4	5.08	30.48	9.90	4.22	4.21	4.09	3.83
651	1778014	A	MSTB 2.5/5-STF-5.08	5	5.08	35.56	9.90	5.26	5.26	5.12	4.79
651	1778027	A	MSTB 2.5/6-STF-5.08	6	5.08	40.64	9.90	6.33	6.08	5.60	5.30
651	1778043	A	MSTB 2.5/8-STF-5.08	8	5.08	45.72	9.90	8.42	8.22	7.69	7.07
651	1778069	A	MSTB 2.5/10-STF-5.08	10	5.08	50.80	9.90	10.52	10.24	9.57	8.80



Horizontal Headers with Threaded Flange

For quantities greater than listed, call for quote.

MOUSER STOCK NO.		Fig.	Phoenix Type	No. of Pos.	Dimensions: mm			Price Each			
Mfr.	Mfr. Part No.				A	B	C	1	10	50	100
651	1776508	B	MSTB 2.5/2-GF-5.08	2	5.08	20.32	8.60	1.75	1.68	1.61	1.55
651	1776511	B	MSTB 2.5/3-GF-5.08	3	5.08	25.40	8.60	2.67	2.56	2.45	2.38
651	1776524	B	MSTB 2.5/4-GF-5.08	4	5.08	30.48	8.60	3.56	3.41	3.26	3.17
651	1776537	B	MSTB 2.5/5-GF-5.08	5	5.08	35.56	8.60	4.46	4.27	4.09	3.97
651	1776540	B	MSTB 2.5/6-GF-5.08	6	5.08	40.64	8.60	5.06	4.90	4.77	4.46
651	1776566	B	MSTB 2.5/8-GF-5.08	8	5.08	45.72	8.60	6.78	6.56	6.38	5.97
651	1776582	B	MSTB 2.5/10-GF-5.08	10	5.08	50.80	8.60	8.44	8.17	7.95	7.43



Vertical Headers with Threaded Flange

For quantities greater than listed, call for quote.

MOUSER STOCK NO.		Fig.	Phoenix Type	No. of Pos.	Dimensions: mm			Price Each			
Mfr.	Mfr. Part No.				A	B	C	1	10	50	100
651	1777073	C	MSTBV 2.5/2-GF-5.08	2	5.08	20.32	12.00	2.65	2.53	2.43	2.36
651	1777086	C	MSTBV 2.5/3-GF-5.08	3	5.08	25.40	12.00	3.07	2.93	2.81	2.73
651	1777099	C	MSTBV 2.5/4-GF-5.08	4	5.08	30.48	12.00	3.55	3.39	3.25	3.16
651	1777109	C	MSTBV 2.5/5-GF-5.08	5	5.08	35.56	12.00	3.84	3.67	3.52	3.41
651	1777112	C	MSTBV 2.5/6-GF-5.08	6	5.08	40.64	12.00	4.06	3.93	3.83	3.58
651	1777138	C	MSTBV 2.5/8-GF-5.08	8	5.08	45.72	12.00	4.85	4.69	4.56	4.27
651	1777154	C	MSTBV 2.5/10-GF-5.08	10	5.08	50.80	12.00	5.64	5.46	5.31	4.97

