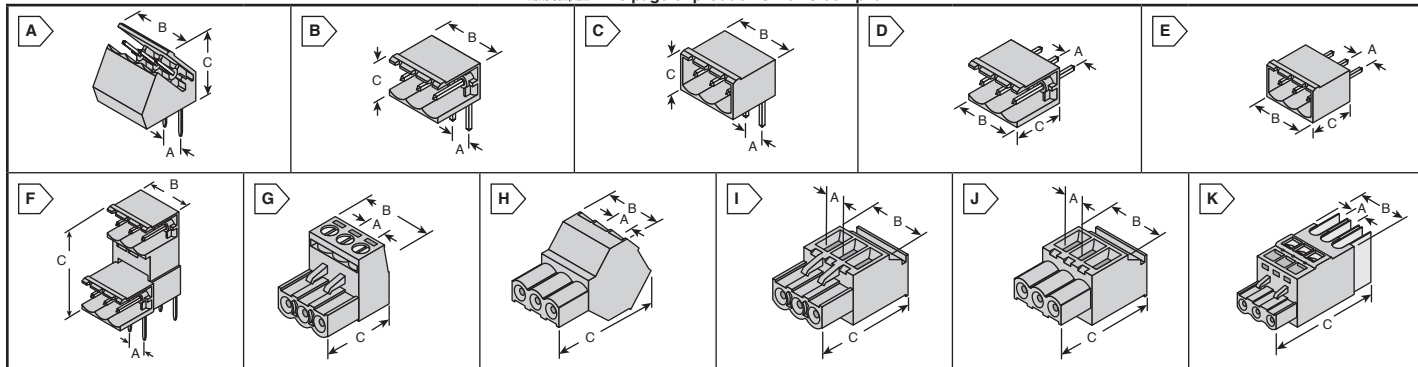


PHOENIX CONTACT 5.08mm Pluggable Terminal Blocks



This page of product is RoHS compliant.



5.08MM HEADERS

PCB, Single Level, Through-Hole Solder Mounting

- RoHS Compliant per Phoenix documentation
- UL: 150V @ 15A and 300V @ 10A
- Color: Green



For quantities greater than listed, call for quote.

MOUSER STOCK NO.		Fig.	Phoenix Type	Pos.	Dimensions: mm			Price Each		
Mfr.	Mfr. Part No.				A	B	C	1	10	50
135° Socket-to-Pin Orientation Without Side Panels										
651-1769463	A	SMSTB 2.5/2-G-5.08	2	5.08	10.16	14.8	.70	.685	.64	
651-1769476	A	SMSTB 2.5/3-G-5.08	3	5.08	15.24	14.8	1.08	1.05	.99	
651-1769492	A	SMSTB 2.5/5-G-5.08	5	5.08	25.40	14.8	1.77	1.72	1.61	
651-1769502	A	SMSTB 2.5/6-G-5.08	6	5.08	30.48	14.8	2.11	2.05	1.92	
651-1769544	A	SMSTB 2.5/10-G-5.08	10	5.08	50.80	14.8	3.47	3.38	3.16	
651-1769560	A	SMSTB 2.5/12-G-5.08	12	5.08	60.96	14.8	4.21	4.09	3.83	
90° Socket-to-Pin Orientation Without Side Panels										
651-1759017	B	MSTB 2.5/2-G-5.08	2	5.08	10.16	8.6	.55	.53	.51	
651-1759020	B	MSTB 2.5/3-G-5.08	3	5.08	15.24	8.6	.91	.873	.836	
651-1759033	B	MSTB 2.5/4-G-5.08	4	5.08	20.32	8.6	1.24	1.19	1.14	
651-1759046	B	MSTB 2.5/5-G-5.08	5	5.08	25.40	8.6	1.56	1.49	1.43	
651-1759059	B	MSTB 2.5/6-G-5.08	6	5.08	30.48	8.6	1.68	1.63	1.55	
651-1759062	B	MSTB 2.5/7-G-5.08	7	5.08	35.56	8.6	2.02	1.95	1.86	
651-1759075	B	MSTB 2.5/8-G-5.08	8	5.08	40.64	8.6	2.30	2.23	2.13	
651-1759088	B	MSTB 2.5/9-G-5.08	9	5.08	45.72	8.6	2.61	2.53	2.46	
651-1759091	B	MSTB 2.5/10-G-5.08	10	5.08	50.80	8.6	2.86	2.77	2.64	
651-1759114	B	MSTB 2.5/12-G-5.08	12	5.08	60.96	8.6	3.38	3.29	3.08	
90° Socket-to-Pin Orientation										
651-1757242	C	MSTBA2.5/2-G-5.08	2	5.08	12.16	8.6	.57	.55	.52	
651-1757255	C	MSTBA2.5/3-G-5.08	3	5.08	17.24	8.6	.91	.873	.836	
651-1757268	C	MSTBA2.5/4-G-5.08	4	5.08	22.32	8.6	1.23	1.18	1.13	
651-1757271	C	MSTBA2.5/5-G-5.08	5	5.08	27.40	8.6	1.54	1.48	1.41	
651-1757284	C	MSTBA2.5/6-G-5.08	6	5.08	32.48	8.6	1.66	1.62	1.53	
651-1757297	C	MSTBA2.5/7-G-5.08	7	5.08	37.56	8.6	2.02	1.95	1.90	
651-1757307	C	MSTBA2.5/8-G-5.08	8	5.08	42.64	8.6	2.29	2.22	2.12	
651-1757310	C	MSTBA2.5/9-G-5.08	9	5.08	47.72	8.6	2.61	2.53	2.43	
651-1757323	C	MSTBA2.5/10-G-5.08	10	5.08	52.80	8.6	2.82	2.73	2.59	
651-1757336	C	MSTBA2.5/11-G-5.08	11	5.08	57.88	8.6	3.08	2.99	2.80	
651-1757349	C	MSTBA2.5/12-G-5.08	12	5.08	62.96	8.6	3.34	3.25	3.04	
180° Socket-to-Pin Orientation Without Side Panels										
651-1758018	D	MSTBV 2.5/2-G-5.08	2	5.08	10.16	12.0	.57	.55	.52	
651-1758021	D	MSTBV 2.5/3-G-5.08	3	5.08	15.24	12.0	.91	.873	.836	
651-1758034	D	MSTBV 2.5/4-G-5.08	4	5.08	20.32	12.0	1.23	1.18	1.13	
651-1758047	D	MSTBV 2.5/5-G-5.08	5	5.08	25.40	12.0	1.56	1.49	1.43	
651-1758050	D	MSTBV 2.5/6-G-5.08	6	5.08	30.48	12.0	1.68	1.63	1.59	
651-1758063	D	MSTBV 2.5/7-G-5.08	7	5.08	35.56	12.0	2.02	1.95	1.86	
651-1758076	D	MSTBV 2.5/8-G-5.08	8	5.08	40.64	12.0	2.30	2.23	2.13	
651-1758089	D	MSTBV 2.5/9-G-5.08	9	5.08	45.72	12.0	2.61	2.53	2.46	
651-1758092	D	MSTBV 2.5/10-G-5.08	10	5.08	50.80	12.0	2.86	2.77	2.64	
651-1758115	D	MSTBV 2.5/12-G-5.08	12	5.08	60.96	12.0	3.38	3.29	3.08	
180° Socket-to-Pin Orientation										
651-1755736	E	MSTBVA2.5/2-G-5.08	2	5.08	12.16	12.0	.55	.53	.51	
651-1755749	E	MSTBVA2.5/3-G-5.08	3	5.08	17.24	12.0	.91	.873	.836	
651-1755752	E	MSTBVA2.5/4-G-5.08	4	5.08	22.32	12.0	1.23	1.18	1.13	
651-1755765	E	MSTBVA2.5/5-G-5.08	5	5.08	27.40	12.0	1.54	1.48	1.41	
651-1755778	E	MSTBVA2.5/6-G-5.08	6	5.08	32.48	12.0	1.66	1.62	1.53	
651-1755781	E	MSTBVA2.5/7-G-5.08	7	5.08	37.56	12.0	1.99	1.94	1.84	
651-1755794	E	MSTBVA2.5/8-G-5.08	8	5.08	42.64	12.0	2.29	2.22	2.12	
651-1755807	E	MSTBVA2.5/9-G-5.08	9	5.08	47.72	12.0	2.61	2.53	2.43	
651-1755817	E	MSTBVA2.5/10-G-5.08	10	5.08	52.80	12.0	2.80	2.73	2.58	
651-1755820	E	MSTBVA2.5/11-G-5.08	11	5.08	57.88	12.0	3.08	2.99	2.80	
651-1755833	E	MSTBVA2.5/12-G-5.08	12	5.08	62.96	12.0	3.34	3.25	3.04	

5.08MM PLUGS

Screw Clamp Wire Termination

- RoHS Compliant per Phoenix documentation
- UL: 150V @ 15A and 300V @ 10A, 30-12AWG
- Color: Green



For quantities greater than listed, call for quote.

MOUSER STOCK NO.		Fig.	Phoenix Type	Pos.	Dimensions: mm			Price Each		
Mfr.	Mfr. Part No.				A	B	C	1	10	50
180° Wire-to-Plug Orientation										
651-1757019	G	MSTB 2.5/2-ST-5.08	2	5.08	10.16	18.2	1.66	1.66	1.53	
651-1757022	G	MSTB 2.5/3-ST-5.08	3	5.08	15.24	18.2	2.52	2.51	2.33	
651-1757035	G	MSTB 2.5/4-ST-5.08	4	5.08	20.32	18.2	3.37	3.35	3.10	
651-1757048	G	MSTB 2.5/5-ST-5.08	5	5.08	25.40	18.2	4.16	4.16	3.84	
651-1757051	G	MSTB 2.5/6-ST-5.08	6	5.08	30.48	18.2	5.01	4.89	4.57	
651-1757064	G	MSTB 2.5/7-ST-5.08	7	5.08	35.56	18.2	5.88	5.72	5.35	
651-1757077	G	MSTB 2.5/8-ST-5.08	8	5.08	40.64	18.2	6.71	6.52	6.10	
651-1757080	G	MSTB 2.5/9-ST-5.08	9	5.08	45.72	18.2	7.54	7.34	6.86	
651-1757093	G	MSTB 2.5/10-ST-5.08	10	5.08	50.80	18.2	8.36	8.17	7.64	
651-1757103	G	MSTB 2.5/11-ST-5.08	11	5.08	55.88	18.2	9.21	8.96	8.38	
651-1757116	G	MSTB 2.5/12-ST-5.08	12	5.08	60.96	18.2	10.05	9.78	9.14	
135° Wire-to-Plug Orientation										
651-1826283	H	SMSTB 2.5/2-ST-5.08	2	5.08	10.16	25.5	2.36	2.30	2.15	
651-1826296	H	SMSTB 2.5/3-ST-5.08	3	5.08	15.24	25.5	3.48	3.46	3.20	
651-1826306	H	SMSTB 2.5/4-ST-5.08	4	5.08	20.32	25.5	4.67	4.56	4.26	
651-1826319	H	SMSTB 2.5/5-ST-5.08	5	5.08	25.40	25.5	5.88	5.84	5.42	
651-1826322	H	SMSTB 2.5/6-ST-5.08	6	5.08	30.48	25.5	7.02	6.83	6.39	
651-1826335	H	SMSTB 2.5/7-ST-5.08	7	5.08	35.56	25.5	8.20	7.98	7.46	
651-1826348	H	SMSTB 2.5/8-ST-5.08	8	5.08	40.64	25.5	9.38	9.12	8.53	
651-1826364	H	SMSTB 2.5/10-ST-5.08	10	5.08	50.80	25.5	11.72	11.42	10.68	
90° Wire-to-Plug Orientation										
651-1792249	I	MVSTBR 2.5/2-ST-5.08	2	5.08	10.16	26.0	1.96	1.94	1.81	
651-1792252	I	MVSTBR 2.5/3-ST-5.08	3	5.08	15.24	26.0	2.92	2.90	2.68	
651-1792265	I	MVSTBR 2.5/4-ST-5.08	4	5.08	20.32	26.0	3.91	3.81	3.56	
651-1792278	I	MVSTBR 2.5/5-ST-5.08	5	5.08	25.40	26.0	4.89	4.86	4.50	
651-1792281	I	MVSTBR 2.5/6-ST-5.08	6	5.08	30.48	26.0	5.85	5.69	5.32	
651-1792294	I	MVSTBR 2.5/7-ST-5.08	7	5.08	35.56	26.0	6.82	6.65	6.22	
651-1792304	I	MVSTBR 2.5/8-ST-5.08	8	5.08	40.64	26.0	7.79	7.58	7.09	
651-1792317	I	MVSTBR 2.5/9-ST-5.08	9	5.08	45.72	26.0	8.78	8.56	8.00	
651-1792320	I	MVSTBR 2.5/10-ST-5.08	10	5.08	50.80	26.0	9.76	9.51	8.89	
651-1792333	I	MVSTBR 2.5/11-ST-5.08	11	5.08	55.88	26.0	10.73	10.44	9.76	
651-1792346	I	MVSTBR 2.5/12-ST-5.08	12	5.08	60.96	26.0	11.71	11.40	10.66	
270° Wire-to-Plug Orientation										
651-1792757	J	MVSTBW 2.5/2-ST-5.08	2	5.08	10.16	26.0	1.96	1.91	1.78	
651-1792760	J	MVSTBW 2.5/3-ST-5.08	3	5.08	15.24	26.0	2.92	2.85	2.66	
651-1792773	J	MVSTBW 2.5/4-ST-5.08	4	5.08	20.32	26.0	3.91	3.89	3.60	
651-1792786	J	MVSTBW 2.5/5-ST-5.08	5	5.08	25.40	26.0	4.89	4.76	4.45	
651-1792799	J	MVSTBW 2.5/6-ST-5.08	6	5.08	30.48	26.0	5.85	5.69	5.32	
651-1792809	J	MVSTBW 2.5/7-ST-5.08	7	5.08	35.56	26.0	6.82	6.65	6.22	
651-1792812	J	MVSTBW 2.5/8-ST-5.08	8	5.08	40.64	26.0	7.79	7.58	7.09	
651-1792825	J	MVSTBW 2.5/9-ST-5.08	9	5.08	45.72	26.0	8.78	8.56	8.00	
651-1792838	J	MVSTBW 2.5/10-ST-5.08	10	5.08	50.80	26.0	9.76	9.51	8.89	
651-1792841	J	MVSTBW 2.5/11-ST-5.08	11	5.08	55.88	26.0	10.73	10.44	9.76	
651-1792854	J	MVSTBW 2.5/12-ST-5.08	12	5.08						