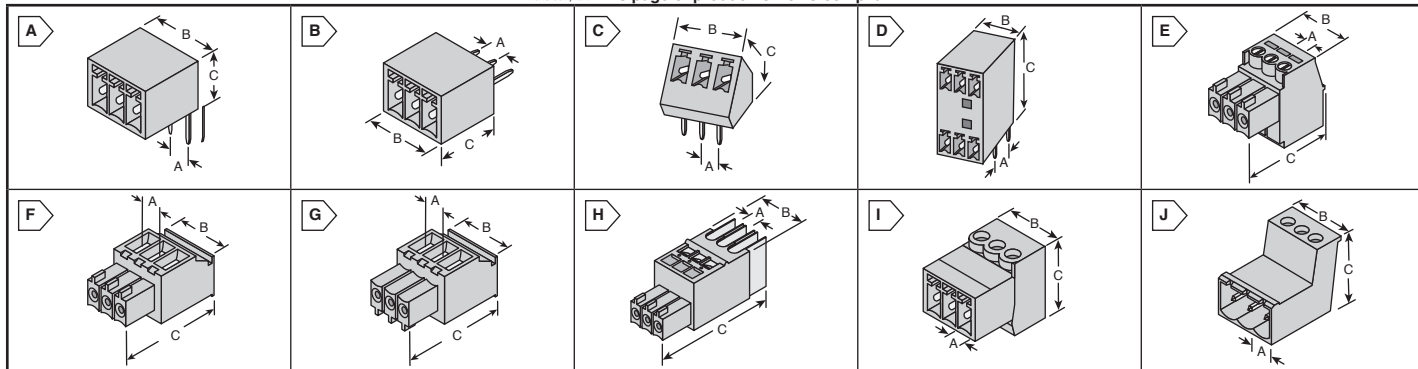


# PHOENIX CONTACT Pluggable Terminal Blocks



This page of product is RoHS compliant.



## 3.81MM HEADERS

\* RoHS Compliant per Phoenix documentation \* UL: 300V @ 8A, 30-14AWG \* Color: Green File# E60425

PCB, Single Level, Through-Hole Solder Mounting

MOUSER STOCK NO.	Fig.	Phoenix Type	Pos.	Dimensions: mm			Price Each		
				A	B	C	1	10	50
<b>90° Socket-to-Pin Orientation</b>									
651-1803277	A	MC 1.5/2-G-3.81	2	3.81	9.01	7.25	.73	.70	.671
651-1803280	A	MC 1.5/3-G-3.81	3	3.81	12.82	7.25	1.11	1.06	1.02
651-1803293	A	MC 1.5/4-G-3.81	4	3.81	16.63	7.25	1.51	1.44	1.38
651-1803303	A	MC 1.5/5-G-3.81	5	3.81	20.44	7.25	1.84	1.76	1.69
651-1803316	A	MC 1.5/6-G-3.81	6	3.81	24.25	7.25	2.12	2.05	1.97
651-1803329	A	MC 1.5/7-G-3.81	7	3.81	28.06	7.25	2.48	2.40	2.30
651-1803332	A	MC 1.5/8-G-3.81	8	3.81	31.87	7.25	2.80	2.72	2.58
651-1803345	A	MC 1.5/9-G-3.81	9	3.81	35.68	7.25	3.20	3.10	2.95
651-1803358	A	MC 1.5/10-G-3.81	10	3.81	39.49	7.25	3.53	3.42	3.26
651-1803361	A	MC 1.5/11-G-3.81	11	3.81	43.30	7.25	3.79	3.69	3.45
651-1803374	A	MC 1.5/12-G-3.81	12	3.81	47.11	7.25	4.12	4.01	3.75
651-1803387	A	MC 1.5/13-G-3.81	13	3.81	50.92	7.25	4.46	4.34	4.06
651-1803390	A	MC 1.5/14-G-3.81	14	3.81	54.73	7.25	4.78	4.65	4.35
651-1803400	A	MC 1.5/15-G-3.81	15	3.81	58.54	7.25	5.13	4.99	4.67
651-1803413	A	MC 1.5/16-G-3.81	16	3.81	62.35	7.25	5.45	5.30	4.96

MOUSER STOCK NO.	Fig.	Phoenix Type	Pos.	Dimensions: mm			Price Each		
				A	B	C	1	10	50
<b>180° Socket-to-Pin Orientation</b>									
651-1803426	B	MCV 1.5/2-G-3.81	2	3.81	9.01	9.2	.73	.70	.671
651-1803439	B	MCV 1.5/3-G-3.81	3	3.81	12.82	9.2	1.11	1.06	1.02
651-1803442	B	MCV 1.5/4-G-3.81	4	3.81	16.63	9.2	1.51	1.44	1.38
651-1803455	B	MCV 1.5/5-G-3.81	5	3.81	20.44	9.2	1.84	1.76	1.69
651-1803468	B	MCV 1.5/6-G-3.81	6	3.81	24.25	9.2	2.10	2.04	1.94
651-1803471	B	MCV 1.5/7-G-3.81	7	3.81	28.06	9.2	2.48	2.40	2.30
651-1803484	B	MCV 1.5/8-G-3.81	8	3.81	31.87	9.2	2.76	2.69	2.55
651-1803497	B	MCV 1.5/9-G-3.81	9	3.81	35.68	9.2	3.20	3.10	2.95
651-1803507	B	MCV 1.5/10-G-3.81	10	3.81	39.49	9.2	3.53	3.42	3.26
651-1803510	B	MCV 1.5/11-G-3.81	11	3.81	43.30	9.2	3.79	3.69	3.45
651-1803523	B	MCV 1.5/12-G-3.81	12	3.81	47.11	9.2	4.14	4.03	3.77
651-1803536	B	MCV 1.5/13-G-3.81	13	3.81	50.92	9.2	4.46	4.34	4.06
651-1803549	B	MCV 1.5/14-G-3.81	14	3.81	54.73	9.2	4.77	4.65	4.35
651-1803552	B	MCV 1.5/15-G-3.81	15	3.81	58.54	9.2	5.13	4.99	4.67
651-1803565	B	MCV 1.5/16-G-3.81	16	3.81	62.35	9.2	5.45	5.30	4.96

MOUSER STOCK NO.	Fig.	Phoenix Type	Pos.	Dimensions: mm			Price Each		
				A	B	C	1	10	50
<b>45° Socket-to-Pin Orientation</b>									
651-1827279	C	SMC 1.5/2-G-3.81	2	3.81	9.01	11	.87	.845	.79
651-1827282	C	SMC 1.5/3-G-3.81	3	3.81	12.82	11	1.27	1.23	1.15
651-1827295	C	SMC 1.5/4-G-3.81	4	3.81	16.63	11	1.73	1.68	1.57
651-1827305	C	SMC 1.5/5-G-3.81	5	3.81	20.44	11	2.18	2.12	1.98
651-1827318	C	SMC 1.5/6-G-3.81	6	3.81	24.25	11	2.56	2.49	2.33
651-1827321	C	SMC 1.5/7-G-3.81	7	3.81	28.06	11	2.97	2.88	2.70
651-1827334	C	SMC 1.5/8-G-3.81	8	3.81	31.87	11	3.37	3.28	3.07
651-1827350	C	SMC 1.5/10-G-3.81	10	3.81	39.49	11	4.22	4.10	3.84
651-1827376	C	SMC 1.5/12-G-3.81	12	3.81	47.11	11	5.08	4.94	4.62

## Double Level, Through-Hole Solder Mounting

MOUSER STOCK NO.	Fig.	Phoenix Type	Pos.	Dimensions: mm			Price Each		
				A	B	C	1	10	50
<b>90° Socket-to-Pin Orientation</b>									
651-1843075	D	MCD 1.5/2-G1-3.81	2	12.70	9.01	22.7	2.27	2.21	2.07
651-1843088	D	MCD 1.5/3-G1-3.81	3	12.70	12.82	22.7	3.41	3.31	3.10
651-1843091	D	MCD 1.5/4-G1-3.81	4	12.70	16.63	22.7	4.56	4.44	4.15
651-1843101	D	MCD 1.5/5-G1-3.81	5	12.70	20.44	22.7	5.67	5.52	5.16
651-1843114	D	MCD 1.5/6-G1-3.81	6	12.70	24.25	22.7	6.82	6.63	6.20
651-1843127	D	MCD 1.5/7-G1-3.81	7	12.70	28.06	22.7	7.97	7.75	7.25
651-1843130	D	MCD 1.5/8-G1-3.81	8	12.70	31.87	22.7	9.10	8.86	8.28
651-1843143	D	MCD 1.5/9-G1-3.81	9	12.70	35.68	22.7	10.27	9.99	9.34
651-1843156	D	MCD 1.5/10-G1-3.81	10	12.70	39.49	22.7	11.36	11.05	10.33
651-1843172	D	MCD 1.5/12-G1-3.81	12	12.70	47.11	22.7	13.65	13.27	12.41

## 3.81MM PLUGS

\* RoHS Compliant per Phoenix documentation \* UL: 300V @ 8A, 30-14AWG \* Color: Green

Screw Clamp Wire Termination

MOUSER STOCK NO.	Fig.	Phoenix Type	Pos.	Dimensions: mm			Price Each		
				A	B	C	1	10	50
<b>180° Wire-to-Plug Orientation</b>									
651-1803578	E	IMC 1.5/2-ST-3.81	2	3.81	8.41	15.5	1.93	1.93	1.78
651-1803581	E	IMC 1.5/3-ST-3.81	3	3.81	12.22	15.5	2.90	2.90	2.67
651-1803594	E	IMC 1.5/4-ST-3.81	4	3.81	16.03	15.5	3.85	3.85	3.54
651-1803604	E	IMC 1.5/5-ST-3.81	5	3.81	19.84	15.5	4.85	4.85	4.32
651-1803617	E	IMC 1.5/6-ST-3.81	6	3.81	23.65	15.5	5.79	5.65	5.28
651-1803620	E	IMC 1.5/7-ST-3.81	7	3.81	27.46	15.5	6.83	6.64	6.21
651-1803633	E	IMC 1.5/8-ST-3.81	8	3.81	31.27	15.5	7.69	7.49	7.00
651-1803646	E	IMC 1.5/9-ST-3.81	9	3.81	35.08	15.5	8.77	8.55	7.99
651-1803659	E	IMC 1.5/10-ST-3.81	10	3.81	38.89	15.5	9.71	9.44	8.83

## 3.81MM PLUGS (CONT.)

Screw Clamp Wire Termination (Cont.)

For quantities greater than listed, call for quote.

MOUSER STOCK NO.	Fig.	Phoenix Type	Pos.	Dimensions: mm			Price Each		
				A	B	C	1	10	50
<b>180° Wire-to-Plug Orientation (Cont.)</b>									
651-1803662	E	MC 1.5/11-ST-3.81	11	3.81	42.07	15.5	10.71	10.43	9.75
651-1803675	E	MC 1.5/12-ST-3.81	12	3.81	46.51	15.5	11.68	11.36	10.62
<b>90° Wire-to-Plug Orientation</b>									
651-1827127	F	MCVR 1.5/2-ST-3.81	2	3.81	8.41	19.1	2.11	2.10	1.95
651-1827130	F	MCVR 1.5/3-ST-3.81	3	3.81	12.22	19.1	3.14	3.05	2.85
651-1827143	F	MCVR 1.5/4-ST-3.81	4	3.81	16.03	19.1	4.16	4.14	3.84
651-1827156	F	MCVR 1.5/5-ST-3.81	5	3.81	19.84	19.1	5.23	5.20	4.77
651-1827169	F	MCVR 1.5/6-ST-3.81	6	3.81	23.65	19.1	6.29	6.13	5.73
651-1827172	F	MCVR 1.5/7-ST-3.81	7	3.81	27.46	19.1	7.33	7.13	6.67
651-1827185	F	MCVR 1.5/8-ST-3.81	8	3.81	31.27	19.1	8.41	8.18	7.65
651-1827198	F	MCVR 1.5/9-ST-3.81	9	3.81	35.08	19.1	9.46	9.20	8.60
651-1827208	F	MCVR 1.5/10-ST-3.81	10	3.81	38.89	19.1	10.48	10.19	9.53
651-1827224	F	MCVR 1.5/12-ST-3.81	12	3.81	46.51	19.1	12.61	12.27	11.47
651-1827237	F	MCVR 1.5/13-ST-3.81	13	3.81	50.32	19.1	13.65	13.27	12.41
651-1827240	F	MCVR 1.5/14-ST-3.81	14	3.81	54.13	19.1	14.71	14.31	13.38
651-1827266	F	MCVR 1.5/16-ST-3.81	16	3.81	61.75	19.1	16.80	16.36	15.29

MOUSER STOCK NO.	Fig.	Phoenix Type	Pos.	Dimensions: mm			Price Each		
				A	B	C	1	10	50
<b>270° Wire-to-Plug Orientation</b>									
651-1826979	G	MCVW 1.5/2-ST-3.81	2	3.81	8.41	19.1	2.11	2.10	1.95
651-1826982	G	MCVW 1.5/3-ST-3.81	3	3.81	12.22	19.1	3.14	3.11	2.90
651-1826995	G	MCVW 1.5/4-ST-3.81	4	3.81	16.03	19.1	4.14	4.06	3.79
651-1827004	G	MCVW 1.5/5-ST-3.81	5	3.81	19.84	19.1	5.23	5.21	4.83
651-1827017	G	MCVW 1.5/6-ST-3.81	6	3.81	23.65	19.1	6.29	6.13	5.73
651-1827020	G	MCVW 1.5/7-ST-3.81	7	3.81	27.46	19.1	7.33	7.13	6.67
651-1827033	G	MCVW 1.5/8-ST-3.81	8	3.81	31.27	19.1	8.41	8.18	7.65
651-1827046	G	MCVW 1.5/9-ST-3.81	9	3.81	35.08	19.1	9.46	9.20	8.60
651-1827059	G	MCVW 1.5/10-ST-3.81	10	3.81	38.89	19.1	10.48	10.19	9.53
651-1827075	G	MCVW 1.5/12-ST-3.81	12	3.81	46.51	19.1	12.61	12.27	11.47
651-1827091	G	MCVW 1.5/14-ST-3.81	14	3.81	54.13	19.1	14.71	14.31	13.38
651-1827114	G	MCVW 1.5/16-ST-3.81	16	3.81	61.75	19.1	16.81	16.36	15.29

## Insulation Displacement Wire Termination