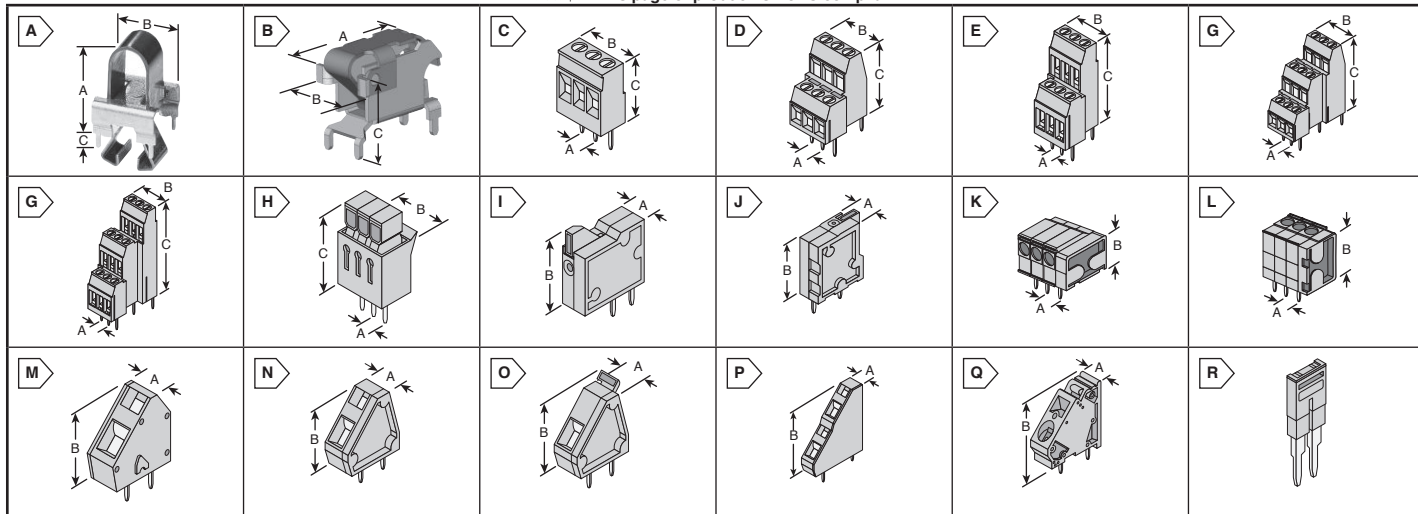


PHOENIX CONTACT Terminal Blocks



RoHS Compliant This page of product is RoHS compliant.



NON-INSULATED PCB SPRING CONNECTION WITH THT/THR TERMINATION



For quantities greater than listed, call for quote.

MOUSER STOCK NO.	Fig.	Phoenix Type	Pos.	Dimensions: mm			Price Each		
				A	B	C	1	10	50
Mfr. Mfr. Part No.									
651-1841830	A	PTSG/18X01-2THR21R24	1	15.8	12.2	2.1	1.22	1.17	1.12
651-1841843	A	PTSG/18X01-2THR29R24	1	15.8	12.2	2.9	1.22	1.17	1.12

NON-INSULATED, SINGLE TERMINAL WITH SPRING CAGE



For quantities greater than listed, call for quote.

MOUSER STOCK NO.	Fig.	Phoenix Type	Pos.	Dimensions: mm			Price Each		
				A	B	C	1	10	50
Mfr. Mfr. Part No.									
300V @ 10A, 30-12AWG, Green Color									
651-1704836	A	PTSPL-6/1-2x2 2.1	1	15.00	8.70	12.90	1.32	1.27	1.21
651-1704837	B	PTSPL0-6/1-2x2 2.9	1	15.00	8.70	13.70	1.32	1.27	1.21
651-1705081	B	PTSPL0-6/1-2x2 2.1	1	15.00	8.70	12.90	1.36	1.30	1.24
651-1705085	B	PTSPL-6/1-2x2 2.9	1	15.00	8.70	13.70	1.33	1.28	1.22

ONE PIECE DESIGN WITH SCREW CLAMP TERMINATION



Single Level, Press-Fit Mounting

For quantities greater than listed, call for quote.

MOUSER STOCK NO.	Fig.	Phoenix Type	Pos.	Dimensions: mm			Price Each		
				A	B	C	1	10	50
Mfr. Mfr. Part No.									
300V @ 10A, 30-12AWG, Green Color									
651-1730612	C	EMKDS 2.5/2-5.08	2	5.08	11.34	18.00	2.02	1.96	1.84
651-1730638	C	EMKDS 2.5/4-5.08	4	5.08	21.50	18.00	4.08	3.97	3.71
651-1730641	C	EMKDS 2.5/5-5.08	5	5.08	26.58	18.00	5.08	4.94	4.62
651-1730654	C	EMKDS 2.5/6-5.08	6	5.08	31.66	18.00	6.09	5.92	5.54

Multi-Level, Through-Hole Solder Mounting

For quantities greater than listed, call for quote.

MOUSER STOCK NO.	Fig.	Phoenix Type	Pos.	Dimensions: mm			Price Each		
				A	B	C	1	10	50
Mfr. Mfr. Part No.									
300V @ 10A, 30-16AWG, Green Color									
651-1708026	D	MKKDS 1/2-3.81	2	3.81	7.62	16.2	3.33	3.24	3.03
651-1708039	D	MKKDS 1/3-3.81	3	3.81	11.43	16.2	5.00	4.86	4.55
651-1708042	D	MKKDS 1/4-3.81	4	3.81	15.24	16.2	6.66	6.50	6.08
651-1708055	D	MKKDS 1/5-3.81	5	3.81	19.05	16.2	8.33	8.11	7.58
651-1708068	D	MKKDS 1/6-3.81	6	3.81	22.86	16.2	9.99	9.72	9.09
651-1708084	D	MKKDS 1/8-3.81	8	3.81	30.48	16.2	13.35	12.99	12.14
651-1708107	D	MKKDS 1/9-3.81	9	3.81	34.29	16.2	15.03	14.62	13.67
651-1708110	D	MKKDS 1/10-3.81	10	3.81	38.1	16.2	16.67	16.22	15.16
651-1708136	D	MKKDS 1/12-3.81	12	3.81	45.72	16.2	20.02	19.49	18.22
300V @ 10A, 30-14AWG, Green Color									
651-1725012	D	MKKDS 1.5/2	2	5	10	25.2	2.63	2.55	2.48
651-1725025	D	MKKDS 1.5/3	3	5	15	25.2	3.95	3.83	3.64
150V @ 15A and 300V @ 10A, 30-12AWG, Green Color									
651-1721032	E	MKKDS 3/3	3	5	15	31.4	6.30	6.13	5.73
300V @ 10A, 30-14AWG, Green Color									
651-1725038	D	MKKDS 1.5/2-5.08	2	5.08	10.16	25.2	2.63	2.55	2.48
651-1725041	D	MKKDS 1.5/3-5.08	3	5.08	15.24	25.2	3.95	3.83	3.64
150V @ 15A and 300V @ 10A, 30-12AWG, Green Color									
651-1721728	E	MKKDS 3/2-5.08	2	5.08	10.16	31.4	4.19	4.08	3.82
651-1721731	E	MKKDS 3/3-5.08	3	5.08	15.24	31.4	6.30	6.13	5.73
300V @ 10A, 30-14AWG, Green Color									
651-1724013	F	MK3DS 1.5/2-5.08	2	5.08	10.16	36.6	7.15	6.93	6.74
651-1724026	F	MK3DS 1.5/3-5.08	3	5.08	15.24	36.6	10.75	10.40	10.12
150V @ 15A and 300V @ 10A, 30-12AWG, Green Color									
651-1723014	G	MK3DS 3/2-5.08	2	5.08	10.16	44.8	5.97	5.73	5.43
651-1723027	G	MK3DS 3/3-5.08	3	5.08	15.24	44.8	8.96	8.72	8.15

ONE PIECE DESIGN WITH IDC TERMINATION



Single Level, Through-Hole Solder Mounting

For quantities greater than listed, call for quote.

MOUSER STOCK NO.	Fig.	Phoenix Type	Pos.	Dimensions: mm			Price Each		
				A	B	C	1	10	50
Mfr. Mfr. Part No.									
300V @ 5A, 28-22AWG, Green Color									
651-1706170	H	IDC 0.3/2-3.81	2	3.81	8.81	14.8	1.16	1.13	1.06
651-1706183	H	IDC 0.3/3-3.81	3	3.81	12.62	14.8	1.73	1.69	1.58

Single Level, Through-Hole Solder Mounting

For quantities greater than listed, call for quote.

MOUSER STOCK NO.	Fig.	Phoenix Type	Pos.	Dimensions: mm			Price Each		
				A	B	C	1	10	50
Mfr. Mfr. Part No.									
300V @ 5A, 28-22AWG, Green Color (Cont.)									
651-1706196	H	IDC 0.3/4-3.81	4	3.81	16.43	14.8	2.29	2.23	2.09
651-1706206	H	IDC 0.3/5-3.81	5	3.81	20.24	14.8	2.87	2.79	2.61
651-1706219	H	IDC 0.3/6-3.81	6	3.81	24.05	14.8	3.45	3.36	3.14
651-1706222	H	IDC 0.3/7-3.81	7	3.81	27.86	14.8	4.01	3.90	3.65
651-1706235	H	IDC 0.3/8-3.81	8	3.81	31.67	14.8	4.58	4.46	4.17
651-1706248	H	IDC 0.3/9-3.81	9	3.81	35.48	14.8	5.18	5.04	4.71
651-1706251	H	IDC 0.3/10-3.81	10	3.81	39.29	14.8	5.75	5.59	5.23
651-1706277	H	IDC 0.3/12-3.81	12	3.81	46.91	14.8	6.91	6.73	6.29

ONE PIECE DESIGN WITH SPRING FORCE TERMINATION



Single Level, Through-Hole Solder Mounting

* Sold only in strips of 10 terminals. These modular strips can be broken apart or extended to any length needed. An end terminal block is required to terminate each row of terminals.

MOUSER STOCK NO.	Fig.	Phoenix Type	Pos.	Dimensions: mm			Price Each		
				A	B	C	1	10	50
Mfr. Mfr. Part No.									
150V @ 6A, 26-20AWG, Green Color									
* 651-1791826	I	FFKDS/H-2.54	1	2.54	12.6	-	.56	.56	
End Terminal Block for FFKDS/H-2.54									
651-1791868	I	FFKDSA1/H-5.08	1	5.08	12.6	1.60	1.53	1.47	
Modular 2.54mm PCB Spring Force Fixed Terminal Block - 180° Wire-to-Pin Orientation									
* 651-1791813	J	FFKDS/V-2.54	1	2.54	13.6	-	.90	.86	
300V @ 6A, 26-16AWG, Green Color									
651-1789650	K	FFKDS/H-3.81	1	3.81	12.7	1.14	1.11	1.08	
651-1789634	-	FFKDSA1/H-6.35	Required End Cover			1.46	1.42	1.33	
651-1789647	L	FFKDS/V-3.81	1	3.81	13.6	1.14	1.11	1.08	
651-1789621	-	FFKDSA1/V-6.35	Required End Cover			1.46	1.42	1.33	
300V @ 10A, 26-12AWG, Green Color									
* 651-1889259	M	ZFKDS 1.5C-5.0	1	5	12.75	-	.396	.37	
End Terminal Block for ZFKDS 1.5C-5.0									
651-1889262	M	ZFKDSA 1.5C-6.0	1	6	12.75	.55	.546	.51	
Modular 5.08mm PCB Spring Force Fixed - Single Level without Lever - 135° Wire-to-Pin									
* 651-1706701	N	ZFKDS 1.5-5.08	1	5.08	14.2	-	.425	.407	
End Terminal Block for ZFKDS 1.5-5.08									
651-1706727	N	ZFKDSA 1.5-7.62	1	7.62	14.2	.61	.586	.561	
Modular 5.08mm PCB Spring Force Fixed - Single Level with Lever - 135° Wire-to-Pin									
* 651-1706714	O	ZFKDS 1.5-W-5.08	1	5.08	16	-	.528	.506	
End Terminal Block for ZFKDS 1.5-W-5.08									
651-1706730	O	ZFKDSA 1.5-W-7.62	1	7.62	16	.69	.66	.64	
300V @ 10A, 22-16AWG, Green Color									
651-1790335	K	FFKDS/H1-5.08	1	5.08	12.7	1.28	1.22	1.17	
651-1790513	-	FFKDSA1/H1-7.62	Required End Cover			1.42	1.31	1.21	
300V @ 10A, 26-12AWG, Green Color									
* 651-1704402	P	ZFKKDS 1.5-5.08	1	5.08	25.5	-	1.10	1.02	
End Terminal Block for ZFKKDS 1.5-5.08									
651-1704567	P	ZFKKDSA 1.5-6.08	1	6.08	25.5	1.50	1.43	1.37	
600V @ 30A, 24-10AWG, Green Color									
651-1907539	Q	ZFKDS 4-10	1	10	23	1.29	1.26	1.18	
End Terminal Block for ZFKDS 4-10									
651-1907542	Q	ZFKDSA 4-9	1	10	23	1.47	1.43	1.34	
Jumping Bridge for ZFKDS 4-10, Fully Insulated									
651-1928398	R	FBSK 2-10	2	-	-	1.07	1.04	.98	
651-1928411	R	FBSK 4-10	4	-	-	2.93	2.87	2.70	