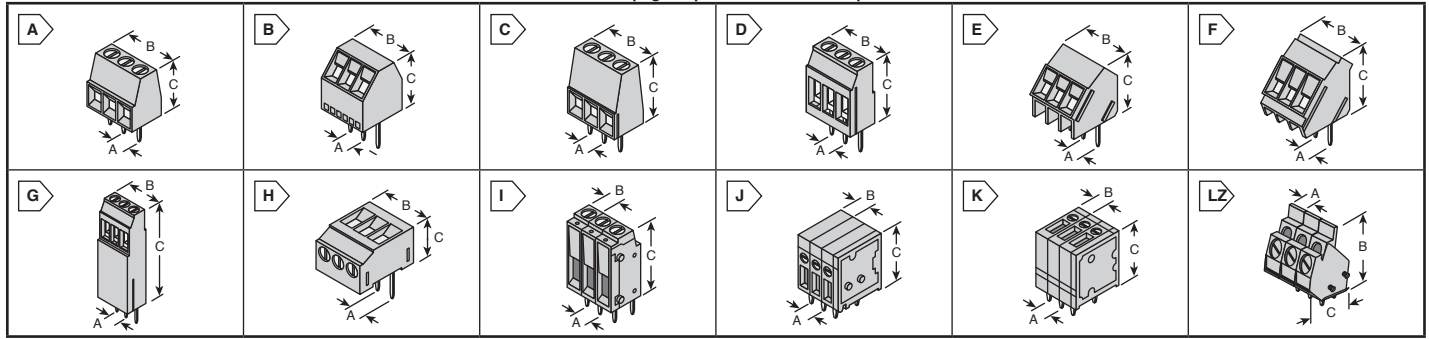


PHOENIX CONTACT Terminal Blocks



RoHS Compliant This page of product is RoHS compliant.



ONE PIECE DESIGN W/ SCREW CLAMP TERMINATION

• RoHS Compliant per Phoenix documentation

Single Level, Through-Hole Solder Mounting

MOUSER STOCK NO.		Fig.	Phoenix Type	Pos.	Dimensions: mm			Price Each			
Mfr.	Mfr. Part No.				A	B	C	1	10	50	
2.54mm PCB Terminal Blocks - 90° Wire-to-Pin Orientation, UL: 125V @ 6A, 30-20AWG, Green Color											
651-1725856	A	MPT 0.5/2-2.54	2	2.54	5.54	8.5	1.45	1.38	1.33		
651-1725669	A	MPT 0.5/3-2.54	3	2.54	8.08	8.5	2.19	2.10	2.01		
651-1725672	A	MPT 0.5/4-2.54	4	2.54	10.62	8.5	2.92	2.79	2.68		
651-1725685	A	MPT 0.5/5-2.54	5	2.54	13.16	8.5	3.63	3.47	3.33		
651-1725698	A	MPT 0.5/6-2.54	6	2.54	15.70	8.5	4.14	4.01	3.84		
651-1725708	A	MPT 0.5/7-2.54	7	2.54	18.24	8.5	4.80	4.66	4.43		
651-1725711	A	MPT 0.5/8-2.54	8	2.54	20.78	8.5	5.49	5.32	5.06		
651-1725724	A	MPT 0.5/9-2.54	9	2.54	23.32	8.5	6.22	6.02	5.73		
651-1725737	A	MPT 0.5/10-2.54	10	2.54	25.86	8.5	6.89	6.67	6.36		
651-1725740	A	MPT 0.5/11-2.54	11	2.54	28.40	8.5	7.35	7.15	6.69		
651-1725753	A	MPT 0.5/12-2.54	12	2.54	30.94	8.5	8.01	7.80	7.29		
3.5mm PCB Terminal Blocks - 90° Wire-to-Pin Orientation, UL: 300V @ 10A, 30-16AWG, Green Color											
651-1751248	A	MKDS 1/2-3.5	2	3.5	7.5	8.5	1.14	1.09	1.04		
651-1751251	A	MKDS 1/3-3.5	3	3.5	11	8.5	1.72	1.65	1.58		
651-1751264	A	MKDS 1/4-3.5	4	3.5	14.5	8.5	2.28	2.18	2.09		
651-1751277	A	MKDS 1/5-3.5	5	3.5	18	8.5	2.89	2.76	2.65		
651-1751280	A	MKDS 1/6-3.5	6	3.5	21.5	8.5	3.25	3.16	3.00		
651-1751293	A	MKDS 1/7-3.5	7	3.5	25	8.5	3.84	3.71	3.61		
651-1751303	A	MKDS 1/8-3.5	8	3.5	28.5	8.5	4.36	4.22	4.01		
651-1751316	A	MKDS 1/9-3.5	9	3.5	32	8.5	4.89	4.74	4.61		
651-1751329	A	MKDS 1/10-3.5	10	3.5	35.5	8.5	5.45	5.28	5.02		
651-1751332	A	MKDS 1/11-3.5	11	3.5	39	8.5	5.81	5.66	5.29		
651-1751345	A	MKDS 1/12-3.5	12	3.5	42.5	8.5	6.32	6.15	5.75		
3.5mm PCB Terminal Blocks - 55° Wire-to-Pin Orientation, UL: 300V @ 10A, 30-16AWG, Green Color											
651-1751099	B	SMKDS 1/2-3.5	2	3.5	7.5	9.5	1.30	1.25	1.19		
651-1751109	B	SMKDS 1/3-3.5	3	3.5	11	9.5	1.99	1.90	1.82		
651-1751112	B	SMKDS 1/4-3.5	4	3.5	14.5	9.5	2.64	2.52	2.42		
651-1751154	B	SMKDS 1/8-3.5	8	3.5	28.5	9.5	4.95	4.79	4.66		
3.81mm PCB Terminal Blocks - 90° Wire-to-Pin Orientation, UL: 300V @ 10A, 30-16AWG, Green Color											
651-1727010	A	MKDS 1/2-3.81	2	3.81	7.61	8.5	1.14	1.09	1.04		
651-1727023	A	MKDS 1/3-3.81	3	3.81	11.42	8.5	1.70	1.63	1.57		
651-1727036	A	MKDS 1/4-3.81	4	3.81	15.23	8.5	2.28	2.18	2.09		
651-1727049	A	MKDS 1/5-3.81	5	3.81	19.04	8.5	2.85	2.74	2.62		
651-1727052	A	MKDS 1/6-3.81	6	3.81	22.85	8.5	3.25	3.16	3.00		
651-1727065	A	MKDS 1/7-3.81	7	3.81	26.66	8.5	3.80	3.69	3.51		
651-1727078	A	MKDS 1/8-3.81	8	3.81	30.47	8.5	4.36	4.22	4.01		
651-1727081	A	MKDS 1/9-3.81	9	3.81	34.28	8.5	4.88	4.73	4.60		
651-1727094	A	MKDS 1/10-3.81	10	3.81	38.09	8.5	5.43	5.25	5.00		
651-1727117	A	MKDS 1/12-3.81	12	3.81	45.71	8.5	6.31	6.14	5.74		
3.81mm PCB Terminal Blocks - 55° Wire-to-Pin Orientation, UL: 300V @ 10A, 30-16AWG, Green Color											
651-1728284	B	SMKDS 1/2-3.81	2	3.81	7.61	9.5	1.30	1.25	1.19		
651-1728297	B	SMKDS 1/3-3.81	3	3.81	11.42	9.5	1.96	1.88	1.80		
651-1728307	B	SMKDS 1/4-3.81	4	3.81	15.23	9.5	2.64	2.52	2.42		
651-1728323	B	SMKDS 1/6-3.81	6	3.81	22.85	9.5	3.71	3.59	3.49		
651-1728349	B	SMKDS 1/8-3.81	8	3.81	30.47	9.5	4.94	4.78	4.65		
651-1728352	B	SMKDS 1/9-3.81	9	3.81	34.28	9.5	5.58	5.40	5.25		
651-1728365	B	SMKDS 1/10-3.81	10	3.81	38.09	9.5	6.21	6.01	5.85		
651-1728378	B	SMKDS 1/11-3.81	11	3.81	41.90	9.5	6.61	6.43	6.01		
651-1728381	B	SMKDS 1/12-3.81	12	3.81	45.71	9.5	7.22	7.03	6.57		
3.81mm PCB Single Terminal Block - Vertical Wire to Pin Orientation, Front Connection, UL: 300V @ 10A, 28-14AWG, Green Color											
651-1707755	-	D-FRONT 1.5-V						Required End Cover	.43	.417	.39
5mm PCB Reduced Height Terminal Blocks - 90° Wire-to-Pin Orientation, UL: 300V @ 10A, 30-14AWG, Green Color											
651-1729018	C	MKDSN 1.5/2	2	5	10	10	.97	.93	.891		
651-1729021	C	MKDSN 1.5/3	3	5	15	10	1.45	1.38	1.33		
651-1729034	C	MKDSN 1.5/4	4	5	20	10	1.95	1.87	1.79		
651-1729047	C	MKDSN 1.5/5	5	5	25	10	2.43	2.33	2.23		
651-1729050	C	MKDSN 1.5/6	6	5	30	10	2.75	2.68	2.54		
651-1729063	C	MKDSN 1.5/7	7	5	35	10	3.21	3.11	2.96		
651-1729076	C	MKDSN 1.5/8	8	5	40	10	3.67	3.56	3.39		
651-1729089	C	MKDSN 1.5/9	9	5	45	10	4.14	4.01	3.90		

Single Level, Through-Hole Solder Mounting (Cont.)

For quantities greater than listed, call for quote.

MOUSER STOCK NO.		Fig.	Phoenix Type	Pos.	Dimensions: mm			Price Each		
Mfr.	Mfr. Part No.				A	B	C	1	10	50
5mm PCB Reduced Height Terminal Blocks - 90° Wire-to-Pin Orientation, UL: 300V @ 10A, 30-14AWG, Green Color (Cont.)										
651-1729092	C	MKDSN 1.5/10	10	5	50	10	4.62	4.47	4.26	
651-1729115	C	MKDSN 1.5/12	12	5	60	10	5.35	5.21	4.87	
5mm PCB Reduced Height Terminal Blocks - 55° Wire-to-Pin Orientation, UL: 300V @ 10A, 30-14AWG, Green Color										
651-1869062	B	SMKDSN 1.5/2	2	5	11	11	1.16	1.11	1.06	
651-1869075	B	SMKDSN 1.5/3	3	5	16	11	1.71	1.64	1.57	
651-1869088	B	SMKDSN 1.5/4	4	5	21	11	2.27	2.17	2.07	
651-1869091	B	SMKDSN 1.5/5	5	5	26	11	2.70	2.62	2.49	
651-1869101	B	SMKDSN 1.5/6	6	5	31	11	3.25	3.16	3.00	
651-1869114	B	SMKDSN 1.5/7	7	5	36	11	3.80	3.68	3.58	
651-1869127	B	SMKDSN 1.5/8	8	5	41	11	4.34	4.20	4.08	
651-1869143	B	SMKDSN 1.5/10	10	5	46	11	5.43	5.25	5.11	
5mm PCB Terminal Blocks - 90° Wire-to-Pin Orientation, UL: 300V @ 10A, 30-14AWG, Green Color										
651-1715022	C	MKDS 1.5/2	2	5	10	13.8	1.17	1.12	1.07	
651-1715035	C	MKDS 1.5/3	3	5	15	13.8	1.72	1.65	1.59	
651-1715048	C	MKDS 1.5/4	4	5	20	13.8	2.30	2.20	2.11	
651-1715080	C	MKDS 1.5/8	8	5	40	13.8	4.26	4.15	3.88	
651-1715129	C	MKDS 1.5/12	12	5	60	13.8	6.40	6.22	5.82	
5mm PCB Reduced Height Terminal Blocks - 90° Wire-to-Pin Orientation, UL: 300V @ 10A, 30-12AWG, Green Color										
651-1890963	C	MKDSN 2.5/2	2	5	10	15	1.00	.965	.924	
651-1890976	C	MKDSN 2.5/3	3	5	15	15	1.57	1.50	1.44	
651-1890989	C	MKDSN 2.5/4	4	5	20	15	2.05	1.96	1.88	
5mm PCB Terminal Blocks - 90° Wire-to-Pin Orientation, UL: 300V @ 10A, 30-12AWG, Green Color										
651-1711026	D	MKDS 3/2	2	5	10	18	1.71	1.68	1.58	
651-1711039	D	MKDS 3/3	3	5	15	18	2.61	2.53	2.46	
651-1711042	D	MKDS 3/4	4	5	20	18	3.37	3.28	3.07	
651-1711084	D	MKDS 3/8	8	5	40	18	6.71	6.52	6.10	
651-1711123	D	MKDS 3/12	12	5	60	18	10.06	9.79	9.15	
5mm PCB Terminal Blocks - 35° Wire-to-Pin Orientation with Test Connection, UL: 300V @ 10A, 30-14AWG, Green Color										
651-1733415	E	SMKDSP 1.5/2	2	5	10	15.3	1.23	1.18	1.13	
651-1733428	E	SMKDSP 1.5/3	3	5	15	15.3	1.84	1.76	1.69	
651-1733431	E	SMKDSP 1.5/4	4	5	20	15.3	2.43	2.33	2.23	
651-1733444	E	SMKDSP 1.5/5	5	5	25	15.3	3.03	2.90	2.78	
651-1733457	E	SMKDSP 1.5/6	6	5	30	15.3	3.67	3.28	3.07	
651-1733473	E	SMKDSP 1.5/8	8	5	40	15.3	4.51	4.38	4.10	
5mm PCB Terminal Blocks - 35° Wire-to-Pin Orientation, UL: 300V @ 10A, 30-14AWG, Green Color										
651-1713024	F	SMKDS 3/2	2	5	10	18	2.01	1.94	1.89	
651-1713037	F	SMKDS 3/3	3	5	15	18	3.01	2.91	2.83	
5mm PCB Terminal Blocks - 90° Wire-to-Pin Orientation, Tall Design, UL: 300V @ 15A, 30-12AWG, Green Color										
651-1721045	G	IMKDSH 3/2	2	5	10	31.5	2.94	2.86	2.68	
651-1721346	G	IMKDSH 3/3	3	5	15	31.5	4.43	4.31	4.03	
5mm PCB Terminal Blocks - Vertical Wire-to-Pin Orientation, UL: 300V @ 10A, 30-14AWG, Green Color										
651-1717091	H	MKDSFW 1.5/2	2	5	10	11.2	2.68	2.61	2.44	
651-1717088	H	MKDSFW 1.5/3	3	5	15	11.2	4.01	3.90	3.65	
5mm PCB Single Terminal Blocks - 90° Wire-to-Pin Orientation, UL: 300V @ 15A, 30-12AWG, Green Color										
651-1705016	I	KDS 2.5			1	5	18	2.04	1.99	1.86
5mm PCB Single Terminal Blocks - 90° Wire to Pin Orientation, Front Connection, UL: 300V @ 10A, 30-12AWG, Green Color										
651-1700008	J	FRONT 2.5-H/SA 5	1	5	5	18.5	1.94	1.89	1.77	
651-1700040</										