

CINCH Jones Plugs and Sockets

RoHS Compliant This page of product is RoHS compliant.



JONES PLUGS/SOCKETS SERIES 300

Features:

- Solder lug terminals with .093" x .062" wiring holes
- Two-contact "Jones" connector is round, all others are rectangular
- For use in cable-to-panel and cable-to-cable applications
- Designed for light and medium duty
- Polarized to prevent wrong-way insertion

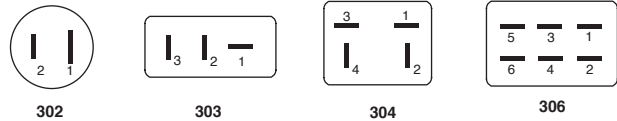
Specifications:

- Insulation material: molded monoblock, general purpose phenolic, black UL94V-1
- Contact material: plug - brass, socket - phosphor bronze
- Contact plating: mate tin
- RoHS compliant per Cinch documentation
- Operating temperature: up to +105°C
- Hood material: UL94V-0
- Withstanding voltage: 730VACrms
- Current rating: 10A
- Contact resistance: 16mΩ max.

*Two-contact "Jones" connector is round, dimension "A" is the diameter.



Polarizing Patterns - 300 Series



Plug with Hood and 180° Cable Clamp

For quantities greater than listed, call for quote.

MOUSER STOCK NO.	Cinch Part No.	Fig.	No. of Cont.	Dimensions: in.					Price Each			
				A	B	C	D	E	1	25	50	100
* 538-P-302H-CCT	P-302H-CCT	A	2	ø.691	-	.953	.375	.359	3.35	3.12	2.98	2.61
538-P-303H-CCT	P-303H-CCT	A	3	1.034	.472	.953	.313	.359	3.97	3.52	3.48	3.43
538-P-304H-CCT	P-304H-CCT	A	4	.786	.724	.953	.375	.469	4.28	3.98	3.80	3.33
538-P-306H-CCT	P-306H-CCT	A	6	1.036	.724	1.078	.438	.484	4.37	4.07	3.89	3.41

Socket with Hood and 180° Cable Clamp

RoHS compliant per Cinch documentation

For quantities greater than listed, call for quote.

MOUSER STOCK NO.	Cinch Part No.	Fig.	No. of Cont.	Dimensions: in.					Price Each			
				A	B	C	D	E	1	25	50	100
* 538-S-302H-CCT	S-302H-CCT	B	2	ø.691	-	.953	.375	.359	3.53	3.29	3.14	2.75
538-S-303H-CCT	S-303H-CCT	B	3	1.034	.472	.953	.313	.359	4.09	3.81	3.64	3.19
538-S-304H-CCT	S-304H-CCT	B	4	.786	.724	.953	.375	.469	4.08	3.81	3.63	3.45
538-S-306H-CCT	S-306H-CCT	B	6	1.036	.724	1.078	.438	.484	4.74	4.42	4.22	3.70

Plug with Hood, 180° Cable Clamp and Lock

RoHS compliant per Cinch documentation

For quantities greater than listed, call for quote.

MOUSER STOCK NO.	Cinch Part No.	Fig.	No. of Cont.	Dimensions: in.					Price Each			
				A	B	C	D	E	1	25	50	100
* 538-P-302H-CCTL	P-302H-CCTL	C	2	ø.691	-	.953	.375	.359	6.04	5.63	5.38	4.71
538-P-303H-CCTL	P-303H-CCTL	C	3	1.034	.472	.953	.313	.359	6.73	6.16	5.87	5.27
538-P-304H-CCTL	P-304H-CCTL	C	4	.786	.724	.953	.375	.469	6.51	5.96	5.68	5.10

Socket with Hood, 180° Cable Clamp and Keeper

RoHS compliant per Cinch documentation

For quantities greater than listed, call for quote.

MOUSER STOCK NO.	Cinch Part No.	Fig.	No. of Cont.	Dimensions: in.					Price Each			
				A	B	C	D	E	1	25	50	100
538-S-304H-CCTK	S-304H-CCTK	D	4	.786	.724	.953	.375	.469	6.97	6.38	6.08	5.46

Plug with Angle Bracket

RoHS compliant per Cinch documentation

For quantities greater than listed, call for quote.

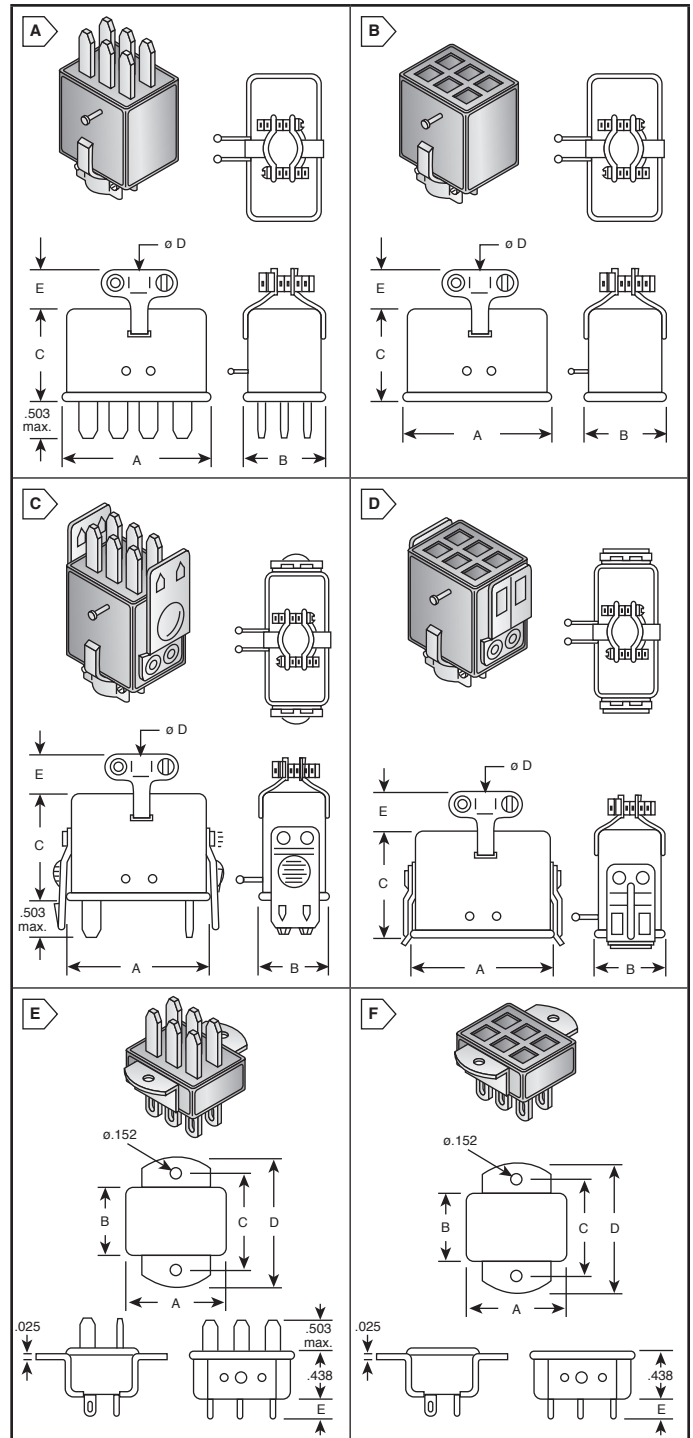
MOUSER STOCK NO.	Cinch Part No.	Fig.	No. of Cont.	Dimensions: in.					Price Each			
				A	B	C	D	E	1	25	50	100
* 538-P-302H-AB	P-302H-AB	E	2	ø.656	-	.969	1.219	.313	1.87	1.75	1.68	1.46
538-P-303H-AB	P-303H-AB	E	3	1.000	.438	.750	1.062	.313	1.84	1.72	1.66	1.50
538-P-304H-AB	P-304H-AB	E	4	.750	.688	1.000	1.312	.313	2.13	1.99	1.90	1.80
538-P-306H-AB	P-306H-AB	E	6	1.000	.688	1.000	1.312	.313	2.71	2.53	2.41	2.12

Socket with Angle Bracket

RoHS compliant per Cinch documentation

For quantities greater than listed, call for quote.

MOUSER STOCK NO.	Cinch Part No.	Fig.	No. of Cont.	Dimensions: in.					Price Each			
				A	B	C	D	E	1	25	50	100
* 538-S-302H-AB	S-302H-AB	F	2	ø.656	-	.969	1.219	.297	1.86	1.73	1.65	1.45
538-S-303H-AB	S-303H-AB	F	3	1.000	.438	.750	1.062	.297	2.32	2.17	2.07	1.81
538-S-304H-AB	S-304H-AB	F	4	.750	.688	1.000	1.312	.297	2.42	2.25	2.15	1.88
538-S-306H-AB	S-306H-AB	F	6	1.000	.688	1.000	1.312	.297	3.01	2.80	2.67	2.54



Power Connectors

Cinch