

Power Connectors

RoHS Compliant This page of product is RoHS compliant.

Amphenol® 146-D SERIES POWER CONNECTORS

IP65 rated when properly mated and clamped.



Hoods

MOUSER STOCK NO.	Amphenol Part No.	Fig.	No. of Pos.	Cable Opening	Price Each
Top Entry Hoods Without PG Gland Bushing					
523-C14610G0032004	C146 10G003 200 4	A	7	PG11	3.85
523-C14610G0166061	C146 10G016 606 1	B	40	PG21	11.20
523-C14610G0166004	C146 10G016 600 4	B	25	PG16	14.00
Side Entry Hoods Without PG Gland Bushing					
523-C14610G0035004	C146 10G003 500 4	C	7	PG11	3.23
523-C14610G0105004	C146 10G010 500 4	D	15	PG13.5	10.77
523-C14610G0165004	C146 10G016 500 4	D	25	PG21	12.85
523-C14610G0245061	C146 10G024 506 1	D	24	PG16	12.83

Stamped Contacts

*High Current

MOUSER STOCK NO.	Amphenol Part No.	Wire Gauge	Price Each
Pin Contacts			
523-VN0101600031	VN01 016 0003 1	26-20 AWG	.43
523-VN0101600021	VN01 016 0002 1	20-16 AWG	.42
523-VN0101600051	VN01 016 0005 1	16-14 AWG	.46
* 523-VN0101600151	VN01 016 0015 1	20-16 AWG	.49
* 523-VN0101600161	VN01 016 0016 1	16-14 AWG	.84
Socket Contacts			
523-VN0201600031	VN02 016 0003 1	26-20 AWG	.41
523-VN0201600021	VN02 016 0002 1	20-16 AWG	.53
523-VN0201600051	VN02 016 0005 1	16-14 AWG	.46
* 523-VN0201600161	VN02 016 0016 1	16-14 AWG	.55
			100 Pc Bag
* 523-VN0201600151	VN02 016 0015 1	20-16 AWG	54.40

Bulk Head Housings - Accepts Male or Female Inserts

MOUSER STOCK NO.	Amphenol Part No.	Fig.	No. of Pos.	Price Each
523-C14610F0030004	C146 10F003 000 4	E	7	2.98
523-C14610F0150002	C146 10F015 000 2	F	15	16.50
523-C14610F0160011	C146 10F016 001 1	F	40	21.65
523-C14610F0250002	C146 10F025 000 2	F	25	9.56
523-C14610F0240011	C146 10F024 001 1	F	64	21.80
523-C14610F0240021	C146 10F024 002 1	G	64	18.73

PG Gland Bushings

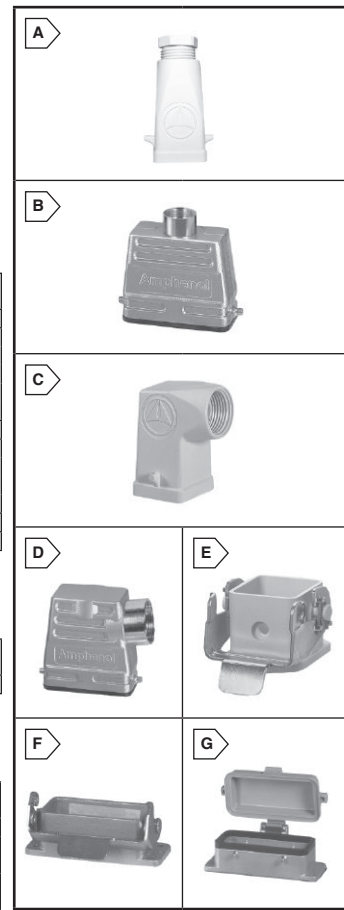
MOUSER STOCK NO.	Amphenol Part No.	PG Size	Price Each
523-VN162100014X	VN16 210 0014 X	21.0	21.54

Inserts

MOUSER STOCK NO.	Amphenol Part No.	No. of Pos.	Price Each
Male Inserts for Stamped Pin Contacts			
523-C14610A0250002	C146 10A025 000 2	25 + G	8.21
523-C14610A0640002	C146 10A064 000 2	64 + G	14.19
Female Inserts for Stamped Socket Contacts			
523-C14610B0250002	C146 10B025 000 2	25 + G	8.21
523-C14610B0400002	C146 10B040 000 2	40 + G	12.87
523-C14610B0640002	C146 10B064 000 2	64 + G	18.77

Tooling

MOUSER STOCK NO.	Amphenol Part No.	Description	Price Each
523-TA0000	TA 0000	Hand Crimp	253.92
523-TA000-163	TA 0000 163	Die 20/16	309.34
523-TA0000141	TA 0000 141	Die 16/14	236.61
523-TA00021460001	TA 0002 146 0001	Locator 20/16	36.87
523-FG03001461	FG 0300 146 1	Removal tool	91.07



Power Connectors

Amphenol® RADSOK® HIGH AMPERAGE CONNECTORS

PGY™

The RADSOK® PGY™ is an orthogonal card edge connector available in 3.6mm and 5.7mm contact sizes. The 5.7mm is Amphenol's highest current board level product rated to 120 amperes. The PGY connects to the board through a solder reflow process. The busbar pin mates horizontally with the RADSOK slightly above the board.

Features:

- Compact footprint
- No threaded fasteners
- Faster through-put
- Legs dissipate high power evenly
- No special crimp tools needed
- 5.7mm - 120 Amps; 3.6mm - 70 Amps

For quantities greater than listed, call for quote.

MOUSER STOCK NO.	Amphenol Part No.	Fig.	Amp	Description	Price Each		
					1	5	10
523-C10-639800-000	C10-639800-000	A	120	5.7mm PCB mount, horizontal, solder, silver plated	6.86	6.86	6.86
523-C10-639801-000	C10-639801-000	A	70	3.6mm PCB mount, horizontal, solder, silver plated	5.68	5.68	5.68

AMPHE-PD™

High-powered applications are constantly in need of a solution that is higher in power, smaller in size, and low in cost. The Amphe-PD™ uses RADSOK® technology to become the ideal solution. The low insertion force, locking, two-pole connector is UL listed at 69A and CSA listed at 55A. It is also TUV Finger Proof with a V0 fire rating. By combining parallel circuits into one, heat generation is reduced, space is saved, and very importantly, reliability is increased. The flexibility of clip wires, busbars, and circuit boards allows the Amphe-PD™ to be used in a wide variety of high power applications.

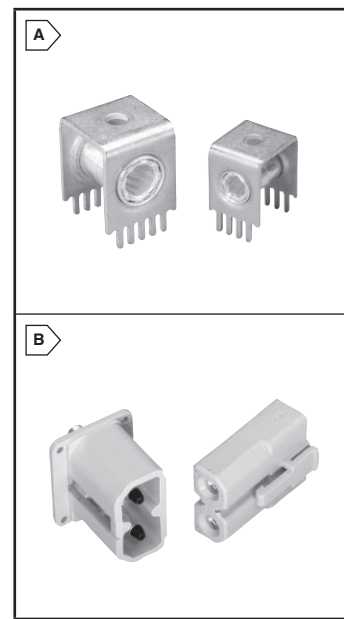
Features:

- Low cost, 100% molded housings
- Integrated latching mechanism
- Easy, tool-less assembly
- Low Insertion Force
- TPA device on plug to insure socket locking
- High reliability
- High cycle durability
- High amperage
- Tactile and audible locking
- Proven metal clip contact retention on receptacles



For quantities greater than listed, call for quote.

MOUSER STOCK NO.	Amphenol Part No.	Fig.	Description	Price Each		
				1	5	10
Receptacles						
654-10-638976-000	C10-638976-000	B	Crimp pin, 6 AWG with screw bosses	14.53	13.47	12.21
654-10-638977-000	C10-638977-000	B	PCB tail with screw bosses	8.99	8.99	8.99
Plug						
654-10-638974-000	C10-638974-000	B	3.6mm RADSOK® plug, 6 AWG	16.73	15.91	15.00



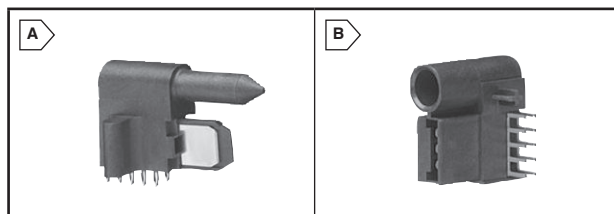
molex EXTREME ORTHOPOWER™ CONNECTOR SYSTEM

we compare a world of innovation

For quantities greater than listed, call for quote.

MOUSER STOCK NO.	Molex Part No.	Fig.	Mounting Style	Plating	Price Each			
					1	10	100	500
Plug								
538-172045-1001	172045-1001	A	Through-Hole Pin	Gold	8.37	7.95	7.32	6.73
Receptacle								
538-172047-1001	172047-1001	B	3.60mm Solder Tail	Gold	10.07	9.27	8.52	7.84

© Copyright 2015 Mouser Electronics



© Copyright 2015 Mouser Electronics