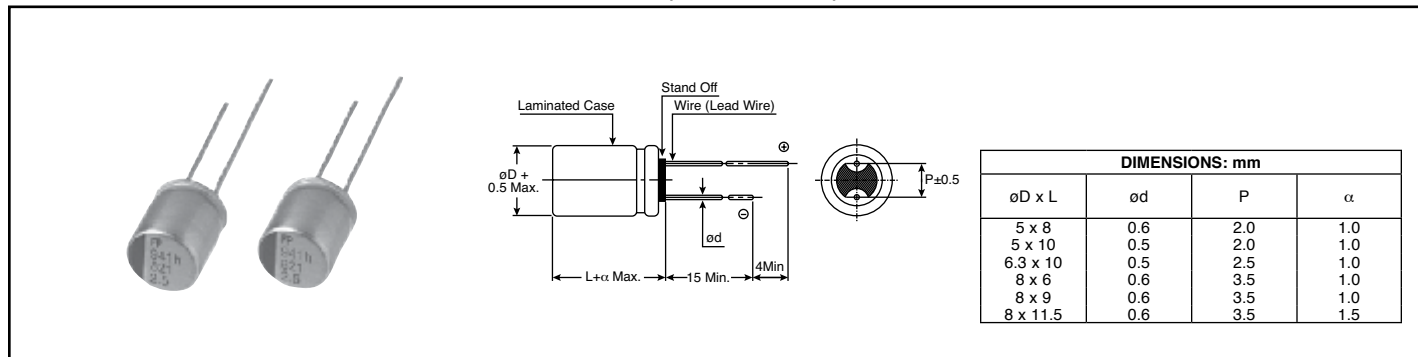


NICHICON Polymer Aluminum Electrolytic Capacitors



RoHS Compliant This product is RoHS compliant.



F8 SERIES - RADIAL LEAD TYPE, ULTRA LOW ESR, LOW ESL AND ULTRA LOW CAPACITANCE

- Features:**
- Ultra Low ESR at high frequency range
 - High ripple current capability
 - Load life of 2000 hours at 105°C
 - Lead free reflow soldering condition at 260°C
- Specifications:**
- Temperature Range: -55 to +105°C
 - Tolerance: ±20% at 120Hz, 20°C

These items are also available in bulk. Please contact your customer service representative for assistance.

For quantities of 1000 and up, call for quote.

MOUSER STOCK NO.	Nichicon Part Number	Value (μF)	Case Size D x L (mm) (Max)	ESR (at 100kHz 20°C)	Price Each			
					1	10	100	500
2.5V								
647-RF80E101MDN1PX	RF80E101MDN1PX	100	5 x 8	7	.70	.49	.329	.244
647-RF80E331MDN1PX	RF80E331MDN1PX	330	5 x 8	7	.75	.52	.348	.258
647-RF80E471MDN1PX	RF80E471MDN1PX	470	5 x 8	7	.75	.53	.351	.26
647-RF80E561MDN1PX	RF80E561MDN1PX	560	5 x 8	7	.79	.55	.367	.272
4.5V								
647-RF80G331MDN1PX	RF80G331MDN1PX	330	5 x 8	8	.75	.52	.348	.258
6.3V								
647-RF80J271MDN1PX	RF80J271MDN1PX	270	5 x 8	11	.75	.53	.351	.26

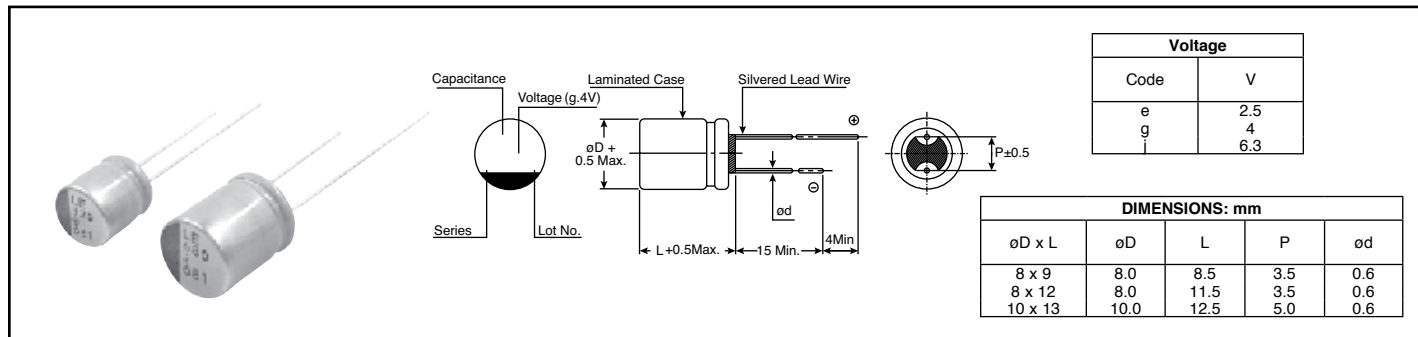
NE SERIES - RADIAL LEAD TYPE, ULTRA LOW ESR AND ULTRA LOW CAPACITANCE

- Features:**
- Ultra Low ESR at high frequency range
 - High ripple current capability
 - Load life of 2000 hours at 105°C
 - Lead free reflow soldering condition at 260°C
- Specifications:**
- Temperature Range: -55 to +105°C
 - Tolerance: ±20% at 120Hz, 20°C

These items are also available in bulk. Please contact your customer service representative for assistance.

For quantities of 1000 and up, call for quote.

MOUSER STOCK NO.	Nichicon Part Number	Value (μF)	Case Size D x L (mm) (Max)	ESR (at 100kHz 20°C)	Price Each			
					1	10	100	500
2.5V								
647-RNE0E681MDN1PX	RNE0E681MDN1PX	680	8 x 6	8	.55	.41	.282	.223
6.3V								
647-RNE0J122MDN1PX	RNE0J122MDN1PX	1200	8 x 9	10	.82	.61	.419	.332
10V								
647-RNE1A221MDS1PX	RNE1A221MDS1PX	220	6.3 x 10	30	.51	.37	.258	.204
16V								
647-RNE1C101MDS1PX	RNE1C101MDS1PX	100	5 x 10	35	.46	.34	.237	.187
647-RNE1C471MDN1PX	RNE1C471MDN1PX	470	8 x 11.5	12	.88	.65	.448	.354



LE SERIES - ULTRA LOW ESR

- Features:**
- Ultra Low ESR
 - High ripple current
 - Load life of 2000 hours at 105°C
 - Lead free reflow soldering condition at 260°C

- Specifications:**
- Temperature Range: -55 to +105°C
 - Tolerance: ±20% at 120Hz, 20°C

For quantities of 1000 and up, call for quote.

MOUSER STOCK NO.	Nichicon Part Number	Value (μF)	Case Size D x L (mm) (Max)	ESR (at 100kHz 20°C)	Price Each			
					1	10	100	500
2.5V								
647-PLE0E561MCO1	PLE0E561MCO1	560	8 x 9	5	1.39	1.15	.841	.723
647-PLE0E821MCO6	PLE0E821MCO6	820	8 x 9	5	1.46	1.20	.888	.762
647-PLE0E821MDO1	PLE0E821MDO1	820	8 x 12	5	1.38	1.14	.836	.717
647-PLE0E102MDO1	PLE0E102MDO1	1000	10 x 13	5	1.54	1.26	.96	.879
647-PLE0E152MDO1	PLE0E152MDO1	1500	10 x 13	5	1.83	1.51	1.02	.912
4.0V								
647-PLE0G561MCO1	PLE0G561MCO1	560	8 x 9	5	1.70	1.39	1.02	.87
647-PLE0G681MDO1	PLE0G681MDO1	680	8 x 12	5	1.70	1.39	1.02	.87
647-PLE0G821MDO1	PLE0G821MDO1	820	10 x 13	5	1.83	1.51	1.02	.912
647-PLE0G122MDO1	PLE0G122MDO1	1200	10 x 13	5	1.93	1.59	1.21	1.03
6.3V								
647-PLF0J471MDO1	PLF0J471MDO1	470	8 x 12	5	1.70	1.39	1.02	.87
647-PLF0J681MDO1	PLF0J681MDO1	680	10 x 13	5	1.75	1.44	1.02	.912
647-PLF0J821MDO1	PLF0J821MDO1	820	10 x 13	5	1.93	1.59	1.21	1.03

LF SERIES - RADIAL LEAD TYPE, STANDARD

- Features:**
- Ultra Low ESR
 - High ripple current
 - Load life of 2000 hours at 105°C
 - Lead free reflow soldering condition at 260°C

- Specifications:**
- Temperature Range: -55 to +105°C
 - Tolerance: ±20% at 120Hz, 20°C

For quantities of 1000 and up, call for quote.

MOUSER STOCK NO.	Nichicon Part Number	Value (μF)	Case Size D x L (mm) (Max)	ESR (at 100kHz 20°C)	Price Each			
					1	10	100	500
2.5V								
647-PLF0E561MCO1	PLF0E561MCO1	560	8 x 9	6	1.02	.76	.50	.429
647-PLF0E681MDO1	PLF0E681MDO1	680	8 x 12	6	1.06	.79	.518	.444
647-PLF0E821MCO6	PLF0E821MCO6	820	8 x 9	7	1.00	.79	.53	.45
647-PLF0E821MDO1	PLF0E821MDO1	820	8 x 12	6	1.02	.80	.539	.459
647-PLF0E102MDO1	PLF0E102MDO1	1000	10 x 13	7	1.09	.83	.631	.541
4.0V								
647-PLF0G561MCO6	PLF0G561MCO6	560	8 x 9	7	1.11	.82	.545	.466
647-PLF0G561MDO1	PLF0G561MDO1	560	8 x 12	7	1.11	.82	.546	.467
647-PLF0G681MDO1	PLF0G681MDO1	680	8 x 12	6	1.02	.79	.537	.456
647-PLF0G821MDO1	PLF0G821MDO1	820	10 x 13	6	1.10	.87	.58	.493
6.3V								
647-PLF0J471MCO6	PLF0J471MCO6	470	8 x 9	7	1.21	.96	.643	.547
647-PLF0J471MDO1	PLF0J471MDO1	470	8 x 12	7	1.18	.93	.622	.529
647-PLF0J681MDO1	PLF0J681MDO1	680	10 x 13	6	1.45	1.14	.829	.647
10V								
647-PLF1A271MDO1	PLF1A271MDO1	270	8 x 12	8	1.12	.88	.592	.503
647-PLF1A471MDO1	PLF1A471MDO1	470	10 x 13	7	1.30	1.02	.769	.582
16V								
647-PLF1C271MDO1	PLF1C271MDO1	270	8 x 12	9	1.15	.88	.616	.521
647-PLF1C471MDO1	PLF1C471MDO1	470	10 x 13	9	1.61	1.26	.849	.722