

PIHER Trimmer Potentiometers

PIHER

PIHER 10MM CERMET TRIMMERS

Specifications:

- Power rating: 0.33W
- Temperature range: -40°C to +90°C
- Mechanical rotation: 235°±5°
- Electrical rotation: 220°±20°
- Linear taper
- Tolerance: ±20%

Features:

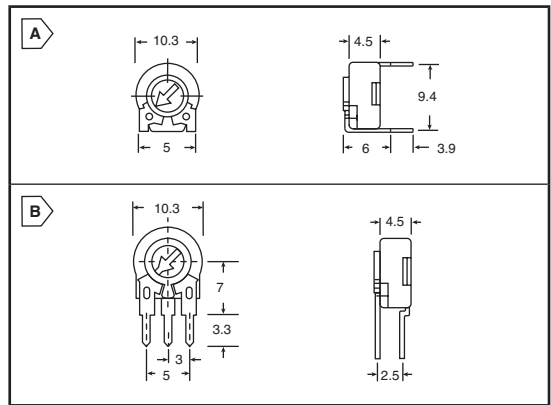
- Cermet resistive element
- Dust proof enclosure
- Plastic material according to UL94V-0
- Alumina substrate

Available upon Request:

- Wiper positioned at 50% or fully clockwise
- Supplied in magazines for automatic insertion
- Long life model for low cost control potentiometers applications
- Self extinguishable plastic UL 94V-0
- Cut track option
- Special tapers
- Mechanical detents
- Low and extra low torque versions
- Special switch option

Price Each					
1	100	500	1000	2000	4000
.85	.73	.68	.64	.61	Call

DIMENSIONS: mm



MOUSER STOCK NO.	Piher Part No.	Fig.
Horizontal Mount/Vertical Adjust		
531-PTC10V-100	PTC10LV10-101A2020	A
531-PTC10V-200	PTC10LV10-201A2020	A
531-PTC10V-500	PTC10LV10-501A2020	A
531-PTC10V-1K	PTC10LV10-102A202	A
531-PTC10V-2K	PTC10LV10-202A2020	A
531-PTC10V-2.5K	PTC10LV10-252A2020	A
531-PTC10V-5K	PTC10LV10-502A2020	A
531-PTC10V-10K	PTC10LV10-103A2020	A
531-PTC10V-20K	PTC10LV10-203A2020	A
531-PTC10V-25K	PTC10LV10-253A2020	A
531-PTC10V-50K	PTC10LV10-503A2020	A
531-PTC10V-100K	PTC10LV10-104A2020	A
531-PTC10V-200K	PTC10LV10-204A2020	A
531-PTC10V-250K	PTC10LV10-254A2020	A
531-PTC10V-500K	PTC10LV10-504A2020	A

MOUSER STOCK NO.	Piher Part No.	Fig.
Vertical Mount/Horizontal Adjust		
531-PTC10H-100	PTC10LH01-101A2020	B
531-PTC10H-200	PTC10LH01-201A2020	B
531-PTC10H-500	PTC10LH01-501A2020	B
531-PTC10H-1K	PTC10LH01-102A2020	B
531-PTC10H-2K	PTC10LH01-202A2020	B
531-PTC10H-2.5K	PTC10LH01-252A2020	B
531-PTC10H-5K	PTC10LH01-502A2020	B
531-PTC10H-10K	PTC10LH01-103A2020	B
531-PTC10H-20K	PTC10LH01-203A2020	B
531-PTC10H-25K	PTC10LH01-253A2020	B
531-PTC10H-50K	PTC10LH01-503A2020	B
531-PTC10H-100K	PTC10LH01-104A2020	B
531-PTC10H-200K	PTC10LH01-204A2020	B
531-PTC10H-250K	PTC10LH01-254A2020	B
531-PTC10H-500K	PTC10LH01-504A2020	B

Single-Turn Trimmers

PIHER 15MM CARBON TRIMMERS

Specifications:

- Temperature range: -25°C to +70°C (-13°F to 158°F)
- Residual resistance: ≤3% Rn (3Ω min.)
- Tolerance: 100Ω-1mΩ ±20%
- Voltage max.: 250VDC (lin) 125VDC (no lin)
- Nominal power: 50°C (122°F), 0.25W (lin) 0.12W (no lin)

- Power rating: 0.25W
- Taper: Linear
- Electrical rotation: 250° ±20°
- Mechanical rotation: 265° to ±5°

Available upon Request:

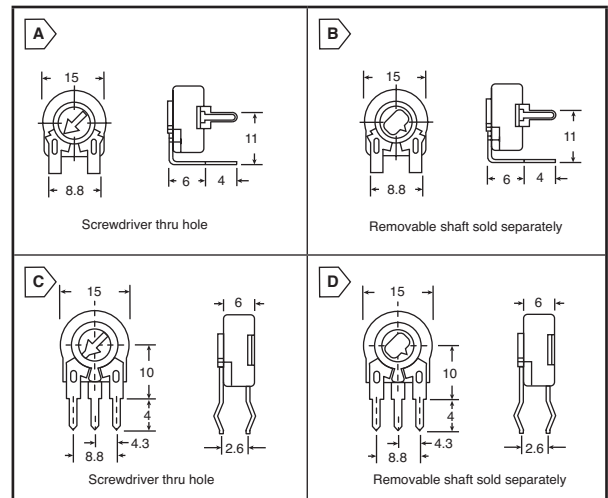
- Supplied in magazines for automatic insertion
- Wiper positioned at 50% or fully clockwise
- Long life model for low cost control potentiometers applications
- Self extinguishable plastic UL 94V-0
- Cut track option
- Special tapers
- Mechanical detents

Features:

- Carbon resistive element
- Dust proof enclosure
- Polyester substrate

Price Each					
1	100	500	1000	2000	4000
.50	.41	.38	.34	.33	Call

DIMENSIONS: mm



MOUSER STOCK NO.	Piher Part No.	Fig.
Horizontal Mount/Vertical Adjust		
531-PT15D-100	PT15LV18-101A2020	A
531-PT15D-200	PT15LV18-201A2020	A
531-PT15D-250	PT15LV18-251A2020	A
531-PT15D-500	PT15LV18-501A2020	A
531-PT15D-1K	PT15LV18-102A2020	A
531-PT15D-2K	PT15LV18-202A2020	A
531-PT15D-2.5K	PT15LV18-252A2020	A
531-PT15D-5K	PT15LV18-502A2020	A
531-PT15D-10K	PT15LV18-103A2020	A
531-PT15D-20K	PT15LV18-203A2020	A
531-PT15D-25K	PT15LV18-253A2020	A
531-PT15D-50K	PT15LV18-503A2020	A
531-PT15D-100K	PT15LV18-104A2020	A
531-PT15D-200K	PT15LV18-204A2020	A
531-PT15D-250K	PT15LV18-254A2020	A
531-PT15D-500K	PT15LV18-504A2020	A
531-PT15D-1M	PT15LV18-105A2020	A
531-PT15D-2M	PT15LV18-205A3030	A
531-PT15D-2.5M	PT15LV18-255A3030	A
531-PT15D-5M	PT15LV18-505A3030	A
531-PT15NV-10K	PT15NV18-103A2020	B
531-PT15NV-25K	PT15NV18-253A2020	B
531-PT15NV-50K	PT15NV18-503A2020	B
531-PT15NV-100K	PT15NV18-104A2020	B

MOUSER STOCK NO.	Piher Part No.	Fig.
Vertical Mount/Horizontal Adjust		
531-PT15B-100	PT15LH06-101A2020	C
531-PT15B-200	PT15LH06-201A2020	C
531-PT15B-250	PT15LH06-251A2020	C
531-PT15B-500	PT15LH06-501A2020	C
531-PT15B-1K	PT15LH06-102A2020	C
531-PT15B-2K	PT15LH06-202A2020	C
531-PT15B-2.5K	PT15LH06-252A2020	C
531-PT15B-5K	PT15LH06-502A2020	C
531-PT15B-10K	PT15LH06-103A2020	C
531-PT15B-20K	PT15LH06-203A2020	C
531-PT15B-25K	PT15LH06-253A2020	C
531-PT15B-50K	PT15LH06-503A2020	C
531-PT15B-100K	PT15LH06-104A2020	C
531-PT15B-200K	PT15LH06-204A2020	C
531-PT15B-250K	PT15LH06-254A2020	C
531-PT15B-500K	PT15LH06-504A2020	C
531-PT15B-1M	PT15LH06-105A2020	C
531-PT15B-2M	PT15LH06-205A3030	C
531-PT15B-2.5M	PT15LH06-255A3030	C
531-PT15B-5M	PT15LH06-505A3030	C
531-PT15NH-10K	PT15NH06-103A2020	D
531-PT15NH-1K	PT15NH06-102A2020	D
531-PT15NH-2M	PT15NH06-205A3030	D
531-PT15NH-50K	PT15NH06-503A2020	D

PIHER 15MM CERMET TRIMMERS

Specifications:

- Mechanical rotation angle: 265° ± 5°
- Electrical rotation angle: 250° ± 20°
- Torque: 0.5 to 2.5Ncm. (0.7 to 3.4 in-oz)
- Stop torque: > 10Ncm. (>14 in-oz)
- Tolerance: 100Ω < Rn < 1M Ω ±20%
- Max. voltage: 250VDC (lin) 125VDC (no lin)
- Nominal Power: 70°C (158°F) 0.50W (lin) 0.25W (no lin)
- Taper: Linear
- Residual resistance: ≤5.10 Rn (2Ω min.)
- Equivalent noise resistance: ≤ 3% Rn (3Ω min.)
- Operating temperature: -40°C + 90°C (-40°F + 194°F)

Features:

- Cermet resistive element
- Dust proof enclosure
- Plastic material according to UL94V-0
- Alumina substrate

Available upon Request:

- Wiper positioned at 50% or fully clockwise
- Long life model for low cost control pot. applications
- Supplied in magazines for automatic insertion
- Low torque option
- Available as SPDT switch
- Special tapers
- Mechanical detents

For quantities greater than listed, call for quote.

MOUSER STOCK NO.	Piher Part No.	Fig.	Price Each				
			1	25	50	100	200
531-PTC15LH06-250	PTC15LH06-251A2020	A	1.21	1.17	1.14	1.11	1.08
531-PTC15NV18-1K	PTC15NV18-102A2020	B	1.26	1.23	1.19	1.16	1.13
Shaft							
531-5219CR	XEJPL5219CR	C	.38	.34	.30	.28	.259

