

BOURNS Fast Acting and Slow Blow Fuses



BOURNS SINGLE BLOW SMD FUSES

RoHS Compliant This product is RoHS compliant.

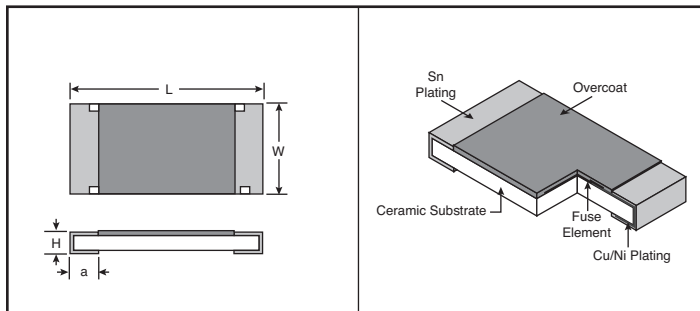
Features:

- Single blow fuse for over current protection
- UL certified
- Surface mount packaging for automated assembly
- Halogen free

Applications:

- Portable memory
- LCD monitors
- Disk drives
- PDAs
- Digital cameras
- DVDs
- Cell phones
- Industrial controllers

Case Size	DIMENSIONS: mm			
	L	W	H	a
0402	1.0±0.1	0.52±0.05	0.35±0.05	0.25±0.1
0603	1.6±0.1	0.8±0.1	0.45±0.1	0.35±0.2
1206	3.2±0.1	1.55±0.1	0.6±0.1	0.5±0.2



Fast Acting Fuses

For quantities greater than listed, call for quote.

MOUSER STOCK NO.	Bourns Part No.	Rated Current (A)	Rated Voltage (V)	Price Each				Reel Qty.	Price Per Piece
				1	10	100	250		
0402 Package Size									
652-SF-0402F050-2	SF-0402F050-2	0.50	24	.68	.43	.32	.29	10000	.25
652-SF-0402F075-2	SF-0402F075-2	0.75	24	.68	.43	.32	.29	10000	.25
652-SF-0402F080-2	SF-0402F080-2	0.80	24	.68	.43	.32	.29	10000	.25
652-SF-0402F100-2	SF-0402F100-2	1	24	.68	.43	.32	.29	10000	.25
652-SF-0402F125-2	SF-0402F125-2	1.25	24	.68	.43	.32	.29	10000	.25
652-SF-0402F150-2	SF-0402F150-2	1.50	24	.68	.43	.32	.29	10000	.25
652-SF-0402F160-2	SF-0402F160-2	1.60	24	.68	.43	.32	.29	10000	.25
652-SF-0402F200-2	SF-0402F200-2	2	24	.68	.43	.32	.29	10000	.25
652-SF-0402F250-2	SF-0402F250-2	2.50	24	.68	.43	.32	.29	10000	.25
652-SF-0402F300-2	SF-0402F300-2	3	24	.68	.43	.32	.29	10000	.25
652-SF-0402F315-2	SF-0402F315-2	3.15	24	.68	.43	.32	.29	10000	.25
652-SF-0402F400-2	SF-0402F400-2	4	24	.68	.43	.32	.29	10000	.25
0603 Package Size									
652-SF-0603F050-2	SF-0603F050-2	0.50	50	.57	.36	.27	.25	5000	.22
652-SF-0603F063-2	SF-0603F063-2	0.63	32	.57	.36	.27	.25	5000	.22
652-SF-0603F080-2	SF-0603F080-2	0.80	32	.57	.36	.27	.25	5000	.22
652-SF-0603F100-2	SF-0603F100-2	1	32	.57	.36	.27	.25	5000	.22
652-SF-0603F125-2	SF-0603F125-2	1.25	32	.57	.36	.27	.25	5000	.22
652-SF-0603F150-2	SF-0603F150-2	1.50	32	.57	.36	.27	.25	5000	.22
652-SF-0603F160-2	SF-0603F160-2	1.60	32	.57	.36	.27	.25	5000	.22
652-SF-0603F200-2	SF-0603F200-2	2	32	.57	.36	.27	.25	5000	.22
652-SF-0603F250-2	SF-0603F250-2	2.50	24	.57	.36	.27	.25	5000	.22
652-SF-0603F300-2	SF-0603F300-2	3	24	.57	.36	.27	.25	5000	.22
652-SF-0603F315-2	SF-0603F315-2	3.15	24	.57	.36	.27	.25	5000	.22
652-SF-0603F400-2	SF-0603F400-2	4	32	.57	.36	.27	.25	5000	.22
652-SF-0603F500-2	SF-0603F500-2	5	32	.57	.36	.27	.25	5000	.22
1206 Package Size									
652-SF-1206F050-2	SF-1206F050-2	0.50	63	.65	.40	.30	.28	5000	.24
652-SF-1206F080-2	SF-1206F080-2	0.80	63	.65	.40	.30	.28	5000	.24
652-SF-1206F100-2	SF-1206F100-2	1	63	.65	.40	.30	.28	5000	.24
652-SF-1206F125-2	SF-1206F125-2	1.25	63	.65	.40	.30	.28	5000	.24
652-SF-1206F150-2	SF-1206F150-2	1.50	63	.65	.40	.30	.28	5000	.24
652-SF-1206F200-2	SF-1206F200-2	2	63	.65	.40	.30	.28	5000	.24
652-SF-1206F250-2	SF-1206F250-2	2.50	32	.65	.40	.30	.28	5000	.24
652-SF-1206F300-2	SF-1206F300-2	3	32	.80	.46	.33	.30	5000	.242
652-SF-1206F400-2	SF-1206F400-2	4	24	.65	.40	.34	.31	5000	.26
652-SF-1206F500-2	SF-1206F500-2	5	24	.79	.47	.33	.30	5000	.242
652-SF-1206F700-2	SF-1206F700-2	7	24	.65	.40	.30	.28	5000	.24

Slow Blow Fuses

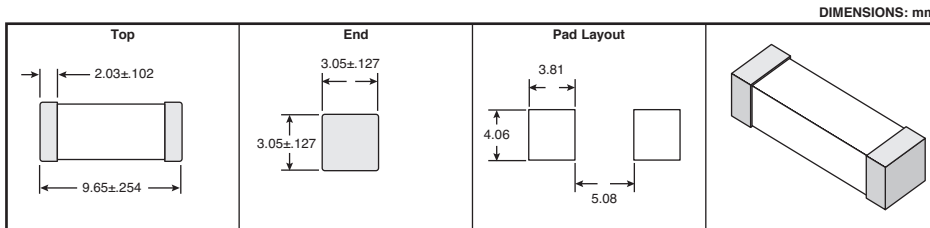
For quantities greater than listed, call for quote.

MOUSER STOCK NO.	Bourns Part No.	Rated Current (A)	Rated Voltage (V)	Price Each				Reel Qty.	Price Per Piece
				1	10	100	250		
0402 Package Size									
652-SF-0402S050-2	SF-0402S050-2	0.50	24	.70	.45	.34	.31	10000	.27
652-SF-0402S080-2	SF-0402S080-2	0.80	24	.70	.45	.34	.31	10000	.27
652-SF-0402S100-2	SF-0402S100-2	1	24	.70	.45	.34	.31	10000	.27
652-SF-0402S125-2	SF-0402S125-2	1.25	24	.70	.45	.34	.31	10000	.27
652-SF-0402S150-2	SF-0402S150-2	1.50	24	.70	.45	.34	.31	10000	.27
652-SF-0402S160-2	SF-0402S160-2	1.60	24	.70	.45	.34	.31	10000	.27
652-SF-0402S200-2	SF-0402S200-2	2	24	.70	.45	.34	.31	10000	.27
652-SF-0402S250-2	SF-0402S250-2	2.50	24	.70	.45	.34	.31	10000	.27
652-SF-0402S300-2	SF-0402S300-2	3	24	.70	.45	.34	.31	10000	.27
652-SF-0402S315-2	SF-0402S315-2	3.15	24	.70	.45	.34	.31	10000	.27
652-SF-0402S400-2	SF-0402S400-2	4	24	.70	.45	.34	.31	10000	.27
0603 Package Size									
652-SF-0603S050-2	SF-0603S050-2	0.50	50	.61	.38	.28	.26	5000	.23
652-SF-0603S063-2	SF-0603S063-2	0.63	32	.61	.38	.28	.26	5000	.23
652-SF-0603S080-2	SF-0603S080-2	0.80	32	.61	.38	.28	.26	5000	.23
652-SF-0603S100-2	SF-0603S100-2	1	32	.61	.38	.28	.26	5000	.23
652-SF-0603S125-2	SF-0603S125-2	1.25	32	.61	.38	.28	.26	5000	.23
652-SF-0603S150-2	SF-0603S150-2	1.50	32	.61	.38	.28	.26	5000	.23
652-SF-0603S160-2	SF-0603S160-2	1.60	32	.61	.38	.28	.26	5000	.23
652-SF-0603S200-2	SF-0603S200-2	2	32	.61	.38	.28	.26	5000	.23
652-SF-0603S250-2	SF-0603S250-2	2.50	32	.61	.38	.28	.26	5000	.23
652-SF-0603S300-2	SF-0603S300-2	3	32	.61	.38	.28	.26	5000	.23
652-SF-0603S315-2	SF-0603S315-2	3.15	32	.61	.38	.28	.26	5000	.23
652-SF-0603S400-2	SF-0603S400-2	4	32	.61	.38	.28	.26	5000	.23
652-SF-0603S500-2	SF-0603S500-2	5	32	.61	.38	.28	.26	5000	.23
1206 Package Size									
652-SF-1206S050-2	SF-1206S050-2	0.50	63	.68	.43	.32	.29	5000	.26
652-SF-1206S080-2	SF-1206S080-2	0.80	63	.68	.43	.32	.29	5000	.26
652-SF-1206S100-2	SF-1206S100-2	1	63	.68	.43	.32	.29	5000	.26
652-SF-1206S125-2	SF-1206S125-2	1.25	63	.68	.43	.32	.29	5000	.26
652-SF-1206S150-2	SF-1206S150-2	1.50	63	.68	.43	.32	.29	5000	.26
652-SF-1206S200-2	SF-1206S200-2	2	63	.68	.43	.32	.29	5000	.26
652-SF-1206S250-2	SF-1206S250-2	2.50	32	.68	.43	.32	.29	5000	.26
652-SF-1206S300-2	SF-1206S300-2	3	32	.68	.43	.32	.29	5000	.26
652-SF-1206S400-2	SF-1206S400-2	4	24	.68	.43	.32	.29	5000	.26
652-SF-1206S500-2	SF-1206S500-2	5	24	.68	.43	.32	.29	5000	.26
652-SF-1206S700-2	SF-1206S700-2	7	24	.68	.43	.32	.29	5000	.26

BOURNS TELEFUSE™ SMD POWER CROSS PROTECTION FUSES

Features:

- For use in telecommunication circuit applications requiring low current protection with high surge tolerance
- Overcurrent protection to Telcordia GR-1089-CORE Issue 4 (B1250T only) & UL 1950/60950
- Bourns® TISP® products are recommended for the overvoltage section of the circuit



For quantities greater than listed, call for quote.

MOUSER STOCK NO.	Bourns Part No.	Ampere Rating (A)	Voltage Rating (VRMS)	Price Each				Reel Qty.	Price Per Piece
				1	25	100	200		
652-B0500T	B0500T	0.5	600	.70	.65	.55	.53	2000	.40
652-B1250T	B1250T	1.25	600	.70	.65	.55	.53	2000	.40
652-B2000T	B2000T	2	600	.70	.65	.55	.53	2000	.40