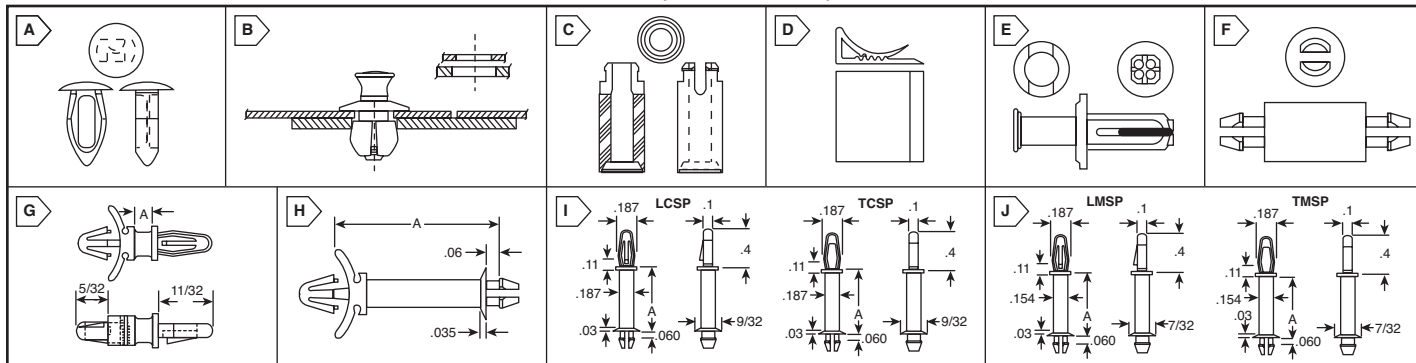


EAGLE PLASTIC DEVICES Nylon PCB Hardware



RoHS Compliant This product is RoHS compliant.



NYLON ARROW CLIPS

Arrow clips are reusable, molded nylon fasteners that feature an inexpensive fast method to hand assemble metal, wood, plastic, composition, or other thin gauge materials. The specially designed body compresses as it is forced through a prepunched hole and springs back to its original shape to lock the assembled parts securely. They provide an economical, electrical insulating, vibration, abrasion, and corrosion resistant connection.

For quantities greater than 10,000, call for quote.

MOUSER STOCK NO.	Fig.	Panel Thickness Range	Length	Hole Size	Head Thickness	Head Dia.	Price Each			
							1	100	1000	5000
561-AC020	A	.062/.125	0.33	.120/.135	0.04	0.27	.11	.09	.08	.06
561-AC002	A	.062/.125	0.395	.131/.135	0.06	0.27	.09	.07	.053	.042
561-AC003	A	.062/.125	0.39	.151/.161	0.04	0.28	.11	.08	.064	.053
561-AC007	A	.062/.125	0.45	.213/.223	0.06	0.37	.09	.07	.053	.042
561-AC023	A	.062/.140	0.45	.335/.345	0.05	0.866	.26	.21	.16	.117
561-AC011	A	.165/.185	0.525	.182/.192	0.06	0.375	.09	.07	.05	.04

SNAP LATCHES

Snap latches provide low total installed cost as a replacement for screws, nuts, and bolts for panel assemblies. The quick snap plunger feature allows for easy installation and removal by hand, no tools required. They are reusable and are manufactured from durable lightweight nylon 6/6 material.

For quantities greater than 10,000, call for quote.

MOUSER STOCK NO.	Fig.	Hole Dia. (Removable Panel)	Hole Dia. (Fixed Structure)	Length	Plunger Height	Plunger Head Dia.	Price Each			
							1	100	1000	5000
561-SL0809	B	.242-.238	.254-.250	0.38	0.10	0.28	.17	.14	.10	.08

STACKABLE SNAP-IN STANDOFFS

Stackable snap-in standoffs are available in #4, #6, and #8 screw sizes from 1/8" long to 1" long. Standoffs are molded in Nylon 6/6 material. Part snaps into the board and maintains spacing when the screw is removed. Parts are stackable, self-aligning, and self-retaining to provide screw insulation in multi-level applications.

For quantities greater than 10,000, call for quote.

MOUSER STOCK NO.	Fig.	Screw Size	Spacer Length	Mounting Hole Dia.	Inside Dia. Spacer	Outside Dia. Spacer	Price Each			
							1	100	1000	5000
561-STS4012	C	#4	0.125	0.187	0.125	0.26	.25	.19	.13	.11
561-STS4018	C	#4	0.1875	0.187	0.125	0.26	.25	.17	.10	.09
561-STS4025	C	#4	0.25	0.187	0.125	0.26	.27	.19	.12	.11
561-STS4037	C	#4	0.375	0.187	0.125	0.26	.27	.19	.12	.10
561-STS4043	C	#4	0.4375	0.187	0.125	0.26	.30	.22	.146	.125
561-STS4050	C	#4	0.5	0.187	0.125	0.26	.30	.22	.147	.126
561-STS4062	C	#4	0.625	0.187	0.125	0.26	.30	.22	.167	.136
561-STS6025	C	#6	0.25	0.234	0.153	0.3125	.29	.21	.14	.11
561-STS6031	C	#6	0.3125	0.234	0.153	0.3125	.30	.22	.147	.115
561-STS6037	C	#6	0.375	0.234	0.153	0.3125	.30	.22	.147	.115
561-STS6100	C	#6	1	0.234	0.153	0.3125	.38	.28	.21	.147
561-STS8025	C	#8	0.25	0.234	0.169	0.3125	.29	.21	.136	.105
561-STS8031	C	#8	0.3125	0.234	0.169	0.3125	.30	.22	.147	.115
561-STS8062	C	#8	0.625	0.234	0.169	0.3125	.33	.25	.178	.125
561-STS8100	C	#8	1	0.234	0.169	0.3125	.38	.28	.21	.168

FLAT CABLE CLAMPS

These flat cable clamps are made of PVC backed with adhesive tape for routing flat cable neatly and firmly. Insert your cable into the clamp and your job is done.

For quantities greater than 10,000, call for quote.

MOUSER STOCK NO.	Fig.	Length	Width	Height	Color	Price Each			
						1	100	1000	5000
561-FCC0591	D	0.591	0.984	0.394	Gray	.18	.13	.11	.09
561-FCC1102	D	1.1	0.984	0.394	Gray	.18	.16	.13	.11

REMOVABLE RIVETS

Removable rivets are two-piece nylon rivets which can be removed by retracting the pin, and then the body. The body incorporates a slot in line with the pin so that the pin can be removed by inserting a small screwdriver, or other sharp edge, or even a fingernail underneath the head of the pin.

For quantities greater than 10,000, call for quote.

MOUSER STOCK NO.	Fig.	Panel Thickness	Length	Hole Dia.	Head Thickness	Body Dia.	Price Each			
							1	100	1000	5000
561-RR19063	E	.0625	.5	.188	.07	.375	.31	.24	.182	.128
561-RR19125	E	.125	.5	.188	.07	.375	.31	.24	.182	.128
561-RR25125	E	.125	.5	.25	.07	.4375	.29	.23	.17	.12
561-RR25188	E	.1875	.5	.25	.07	.4375	.31	.24	.182	.128
561-RR25063	E	.0625	.48	.25	.07	.4375	.31	.24	.182	.128

METRIC PCB SUPPORTS

Economical locking spacers eliminate screws, nuts, and lock washers in mounting P.C. boards.

- Designed for 2.5MM diameter holes and 1.57MM thick panels

For quantities greater than 10,000, call for quote.

MOUSER STOCK NO.	Fig.	Description	Price Each			
			1	100	1000	5000
561-MMP002	F	2mm Mini Post	.11	.09	.05	.04
561-MMP003	F	3mm Mini Post	.11	.09	.05	.04
561-MMP004	F	4mm Mini Post	.11	.09	.05	.04
561-MMP005	F	5mm Mini Post	.11	.09	.05	.04
561-MMP006	F	6mm Mini Post	.11	.09	.05	.04
561-MMP008	F	8mm Mini Post	.12	.10	.064	.042
561-MMP010	F	10mm Mini Post	.12	.10	.06	.04
561-MMP012	F	12mm Mini Post	.12	.10	.06	.04
561-MMP014	F	14mm Mini Post	.12	.10	.06	.04
561-MMP022	F	22mm Mini Post	.12	.10	.064	.042

NYLON PCB SUPPORTS

For quantities greater than 10,000, call for quote.

MOUSER STOCK NO.	Fig.	MSP End Fit	Locking End Fit	Panel Thickness	Dim.: in. A	Price Each			
						1	100	1000	5000
MLLP Series									
561-MLLP187	G	.125"	.125"	1/16"	0.187	.41	.27	.17	.15
561-MLLP250	G	.125"	.125"	1/16"	0.25	.43	.27	.17	.13
561-MLLP375	G	.125"	.125"	1/16"	0.375	.43	.29	.20	.15
561-MLLP437	G	.125"	.125"	1/16"	0.437	.43	.28	.181	.138
561-MLLP500	G	.125"	.125"	1/16"	0.5	.41	.28	.17	.13
561-MLLP625	G	.125"	.125"	1/16"	0.625	.41	.28	.17	.13
LSP Series									
561-LSP187	H	.156"	.187"	.030"/.0178"	0.307	.21	.14	.09	.07
561-LSP250	H	.156"	.187"	.030"/.0178"	0.365	.22	.14	.096	.074
561-LSP375	H	.156"	.187"	.030"/.0178"	0.495	.22	.15	.09	.07
561-LSP437	H	.156"	.187"	.030"/.0178"	0.557	.23	.16	.096	.075
LCSP and TCSP Series									
561-LCSP125	I	.156"	.156"	.030"/.0178"	0.125	.22	.14	.096	.074
561-LCSP375	I	.156"	.156"	.030"/.0178"	0.375	.23	.16	.096	.074
561-LCSP437	I	.156"	.156"	.030"/.0178"	0.437	.23	.16	.096	.075
561-LCSP625	I	.156"	.156"	.030"/.0178"	0.625	.23	.15	.09	.07
561-TCSP125	I	.156"	.156"	.030"/.0178"	0.125	.21	.14	.09	.07
LMSP and TMSP Series									
561-LMSP250	J	.156"	.125"	1/16"	0.25	.22	.14	.096	.074
561-LMSP375	J	.156"	.125"	1/16"	0.375	.23	.16	.096	.074
561-LMSP437	J	.156"	.125"	1/16"	0.437	.23	.16	.096	.075
561-TMSP250	J	.156"	.125"	1/16"	0.25	.22	.14	.096	.074
561-TMSP312	J	.156"	.125"	1/16"	0.312	.23	.14	.096	.074
561-TMSP437	J	.156"	.125"	1/16"	0.437	.23	.16	.096	.075