

# Pushwheel / Thumbwheel Switches

## C&K 3U SERIES THUMBWHEEL SWITCHES

### Features/Benefits:

- Most complete product offering in the industry
- Spacers available to fit most panel cutouts
- Front or rear mounting options

### Typical Applications:

- Test & measurement equipment
- Industrial equipment
- Computer devices



For quantities of 250 and up, call for quote.

MOUSER STOCK NO.	C&K Part No.	Fig.	Mounting Style	Terminations	Price Each			
					1	25	50	100
611-332110N00	332110N00	A	Rear mount	Solders pins with .100" spacing**	59.93	55.87	53.17	50.71

## C&K 3U SERIES TINY PUSHWHEEL SWITCHES

- Matte black housing
- Gloss black wheel
- Extended actuator
- White vertical characters
- Black pushbuttons
- No stops

For quantities of 250 and up, call for quote.

MOUSER STOCK NO.	C&K Part No.	Fig.	Description	Number of Positions	Price Each			
					1	25	50	100
611-3U0210000	3U0210000	B	BCD 1-2-4-8 without dust lens	0-9	12.80	7.65	7.60	7.52
611-3U0210002	3U0210002	B	BCD 1-2-4-8 with dust lens	0-9	12.80	8.00	7.91	7.85
611-113B02000	113B02000	---	Left end cap 3U series	---	.48	.445	.411	.379
611-114B02000	114B02000	---	Right end cap 3U series	---	.56	.42	.38	.34



RoHS Compliant

For quantities of 250 and up, call for quote.

### Assembly Screws (2 Required)

MOUSER STOCK NO.	C&K Part No.	Front Mount	Rear Mount	Price Each			
				1	25	50	100
611-412701000	412701000	3-4	3	3.05	2.71	2.29	2.12
611-412702000	412702000	5-7	4-6	2.10	1.99	1.81	1.76



RoHS Compliant

For quantities of 250 and up, call for quote.

### Accessories

MOUSER STOCK NO.	C&K Part No.	Description	Price Each			
			1	25	50	100
611-413402000	413402000	End plate, front mount (2 required)	1.22	1.18	1.11	1.07
611-413502000	413502000	Spacer, front mount	2.88	2.18	1.94	1.75
611-400802000	400802000	Spacer, rear mount	2.17	1.64	1.47	1.32
611-402900000	402900000	Stop pin, front and rear mount	.39	.30	.27	.24
611-403500000	403500000	Hex nut (2 required)	.35	.27	.24	.22
611-406100652	406100652	Hex nut driver	6.40	6.06	5.54	5.36

## CHERRY PA SERIES

- Front mounting
- Module dimensions: 7.62 x 15 x 18 mm
- Connection with Q.C. terminals or solder pins
- Black housing
- Mounting depth: 24 or 34.5mm



RoHS Compliant

For quantities of 500 and up, call for quote.

MOUSER STOCK NO.	Cherry Part No.	Fig.	Number of Positions	Read-Out	Output Code	Finish	Price Each			
							1	50	100	250
540-PACA-3000	PACA-3000	C	10	0-9	BCD	Matte	17.52	14.60	12.04	11.53
Accessories for PA Series							Description			
540-0609-0799	0609-0799						.69	.58	.50	.45
540-0609-0801	0609-0801						.69	.58	.50	.45
540-C2K0-P107	C2K0-P107						4.27	4.00	3.38	2.67

## CHERRY PB SERIES

- Front mounting
- Module dimensions: 6 x 18 x 15.6 mm
- Connection with solder pins
- Black housing
- Mounting depth: 19.5 mm



RoHS Compliant

For quantities of 500 and up, call for quote.

MOUSER STOCK NO.	Cherry Part No.	Fig.	Number of Positions	Read-Out	Output Code	Finish	Price Each			
							1	50	100	250
540-PBC1-E015	PBC1-E015	D	10	0-9	BCD w/PC Pins	Matte	9.86	7.88	6.51	5.91
Accessories for PB Series							Description			
540-0609-1346	0609-1346						.71	.52	.47	.38
540-0609-1347	0609-1347						.55	.48	.44	.40

## CHERRY PE SERIES

- Front mounting
- Module dimensions: 7.62 x 24 x 26 mm
- Connection with Q.C. terminals or solder pins
- Black housing
- Mounting depth: 32 or 42 mm



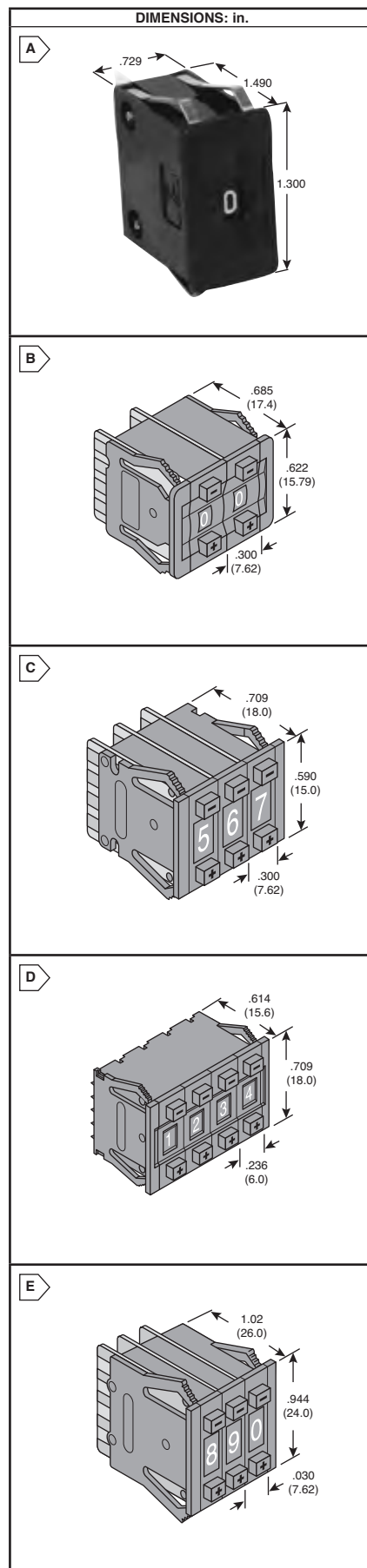
RoHS Compliant

For quantities of 500 and up, call for quote.

MOUSER STOCK NO.	Cherry Part No.	Fig.	Number of Positions	Read-Out	Output Code	Finish	Price Each			
							1	50	100	250
540-PECA-3000	PECA-3000	E	10	0-9	BCD	Matte	19.75	16.46	13.57	13.00
540-PEGA-3000	PEGA-3000	E	16	0-15	Hex	Matte	27.21	22.68	18.71	17.91
540-PEHA-3000	PEHA-3000	E	16	0-9,A-F	Hex*	Matte	26.88	22.40	18.48	17.69
Accessories for PE Series							Description			
540-0609-0754	0609-0754						.69	.58	.50	.45
540-0609-0756	0609-0756						.69	.58	.50	.45
540-C2R0-P111	C2R0-P111						4.56	4.27	3.61	2.85

\*: With extended board for diodes

© Copyright 2011 Mouser Electronics



Thumbwheel Switches